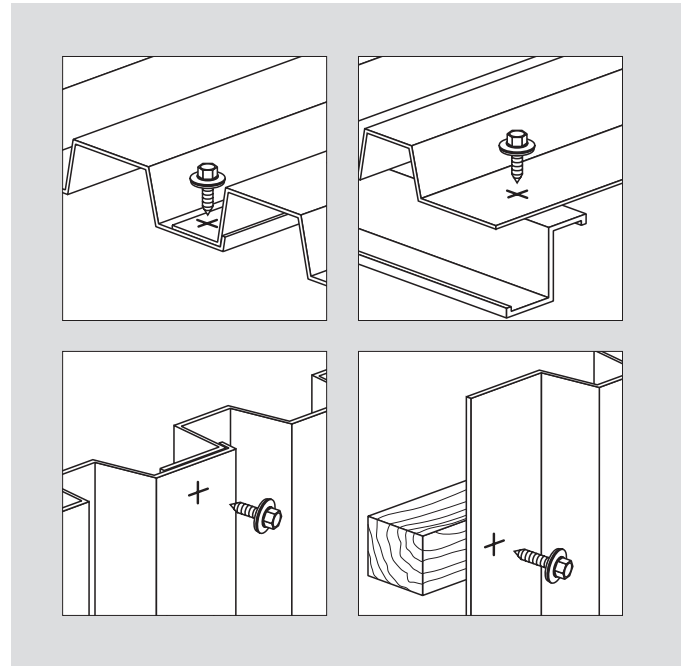
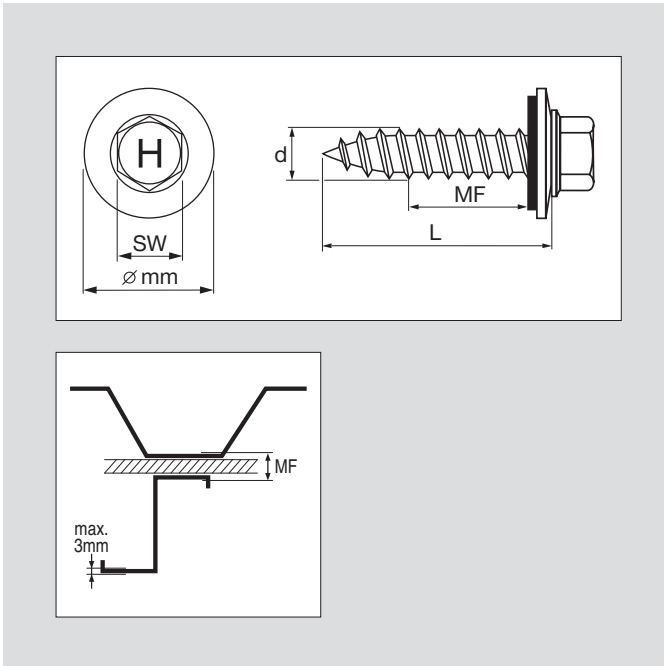


Content

9.1			Page
	Galvanized self-tapping screws (Ø16 mm)	S-MP 53 Z	93
9.2			
	Galvanized self-tapping screws (Ø16 mm)	S-MP 52 Z	94

9.1 Galvanized self-tapping screws (Ø16 mm) S-MP 53 Z

The universal self-tapping screw for thin materials and wood



Ordering description	Minimum thickness of base material	Thickness fastened range (MF) steel	Screw diameter (d)	Screw length (L)	Washer size	EPDM-thickness	Screw drive/recess type	Sales quantity	Item number
Self-tapping screw S-MP53Z 6,5x19		1.2 - 8 mm	6.5 mm	19 mm	16 mm	2 mm	Hexagon 3/8	500 pc	375288
Self-tapping screw S-MP53Z 6,5x25		1.2 - 14 mm	6.5 mm	25 mm	16 mm	2 mm	Hexagon 3/8	500 pc	375289
Self-tapping screw S-MP53Z 6,5x32		1.2 - 21 mm	6.5 mm	32 mm	16 mm	2 mm	Hexagon 3/8	250 pc	375290
Self-tapping screw S-MP53Z 6,5x38	wood, 26 mm	1.2 - 27 mm	6.5 mm	38 mm	16 mm	2 mm	Hexagon 3/8	250 pc	375291
Self-tapping screw S-MP53Z 6,5x50	wood, 26 mm	1.2 - 39 mm	6.5 mm	50 mm	16 mm	2 mm	Hexagon 3/8	250 pc	375292
Self-tapping screw S-MP53Z 6,5x63	wood, 26 mm	1.2 - 52 mm	6.5 mm	63 mm	16 mm	2 mm	Hexagon 3/8	100 pc	375293
Self-tapping screw S-MP53Z 6,5x100	wood, 26 mm	1.2 - 89 mm	6.5 mm	100 mm	16 mm	2 mm	Hexagon 3/8	100 pc	375287

Reference: max steel thickness 3 mm

Recommended pre-drill diameter for t_p

t _p /mm (Steel)	0.5 - 0.63	0.7 - 0.75	0.8 - 1.3	1.4 - 3.0
Pre-drill-Ø :	3.5 mm	4.0 mm	4.5 mm	5.0 mm

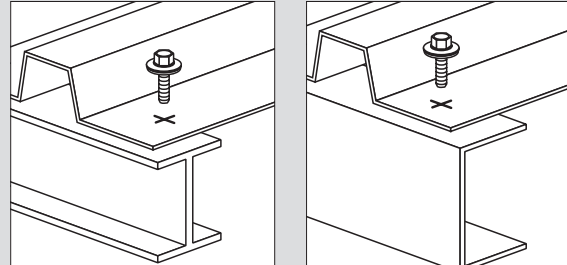
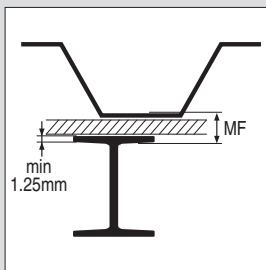
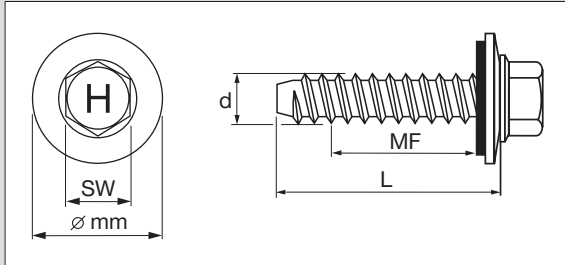
Pre-drill-Ø wood: 4.5 mm

Reference:

- Technical data see chapter 16.9

9.2 Galvanized self-tapping screws (Ø16 mm) S-MP 52 Z

The universal self-tapping screw for thick base materials



Ordering description	Minimum thickness of base material	Thickness fastened (MF)	Screw diameter (d)	Screw length (L)	Washer size	EPDM-thickness	Screw drive/recess type	Sales quantity	Item number
Self-tapping screw S-MP52Z 6,3x19	steel, 1.25 mm	1.9 - 10 mm	6.3 mm	19 mm	16 mm	2 mm	Hexagon 3/8	500 pc	375279
Self-tapping screw S-MP52Z 6,3x25	steel, 1.25 mm	1.9 - 16 mm	6.3 mm	25 mm	16 mm	2 mm	Hexagon 3/8	500 pc	375280
Self-tapping screw S-MP52Z 6,3x32	steel, 1.25 mm	1.9 - 23 mm	6.3 mm	32 mm	16 mm	2 mm	Hexagon 3/8	250 pc	375281
Self-tapping screw S-MP52Z 6,3x38	steel, 1.25 mm	1.9 - 29 mm	6.3 mm	38 mm	16 mm	2 mm	Hexagon 3/8	250 pc	375282
Self-tapping screw S-MP52Z 6,3x50	steel, 1.25 mm	1.9 - 41 mm	6.3 mm	50 mm	16 mm	2 mm	Hexagon 3/8	250 pc	375283
Self-tapping screw S-MP52Z 6,3x63	steel, 1.25 mm	1.9 - 54 mm	6.3 mm	63 mm	16 mm	2 mm	Hexagon 3/8	100 pc	375284
Self-tapping screw S-MP52Z 6,3x75	steel, 1.25 mm	1.9 - 66 mm	6.3 mm	75 mm	16 mm	2 mm	Hexagon 3/8	100 pc	375285
Self-tapping screw S-MP52Z 6,3x88	steel, 1.25 mm	1.9 - 79 mm	6.3 mm	88 mm	16 mm	2 mm	Hexagon 3/8	100 pc	375286
Self-tapping screw S-MP52Z 6,3x100	steel, 1.25 mm	1.9 - 91 mm	6.3 mm	100 mm	16 mm	2 mm	Hexagon 3/8	100 pc	375278

Reference: max steel thickness 12 mm

Recommended pre-drill diameter for t_i

t_i /mm (Steel)	1.25 - 1.5	1.6 - 4.0	4.1 - 6.9	≥ 7.0
Pre-drill-Ø	5.0 mm	5.3 mm	5.5 mm	5.7 mm

