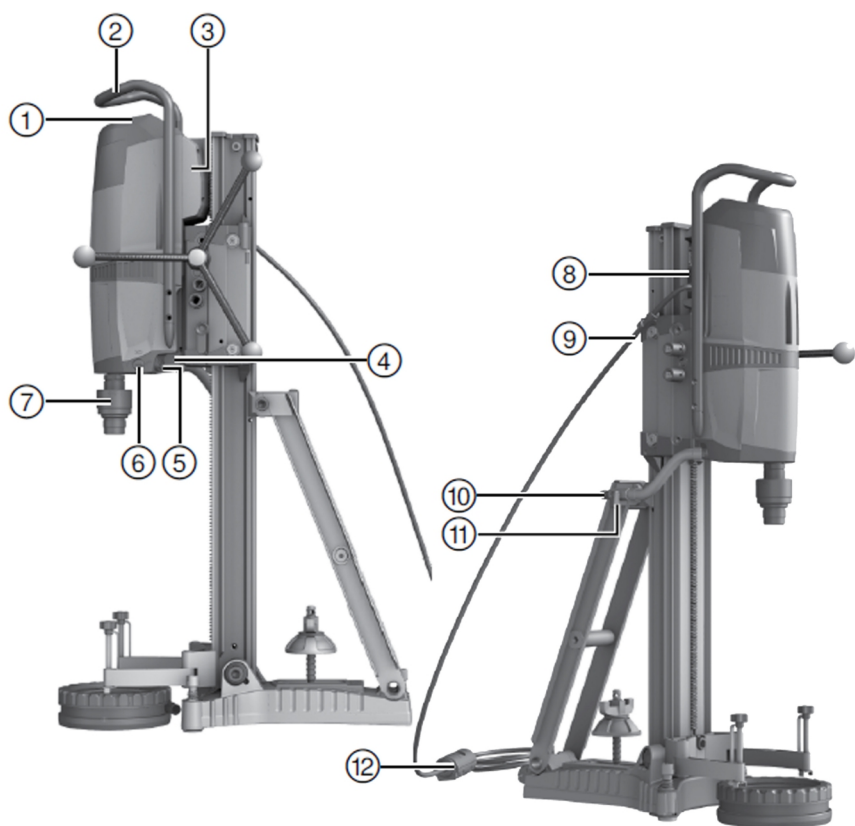


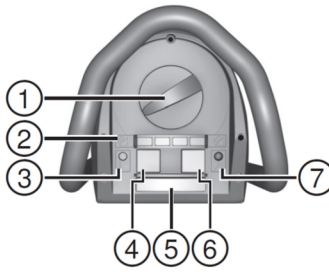


DD 350 (02)

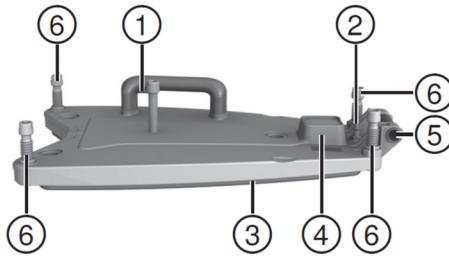
English	1
Français	19
Español	39
Português	59

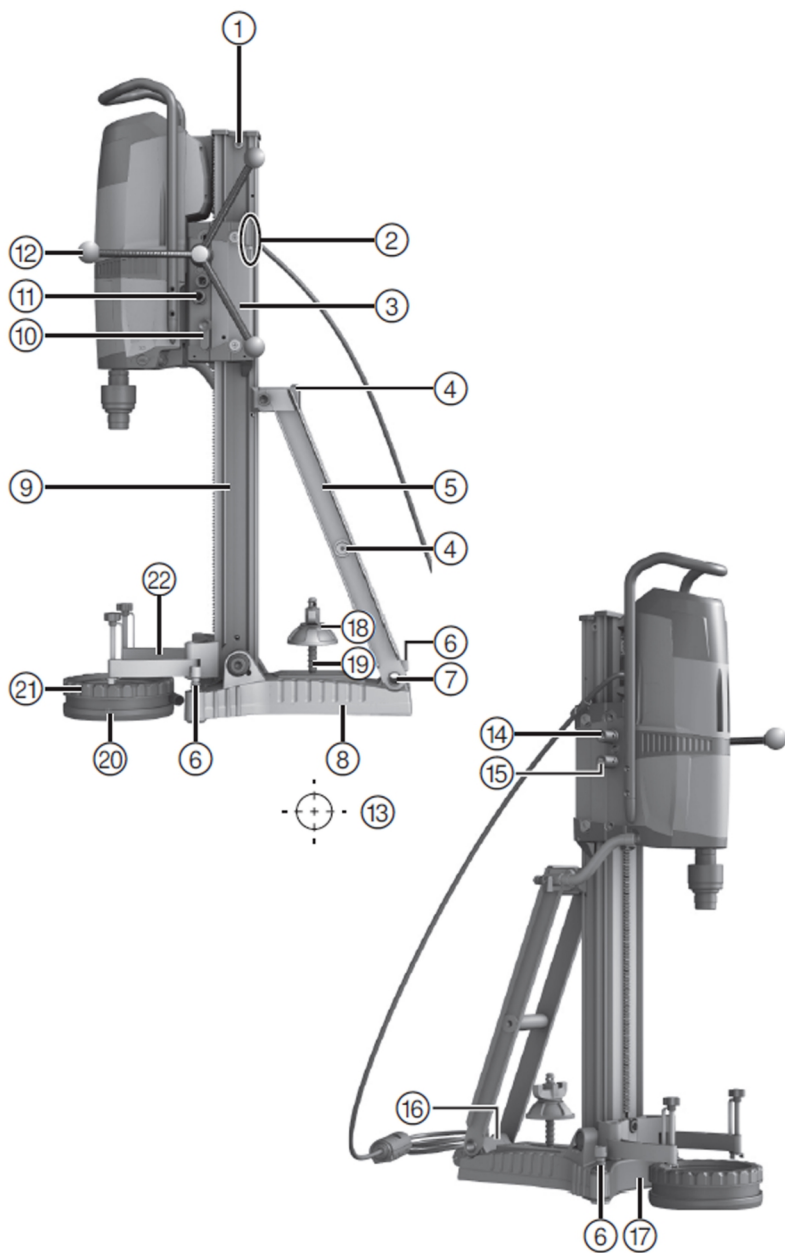


2

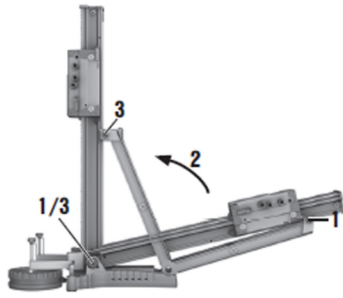


3

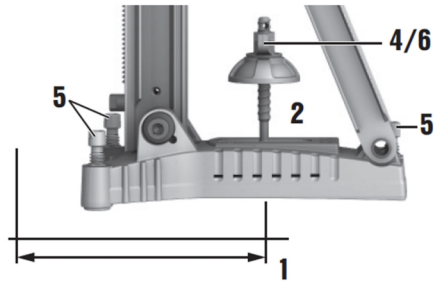




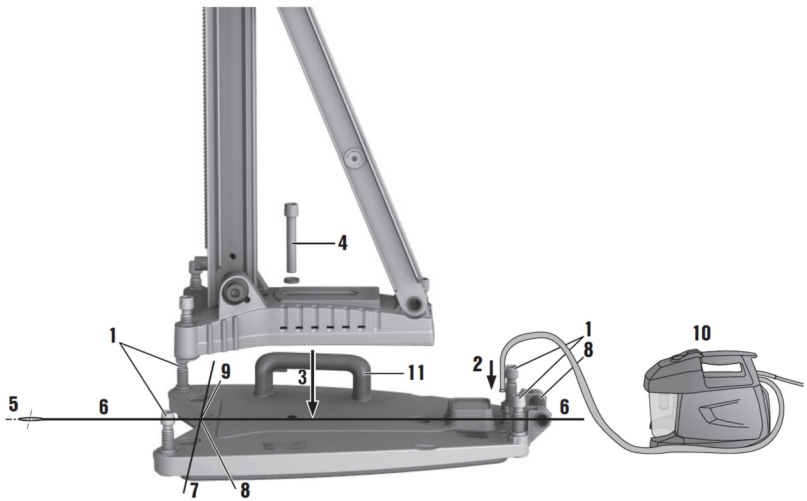
5



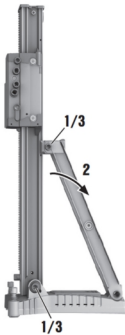
6



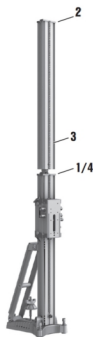
7



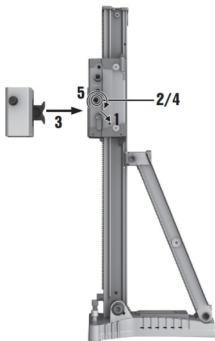
8



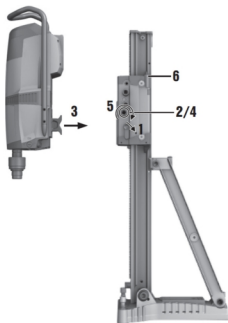
9



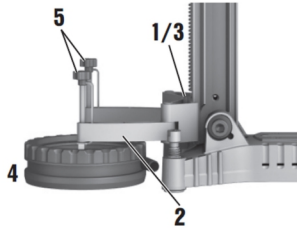
10



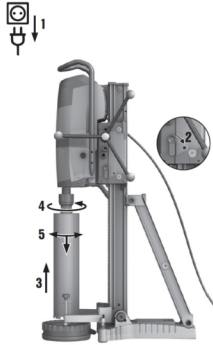
11



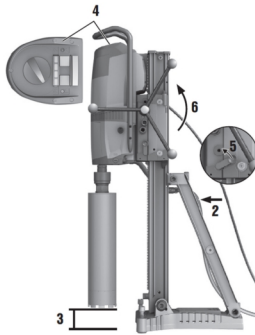
12



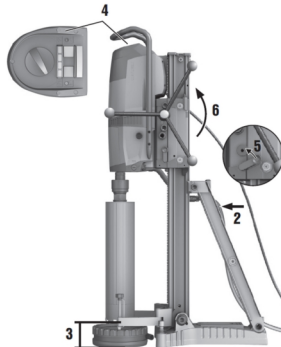
13



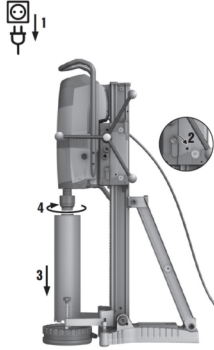
14



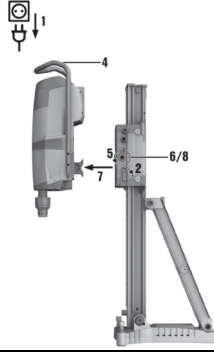
15



16



17



DD 350

en	Original operating instructions	1
fr	Mode d'emploi original	19
es	Manual de instrucciones original	39
pt	Manual de instruções original	59

Original operating instructions

1 Information about the operating instructions

1.1 About these operating instructions

- **Warning!** Read and understand all accompanying documentation, including but not limited to instructions, safety warnings, illustrations, and specifications provided with this product. Familiarize yourself with all the instructions, safety warnings, illustrations, specifications, components, and functions of the product before use. Failure to do so may result in electric shock, fire, and/or serious injury. Save all warnings and instructions for future reference.
- products are designed for professional users and only trained, authorized personnel are permitted to operate, service and maintain the products. This personnel must be specifically informed about the possible hazards. The product and its ancillary equipment can present hazards if used incorrectly by untrained personnel or if used not in accordance with the intended use.
- The accompanying documentation corresponds to the current state of the art at the time of printing. Please always check for the latest version on the product's page on Hilti's website. To do this, follow the link or scan the QR code in this documentation, marked with the symbol .
- Ensure that these operating instructions are with the product when it is given to other persons.

1.2 Explanation of signs used

1.2.1 Warnings

Warnings alert persons to hazards that occur when handling or using the product. The following signal words are used in combination with a symbol:

	DANGER! Draws attention to imminent danger that will lead to serious personal injury or fatality.
	WARNING! Draws attention to a potential hazard that could lead to serious personal injury or fatality.
	CAUTION! Draws attention to a potentially dangerous situation that could lead to minor personal injury or damage to the equipment or other property.

1.2.2 Symbols in the documentation

The following symbols are used in this document:

	Read the operating instructions before use
	Instructions for use and other useful information

1.2.3 Symbols in the illustrations

The following symbols are used in illustrations:

	These numbers refer to the corresponding illustrations found at the beginning of these operating instructions.
3	The numbering reflects the sequence of operations shown in the illustrations and may deviate from the steps described in the text.
	Item reference numbers are used in the overview illustrations and refer to the numbers used in the product overview section .
	These characters are intended to specifically draw your attention to certain points when handling the product.

1.3 Symbols on the product

1.3.1 Product-dependent symbols

The following "must do" symbols are used on the product:

	Do not transport by crane
--	---------------------------



	Return material for recycling
	Alternating current
	Service indicator
n_0	Rated speed under no load
\varnothing	Diameter
	Drilling performance indicator

1.4 Product-dependent symbols

3-way valve

	Position for wet drilling
	Position for dry drilling
	Core bit draining position

Illustrations

	At temperatures below 4 °C the cooling circuit must be drained as described before breaks of an hour or longer.
	Operate the system only with a fully functional PRCD.
	Top: An additional means of securing the drill stand must be employed when the machine is used for horizontal drilling with the vacuum securing method.



1.5 Product information

Hilti products are designed for professional use and may be operated, serviced and maintained only by trained, authorized personnel. This personnel must be specifically informed about the possible hazards. The product and its ancillary equipment can present hazards if used incorrectly by untrained personnel or if used not in accordance with the intended use.

The type designation and serial number are printed on the rating plate.

- ▶ Write down the serial number in the table below. You will be required to state the product details when contacting Hilti Service or your local Hilti organization to inquire about the product.

Product information

Diamond core drilling machine	DD 350-CA
Generation	01
Serial no.	

1.6 Declaration of conformity

We declare, on our sole responsibility, that the product described here complies with the applicable directives and standards. A copy of the declaration issued by the certification department can be found at the end of this documentation.

The technical documentation is filed here:

Hilti Entwicklungsgesellschaft mbH | Tool Certification | Hiltistrasse 6 | 86916 Kaufering, Germany

2 Safety

2.1 General power tool safety warnings

⚠ WARNING Read all safety warnings, instructions, illustrations and specifications provided with this power tool. Failure to follow all instructions listed below may result in electric shock, fire and/or serious injury. **Save all warnings and instructions for future reference.**

The term "power tool" in the warnings refers to your mains-operated (corded) power tool or battery-operated (cordless) power tool.

Work area safety

- ▶ **Keep work area clean and well lit.** Cluttered or dark areas invite accidents.
- ▶ **Do not operate power tools in explosive atmospheres, such as in the presence of flammable liquids, gases or dust.** Power tools create sparks which may ignite the dust or fumes.
- ▶ **Keep children and bystanders away while operating a power tool.** Distractions can cause you to lose control.

Electrical safety

- ▶ **Power tool plugs must match the outlet. Never modify the plug in any way. Do not use any adapter plugs with earthed (grounded) power tools.** Unmodified plugs and matching outlets will reduce risk of electric shock.
- ▶ **Avoid body contact with earthed or grounded surfaces, such as pipes, radiators, ranges and refrigerators.** There is an increased risk of electric shock if your body is earthed or grounded.
- ▶ **Do not expose power tools to rain or wet conditions.** Water entering a power tool will increase the risk of electric shock.
- ▶ **Do not abuse the cord. Never use the cord for carrying, pulling or unplugging the power tool. Keep cord away from heat, oil, sharp edges or moving parts.** Damaged or entangled cords increase the risk of electric shock.
- ▶ **When operating a power tool outdoors, use an extension cord suitable for outdoor use.** Use of a cord suitable for outdoor use reduces the risk of electric shock.
- ▶ **If operating a power tool in a damp location is unavoidable, use a residual current device (RCD) protected supply.** Use of an RCD reduces the risk of electric shock.

Personal safety

- ▶ **Stay alert, watch what you are doing and use common sense when operating a power tool. Do not use a power tool while you are tired or under the influence of drugs, alcohol or medication.** A moment of inattention while operating power tools may result in serious personal injury.
- ▶ **Use personal protective equipment. Always wear eye protection.** Protective equipment such as a dust mask, non-skid safety shoes, hard hat or hearing protection used for appropriate conditions will reduce personal injuries.



- ▶ **Prevent unintentional starting. Ensure the switch is in the off-position before connecting to power source and/or battery pack, picking up or carrying the tool.** Carrying power tools with your finger on the switch or energising power tools that have the switch on invites accidents.
- ▶ **Remove any adjusting key or wrench before turning the power tool on.** A wrench or a key left attached to a rotating part of the power tool may result in personal injury.
- ▶ **Do not overreach. Keep proper footing and balance at all times.** This enables better control of the power tool in unexpected situations.
- ▶ **Dress properly. Do not wear loose clothing or jewellery. Keep your hair and clothing away from moving parts.** Loose clothes, jewellery or long hair can be caught in moving parts.
- ▶ **If devices are provided for the connection of dust extraction and collection facilities, ensure these are connected and properly used.** Use of dust collection can reduce dust-related hazards.
- ▶ **Do not let familiarity gained from frequent use of tools allow you to become complacent and ignore tool safety principles.** A careless action can cause severe injury within a fraction of a second.

Power tool use and care

- ▶ **Do not force the power tool. Use the correct power tool for your application.** The correct power tool will do the job better and safer at the rate for which it was designed.
- ▶ **Do not use the power tool if the switch does not turn it on and off.** Any power tool that cannot be controlled with the switch is dangerous and must be repaired.
- ▶ **Disconnect the plug from the power source and/or remove the battery pack, if detachable, from the power tool before making any adjustments, changing accessories, or storing power tools.** Such preventive safety measures reduce the risk of starting the power tool accidentally.
- ▶ **Store idle power tools out of the reach of children and do not allow persons unfamiliar with the power tool or these instructions to operate the power tool.** Power tools are dangerous in the hands of untrained users.
- ▶ **Maintain power tools and accessories. Check for misalignment or binding of moving parts, breakage of parts and any other condition that may affect the power tool's operation. If damaged, have the power tool repaired before use.** Many accidents are caused by poorly maintained power tools.
- ▶ **Keep cutting tools sharp and clean.** Properly maintained cutting tools with sharp cutting edges are less likely to bind and are easier to control.
- ▶ **Use the power tool, accessories and tool bits etc. in accordance with these instructions, taking into account the working conditions and the work to be performed.** Use of the power tool for operations different from those intended could result in a hazardous situation.
- ▶ **Keep handles and grasping surfaces dry, clean and free from oil and grease.** Slippery handles and grasping surfaces do not allow for safe handling and control of the tool in unexpected situations.

Service

- ▶ **Have your power tool serviced by a qualified repair person using only identical replacement parts.** This will ensure that the safety of the power tool is maintained.

2.2 Diamond drill safety warnings

- ▶ **When performing drilling that requires the use of water, route the water away from the operator's work area or use a liquid collection device.** Such precautionary measures keep the operator's work area dry and reduce the risk of electrical shock.
- ▶ **Operate power tool by insulated grasping surfaces, when performing an operation where the cutting accessory may contact hidden wiring or its own cord.** Cutting accessory contacting a "live" wire may make exposed metal parts of the power tool "live" and could give the operator an electric shock.
- ▶ **Wear hearing protection when diamond drilling.** Exposure to noise can cause hearing loss.
- ▶ **When the bit is jammed, stop applying downward pressure and turn off the tool.** Investigate and take corrective actions to eliminate the cause of the bit jamming.
- ▶ **When restarting a diamond drill in the workpiece check that the bit rotates freely before starting.** If the bit is jammed, it may not start, may overload the tool, or may cause the diamond drill to release from the workpiece.
- ▶ **When securing the drill stand with anchors and fasteners to the workpiece, ensure that the anchoring used is capable of holding and restraining the machine during use.** If the workpiece is weak or porous, the anchor may pull out causing the drill stand to release from the workpiece.
- ▶ **When drilling through walls or ceilings, ensure to protect persons and the work area on the other side.** The bit may extend through the hole or the core may fall out on the other side.



- ▶ **Do not use this tool for overhead drilling with water supply.** Water entering the power tool will increase the risk of electric shock.

2.3 Additional safety precautions

Personal safety

- ▶ **Do not tamper with or attempt to make alterations to the device.**
- ▶ **The power tool is not intended for use by debilitated persons who have received no special training.**
- ▶ Keep the power tool out of reach of children.
- ▶ **Do not touch rotating parts. Switch the power tool on only after it is in position at the workpiece.** Touching rotating parts, especially rotating accessory tools, can result in injury.
- ▶ **Avoid skin contact with drilling slurry.**
- ▶ Dust from materials such as lead-based paint, certain types of wood and concrete/masonry/stone containing quartz, minerals or metal can be harmful to health. Contact with or inhalation of the dust can cause allergic reactions and/or respiratory or other diseases among operators or bystanders. Certain kinds of dust such as oakwood and beechwood dust are classified as carcinogenic, especially in conjunction with additives for wood conditioning (chromate, wood preservative). Only specialists are permitted to handle material containing asbestos. Use as effective a dust removal system as possible. To achieve a high level of dust collection, use a suitable vacuum extractor of the type recommended by Hilti for wood dust and/or mineral dust and which is designed for use with this power tool. Ensure that the workplace is well ventilated. It is advisable to wear a respirator appropriate for the type of dust generated. Comply with national regulations applicable to the materials you will be working with.
- ▶ The diamond core drilling machine and the diamond core bit are heavy. There is a risk of crushing parts of the body. **The user and persons in the vicinity must wear suitable protective goggles, a hard hat, ear defenders, protective gloves and protective footwear while the tool is in use.**

Power tool use and care

- ▶ **Make sure that the device is correctly secured to the drill stand.**
- ▶ **Always make sure that an end stop is installed on the drill stand as otherwise the safety-relevant end-stop function is not implemented.**
- ▶ **Check that accessory tools are compatible with the power tool's chuck/drive system and that they are installed and secured correctly.**

Electrical safety

- ▶ **Do not use extension cords with multiple power outlets powering two or more devices in operation at the same time.**
- ▶ **Operate the device only when it is connected to an adequately rated power supply with a ground conductor.**
- ▶ **Before beginning work, check the working area (e.g. using a metal detector) to ensure that no concealed electric cables or gas and water pipes are present.** External metal parts on the power tool can become live, for example if you inadvertently damage electric wiring. This presents a serious risk of electric shock.
- ▶ **Make sure that the supply cord cannot be damaged as the carriage advances.**
- ▶ **Never operate the machine without the accompanying PRCD (machines without PRCD: Never operate the machine without an isolating transformer). Test the PRCD each time before use.**
- ▶ **Check the machine's supply cord at regular intervals and have it replaced by a qualified specialist if found to be damaged. If the machine's supply cord is damaged it must be replaced with a specially prepared and approved supply cord available from Hilti Customer Service. Check extension cords at regular intervals and replace them if found to be damaged. Do not touch the supply cord or extension cord if it is damaged while you are working. Disconnect the supply cord plug from the power outlet.** Damaged supply cords and extension cords present a risk of electric shock.
- ▶ Never operate the machine when it is dirty or wet. Dust, especially dust from conductive materials, or dampness on the surface of the power tool can, under unfavorable conditions, lead to electric shock. Have dirtied or dusty machines checked at regular intervals by Hilti Service, especially if they are used frequently for working on conductive materials.

Workplace

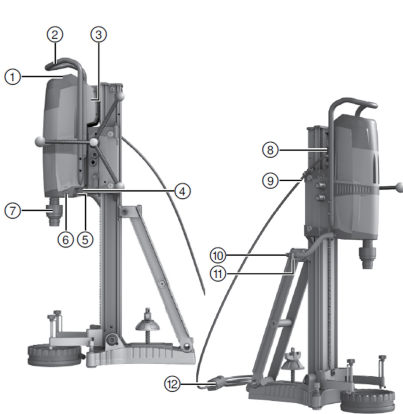
- ▶ **Approval must be obtained from the site engineer or site management before beginning work.** Drilling work on buildings and other structures can influence the statics, especially when steel reinforcing bars and load-bearing components are cut through.
- ▶ **If the drill stand has not been secured correctly, always move the machine on the drill stand all the way down to keep the stand from toppling.**
- ▶ **Keep the supply cord, extension cord, water hose and vacuum hose away from rotating parts.**



- ▶ Use of the water collection system in combination with a wet-type industrial vacuum extractor is mandatory for upward wet drilling.
- ▶ Use of the vacuum fastening method for upward drilling without additional means of securing the equipment is prohibited.
- ▶ An additional means of securing the drill stand must be employed when the machine is used for horizontal drilling with the vacuum securing method (accessory).

3 Description

3.1 Product overview 1



- ① Controls and indicators panel
- ② Carrying bar
- ③ Rating plate
- ④ Grip
- ⑤ Water drainage plug
- ⑥ 3-way valve
- ⑦ Chuck
- ⑧ Connector
- ⑨ Supply cord guide
- ⑩ Water connection
- ⑪ Water flow regulator
- ⑫ Supply cord with PRCD

3.2 Controls and indicators panel 2

- ① Gear switch
- ② Drilling performance indicator
- ③ Temperature monitoring/ground fault
- ④ ON switch
- ⑤ OFF switch
- ⑥ Rebar button (iron boost)
- ⑦ Service indicator

3.3 Vacuum plate (accessory) 3

- ① Vacuum release valve
- ② Vacuum hose connector
- ③ Vacuum seal
- ④ Pressure gauge
- ⑤ Wheel assembly mount
- ⑥ Leveling screws (4x)

3.4 Overview, accessories 4

DD-HD 30 drill stand (accessory)

- ① Limit stop with rail cap
- ② Leveling indicators (2x)
- ③ Carriage
- ④ Carrying handle (2x)
- ⑤ Brace
- ⑥ Leveling screws (3x)
- ⑦ Wheel assembly mount
- ⑧ Base plate
- ⑨ Rail
- ⑩ Carriage lock
- ⑪ Eccentric pin (for securing the equipment)
- ⑫ Hand wheel
- ⑬ Anchor position
- ⑭ Reduction gearing (1:3)
- ⑮ Direct drive (1:1)
- ⑯ Rating plate
- ⑰ Hole center indicator

Set of fasteners for drill stand (accessory)

- ⑱ Clamping nut
- ⑲ Clamping spindle



Water collection system (accessory)

- ⑳ Seal
- ㉑ Water collector
- ㉒ Water collector holder

3.5 Intended use

The product described is an electrically-powered diamond core drilling machine. It is designed for the drill-stand-mounted wet drilling of through-holes and blind holes in (reinforced) mineral materials using diamond core bits.

The diamond core drilling machine must be mounted on the drill stand and the drill stand must be firmly secured to the base material by means of an anchor or a vacuum plate.

- ▶ Operate the tool only when it is connected to a power source providing a voltage and frequency in compliance with the information stated on the rating plate.
- ▶ The product described is not suitable for hand-guided operation.

3.6 Use of the machine with various items of equipment

When the drilling rail is extended to a length of 2 m or more, an additional support must be used.

Equipment	Core bit diameter \varnothing	Drilling direction	Standard working length
With water collection system	52 mm...250 mm (2.0 in...9.8 in)	All directions	500 mm (19.7 in)
System without water	52 mm...500 mm (2.0 in...19.7 in)	All directions	500 mm (19.7 in)

3.7 Indicators

Status	Meaning
Service indicator shows	Have the product repaired by Hilti Service .
Service indicator flashes briefly	Fault affecting the product.
Service indicator flashes steadily	Have the product repaired by Hilti Service .
Indicators for cooling and electrical fault show	Check the water flow rate.
Indicators for cooling and electrical fault flash	Check the electricity supply.
Drilling performance indicator shows green	Optimum contact pressure (after the hole has been started).
Drilling performance indicator shows orange	Low contact pressure, e.g. when starting a hole.
Drilling performance indicator shows red	Contact pressure too high.

3.8 Items supplied

Diamond core drilling machine, operating instructions.

Other system products approved for use with this product can be found at your local **Hilti Store** or online at: www.hilti.group | USA: www.hilti.com.

4 Technical data

4.1 Diamond core drilling machine



For rated voltage, rated current, frequency and/or input power, refer to the country-specific type identification plate.

If the tool is powered by a generator or transformer, the generator or transformer's power output must be at least twice the rated input power shown on the rating plate of the tool. The operating voltage of the transformer or generator must always be within +5% and -15% of the rated voltage of the tool.



	DD 350
Chuck	BL
Max. permissible water pressure	6 bar
Minimum flow rate (max. +30 °C)	0.5 ℓ/min
Weight, basic machine	14.4 kg (31.7 lb)
Weight with drill stand	34.9 kg (76.9 lb)
Rated power input	3,600 W
Max. drilling depth without extension	500 mm (19.7 in)
Protection class	I
Portable residual current device	PRCD
Protected against dust and water	IP 55

4.2 Gear selector for core bit diameter

	Core bit diameter \varnothing	Core bit diameter \varnothing	No-load speed (240 V)	No-load speed (110 V)
1	52 mm ... 62 mm	2 in ... 2 3/8 in	667 /min	667 /min
2	72 mm ... 92 mm	2 3/4 in ... 3 1/2 in	667 /min	667 /min
3	102 mm ... 112 mm	4 in ... 4 1/2 in	667 /min	619 /min
4	122 mm	4 3/4 in	619 /min	571 /min
5	127 mm ... 142 mm	5 in ... 5 1/2 in	571 /min	524 /min
6	152 mm ... 162 mm	6 in ... 6 3/4 in	524 /min	464 /min
7	172 mm ... 182 mm	6 3/4 in ... 7 in	405 /min	369 /min
8	202 mm	8 in	357 /min	321 /min
9	225 mm ... 250 mm	9 in ... 10 in	310 /min	286 /min
10	300 mm ... 500 mm	12 in ... 20 in	286 /min	238 /min

5 Operation

5.1 Preparations at the workplace

WARNING

Risk of injury due to inadequate fastening. When a drill stand is used, it can spin or topple if it is not adequately secured.

- ▶ Before using the diamond core drilling machine, secure the drill stand to the work surface with anchors or with a vacuum base plate.
- ▶ Use only anchors suitable for the base material and comply with the anchor manufacturer's instructions.
- ▶ Use a vacuum base plate only when the work surface is suitable for securing the drill stand by the vacuum method.

5.1.1 Setting up the drill stand

1. Slacken the screw at the top at the brace and the screw at the bottom at the pivot joint of the rail.
2. Bring the rail into the vertical position.
3. Tighten the screw at the top at the brace and the screw at the bottom at the pivot joint of the rail.
4. Install the cover with the integral end stop at the top end of the rail.



5.1.2 Installing the hand wheel



You can install the hand wheel on the right or left side of the carriage on two different shafts.
 If you install the hand wheel on the top shaft, the shaft acts directly on the drive of the carriage.
 If you install the hand wheel on the bottom shaft, the shaft acts through reduction gearing on the drive of the carriage.

1. Install the hand wheel on the shaft of your choice on the appropriate side.
2. Secure the hand wheel with the screw.

5.1.3 Securing the drill stand with an anchor



WARNING

Risk of injury due to use of wrong anchors! The machine can break loose and cause damage.

- ▶ Use anchors suitable for the material on which you are working and observe the anchor manufacturer's instructions.

1. Set the anchor for the base plate 330 mm (13 inch) from the hole center.



If you work with a spacer, increase the distance accordingly.

2. Screw the clamping spindle into the anchor.
3. Slip the drill stand over the spindle and align it.
4. Screw the clamping nut on to the spindle but do not tighten it.
5. Use the leveling screws to level the base plate.
6. Use a suitable open-end wrench to tighten the clamping nut on the clamping spindle.
7. Check that the drill stand is secure.

5.1.4 Securing the drill stand by vacuum



DANGER

Risk of injury if the diamond core drilling machine falls !

- ▶ Fastening the drill stand to the ceiling only by means of the vacuum securing method is not permissible. A heavy structural support or a threaded spindle, for example, can serve as an additional means of fastening.



WARNING

Risk of injury if pressure is not checked !

- ▶ Before and during drilling, check that the pressure gage pointer remains in the green zone.



In order to use the drill stand with anchor base plate, establish a secure, flat-on-flat connection between vacuum base plate and anchor base plate. Screw the anchor base plate securely to the vacuum base plate. Make sure that the core bit selected for use will not damage the vacuum base plate.

If you are going to drill horizontally, use additional means of securing the diamond core drilling machine (e. g. chain secured to anchor).

Read the operating instructions for the vacuum pump.



Before positioning the drill stand, check that you have sufficient space for assembly and operation.

1. Turn all the leveling screws until they project approx. 5 mm underneath the vacuum base plate.
2. Connect the vacuum connector on the vacuum base plate to the vacuum pump.
3. Set the drill stand on the vacuum base plate.
4. Use the screw supplied, complete with its washer, to secure the drill stand to the vacuum base plate.
5. Locate the center point of the hole to be drilled.
6. Draw a line approximately 800 mm in the direction in which the core drilling system is to stand.



- At a distance of 165 mm (6 1/2 inches) from the center point of the hole to be drilled, make a mark on the 800 mm long line.
- Switch on the vacuum pump and press and hold down the vacuum release valve.
- Position the drill stand on the work surface.
- Release the vacuum release valve.
- Use the leveling screws to level the vacuum base plate.
 - The needle of the pressure gauge is in the green area.



Do not level the anchor base plate on the vacuum plate.

- Secure the drill stand for drilling horizontally.
- Check that the drill stand is secure.

5.1.5 Adjusting the drilling angle when using the drill stand with combination base plate 9



CAUTION

Risk of crushing the fingers in the articulation! Release of the clamping mechanism can result in sudden tip-over of the drill stand.

- Wear protective gloves.
- Secure the drill stand against tip-over before releasing the clamping mechanism.

- Slacken the screw at the top at the brace and the screw at the bottom at the pivot joint of the rail.
- Adjust the rail to the desired position.
- Tighten the screw at the top at the brace and the screw at the bottom at the pivot joint of the rail.

5.1.6 Extending the rail 9



When starting a hole, use only a core bit or extended core bit with a maximum total length of 650 mm (25 1/2 in).

A depth gage on the rail can be used as an additional end stop.

After removing the extension rail, reinstall the cover (with integrated end stop) on the drill stand. Otherwise the safety-relevant end-stop function is not implemented.

- Remove the cover (with built-in end stop) from the top end of the rail.
- Install the cover on the extension rail.
- Insert the cylindrical connector of the extension rail into the end of the rail of the drill stand.
- Secure the extension rail by turning the eccentric pin.

5.1.7 Installing the spacer 10



WARNING

Risk of injury. The fastening may become overloaded.

- When one or more spacers are used, the contact pressure must be reduced in order to avoid overloading the fastening.



When core bits of diameter > 300 mm (11 1/2 in) are used, the distance between drill stand and drilling axis has to be increased by installing one or two spacers. The hole center indicator is no longer functional when spacers are used.

Insert the spacer or spacers without the diamond core drilling machine mounted on the drill stand.

- Lock the carriage on the rail with the carriage lock.
- Pull out the eccentric pin for locking the diamond core drilling machine on the carriage.
- Insert the spacer into the carriage.
- Push the eccentric pin into the carriage until it is seated.
- Tighten the eccentric pin.
- Make sure that the spacer is secure.



5.1.8 Securing the diamond core drilling machine to the drill stand **11**

CAUTION

Risk of injury Hazard presented by inadvertent starting of the diamond core drilling machine.

- ▶ The diamond core drilling machine should not be connected to the power supply during set-up.

1. Lock the carriage on the rail with the carriage lock.
2. Pull out the eccentric pin for locking the diamond core drilling machine on the carriage.
3. Set the diamond core drilling machine on the carriage or the spacer.
4. Push the eccentric pin into the carriage or the spacer until it is seated.
5. Tighten the eccentric pin.
6. Secure the supply cord in the cord guide on the carriage cover.
7. Make sure that the diamond core drilling machine is secure on the drill stand.

5.1.9 Installing the water supply connection

ATTENTION

Hazard due to incorrect use! Incorrect use can result in irreparable damage to the hose.

- ▶ Regularly check the hose for damage and make sure that the maximum permissible water supply pressure is not exceeded (see "Technical data").
- ▶ Make sure that the hose does not come into contact with rotating parts.
- ▶ Make sure that the hose is not damaged as the carriage advances.
- ▶ Comply with the maximum water temperature as stated in the section headed Technical data.
- ▶ Check the water supply system to ensure there are no leaks.



To avoid damage to the components, use only fresh water containing no dirt particles.
A flow meter can be inserted as an accessory between the device and the water supply.

1. Connect the water flow regulator to the diamond core drilling machine.
2. Connect the water supply (hose connection).

5.1.10 installing the water collection system (accessory) **12**

WARNING

Danger of electric shock! There is a possibility of water flowing over the motor and cover if the vacuum removal system is faulty.

- ▶ Cease operations immediately if the vacuum removal system is not working.



The diamond core drilling machine must be at a 90° angle to the slab. The water collection system sealing disc must match the diamond core bit diameter.



Use of the water collection system allows water to be led away under control, thus preventing the surrounding area from being heavily soiled. The best results are achieved with a wet-type industrial vacuum extractor.



When using the drill stand: Before installing the water collector holder, screw the spacer for the water collector holder to the drill stand.

1. At the front of the drill stand, slacken the bottom screw at the rail.
2. Slip the water collector holder behind the screw from below.
3. Securely tighten the screw.
4. Position the water collector, with seal and water collector sealing disc installed, between the two movable arms of the holder.
5. Secure the water collector to the holder with the two screws.
6. Connect a wet-type industrial vacuum extractor to the water collector or establish a hose connection through which the water can drain away.



5.1.11 Inserting a diamond core bit 13

⚠ DANGER

Risk of injury Fragments of the workpiece or of broken insert tools may be ejected and cause injury beyond the immediate area of operation.

- ▶ Do not use damaged insert tools. Check the insert tools for chipping, cracks, or heavy wear each time before use.

⚠ CAUTION

Risk of injury when changing the tool! The tool becomes hot as a result of use. It may have sharp edges.

- ▶ Always wear protective gloves when changing the tool.



Replace diamond core bits as soon as their cutting performance and/or rate of drilling progress drops significantly. This generally is the case when the diamond segments wear to a height of less than 2 mm (1/16 in).

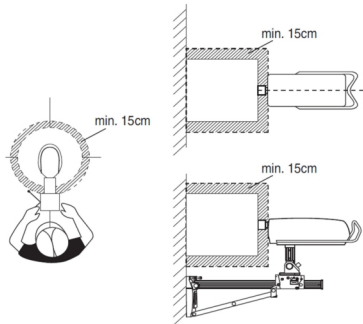
1. Lock the carriage on the rail with the carriage lock. Check to ensure that it is securely fastened.
2. Open the chuck by turning it in the direction indicated by the **open brackets** symbol.
3. From below, push the connection end of the diamond core bit into the splines of the chuck on the diamond core drilling machine.
4. Close the chuck by turning it in the direction indicated by the **closed brackets** symbol.
5. Check that the diamond core bit is seated securely in the chuck.

5.1.12 Setting the depth gage (accessory)

1. Turn the hand wheel until the core bit is in contact with the base material.
2. Set the desired drilling depth by adjusting the distance between the depth gage and the carriage.
3. Lock the depth gage in position.

5.2 Types of work

5.2.1 Keep the danger zone clear



The shaded area in the illustration defines the danger zone round the diamond core drilling machine.

- When operating the machine, always keep at least 15 cm clear of the core bit.
- Position yourself behind the drill stand while drilling is in progress.

5.2.2 Selecting the speed



Press the switch only when the tool is stationary.

1. Set the selector switch to suit the diameter of the core bit used.
2. Turn the switch to the recommended setting while turning the core bit by hand at the same time.



5.2.3 Portable residual current device (PRCD)

1. Plug the diamond core drilling machine's supply cord into a grounded socket outlet.
2. Press the **ON** button on the PRCD.
 - ▶ The indicator lights up.
3. Press the **TEST** button on the PRCD.
 - ▶ The indicator goes out.

WARNING

Risk of injury due to electric shock! Do not continue operating the diamond core drilling machine if the indicator on the ground fault circuit interrupter does not go out when the **0** or the **TEST** button is pressed.

- ▶ Have your diamond core drilling machine repaired by **Hilti Service**.

4. Press the **ON** button on the PRCD.
 - ▶ The indicator lights up.

5.2.4 Using the hole-starting function

1. Advance the core bit as close as possible to the work surface without bringing it into contact with the work surface.
2. Press the ON switch on the diamond core drilling machine.
3. Press the ON switch on the diamond core drilling machine again.
 - ▶ The core bit rotates slowly (21 rpm)
4. Press the core bit against the base material.
5. After approx. 5 seconds, press the ON switch again.
 - ▶ The core bit rotates at normal speed.
6. Continue the drilling operation.

5.2.5 Operating the diamond core drilling machine

WARNING

Risk of personal injury and material damage The diamond core drilling machine may become damaged and the risk of electric shock is increased.

- ▶ Use of the water collection system in conjunction with a wet-type industrial vacuum cleaner is a mandatory requirement for wet drilling overhead.

DANGER

Risk of personal injury and material damage The wet-type industrial vacuum cleaner switches on and off with a delay. This allows water to run over the diamond core drilling machine. The diamond core drilling machine may become damaged and the risk of electric shock is increased.

- ▶ When drilling in an upward direction, the wet-type industrial vacuum cleaner must be switched on manually before opening the water supply valve and switched off again manually after closing the water supply valve.

DANGER

Risk of personal injury and material damage The diamond core drilling machine may become damaged and the risk of electric shock is increased.

- ▶ When drilling in an upward direction, stop working if the suction removal system stops working (e.g. the wet-type industrial vacuum cleaner is full).

WARNING

Risk of personal injury and material damage The water collector cannot function correctly during drilling in an upward direction at an angle. The diamond core drilling machine may become damaged and the risk of electric shock is increased.

- ▶ Do not drill in an upward direction at an angle.

1. Slowly open the water flow regulator until the water flows at the desired rate.
2. Press the ON switch on the diamond core drilling machine.
3. Release the carriage lock.
4. Turn the hand wheel until the core bit is in contact with the base material.



- When you start drilling apply only light pressure until the core bit has centered itself. Then apply more pressure.
- Watch the drilling performance indicator and adjust contact force accordingly.

5.2.6 Operating the diamond core drilling machine dry

DANGER

Risk of personal injury and material damage The diamond core drilling machine may become damaged and the risk of electric shock is increased.

- ▶ When drilling in an upward direction, stop working if the suction removal system stops working (e.g. the wet-type industrial vacuum cleaner is full).

WARNING

Risk of personal injury and material damage The water collector cannot function correctly during drilling in an upward direction at an angle. The diamond core drilling machine may become damaged and the risk of electric shock is increased.

- ▶ Do not drill in an upward direction at an angle.



Wear a dust mask

- Switch on a dust extractor and compressed air.
- Set the 3-way valve on the core drilling machine to **dry drilling**.
- Press the ON switch on the diamond core drilling machine.
- Release the carriage lock.
- Turn the hand wheel until the core bit is in contact with the base material.
- When you start drilling apply only light pressure until the core bit has centered itself. Then apply more pressure.
- Watch the drilling performance indicator and adjust contact force accordingly.

5.2.7 Switching off the diamond core drilling machine

WARNING

Risk of personal injury and material damage The diamond core bit fills with water during overhead drilling. The diamond core drilling machine may become damaged and the risk of electric shock is increased.

- ▶ As a first step, carefully allow the water to drain away after completing overhead drilling. This is done by disconnecting the water supply from the water flow regulator and draining the water by opening the water flow regulator. Do not allow the water to run over the motor and cover.

- If the following conditions are met, also take this action:

Conditions: Drilling upward

- ▶ Set the 3-way valve to the middle position to drain the water from the core bit.
- Remove the diamond core bit from the hole.
 - Switch off the diamond core drilling machine.
 - Lock the carriage on the rail with the carriage lock.
 - Switch off the wet-type industrial vacuum cleaner, if used.

5.2.8 Procedure for dealing with a jammed core bit

If the bit jams the safety clutch disengages. Then the motor switches off.

The step-by-step procedure for releasing the core bit is as follows:

5.2.8.1 Releasing the core bit

- Unplug the supply cord from the power outlet.



- If the following conditions are met, also take this action:

Conditions: Releasing with open-ended wrench

- ▶ Release the core bit by engaging an open-ended wrench close to the connection end.
- ▶ Release the core bit by turning it.

- If the following conditions are met, also take this action:

Conditions: Releasing with hand wheel

- ▶ Release the core bit from the base material by turning the hand wheel.
- ▶ Check that the carriage is locked by lightly turning the hand wheel.
- ▶ Plug the supply cord of the diamond core drilling machine into the power outlet.

- Plug the supply cord of the diamond core drilling machine into the power outlet.
- Continue the drilling operation.

5.2.9 Removing the diamond core bit **16**

- Unplug the supply cord from the power outlet.
- Lock the carriage on the rail.
- Check that the carriage is locked by lightly turning the hand wheel.
- Open the chuck by turning it in the direction indicated by the **open brackets** symbol.
- Remove the core bit.

5.2.10 Removing the diamond core drilling machine **17**

- Lock the carriage on the rail with the carriage lock. Check to ensure that it is securely fastened.
- Hold the diamond core drilling machine securely with one hand on the carrying handle.
- Release the eccentric pin in the lock of the diamond core drilling machine.
- Pull out the eccentric pin.
- Remove the diamond core drilling machine from the carriage.
- Push the eccentric pin into the carriage as far as it will go.

6 Care and maintenance

WARNING

Electric shock hazard! Attempting care and maintenance with the supply cord connected to a power outlet can lead to severe injury and burns.

- ▶ Always unplug the supply cord before carrying out care and maintenance tasks.
-

Care

- Carefully remove stubborn dirt from the tool.
- Clean the air vents carefully with a dry brush.
- Use only a slightly damp cloth to clean the casing. Do not use cleaning agents containing silicone as these can attack the plastic parts.

Maintenance

WARNING

Danger of electric shock! Improper repairs to electrical components may lead to serious injuries including burns.

- ▶ Repairs to the electrical section of the tool or appliance may be carried out only by trained electrical specialists.
-
- Check all visible parts and controls for signs of damage at regular intervals and make sure that they all function correctly.
 - Do not operate the tool if signs of damage are found or if parts malfunction. Have the tool repaired by **Hilti Service** immediately.
 - After cleaning and maintenance, refit all guards or protective devices and check that they function correctly.



6.1 Adjusting the play between the rail and carriage

You can adjust the play between the rail and carriage using the four adjusting screws on the carriage. The four adjustable rollers are adjusted as described below.

1. Loosen the adjusting screws using a 5 mm hexagon socket wrench (do not remove the screws).
2. Use a 19 mm open-end wrench to turn the adjusting screws so that the rollers are pressed slightly against the rail.
3. Tighten the adjusting screws firmly. The carriage is correctly adjusted when it remains in position without a diamond core drilling machine fitted and moves down when the drilling machine is fitted.

7 Transport and storage

- Do not transport electric tools with accessory tools fitted.
- Always unplug the supply cord before storing an electric tool or appliance.
- Store tools and appliances in a dry place where they cannot be accessed by children or unauthorized persons.
- Check electric tools or appliances for damage after long periods of transport or storage.

7.1 Storage of the equipment and breaks at freezing temperatures

At temperatures below 4 °C (39 °F), the water in the cooling circuit has to be blown out with compressed air when drilling is interrupted for more than one hour and before the equipment is stowed away.

1. Interrupt the water supply.
2. Disconnect the water supply from the diamond core drilling machine.
3. Open the water flow regulator.
4. Set the 3-way valve to **Wet drilling**.
5. Use compressed air (max. 3 bar) to blow the water out of the water circuit.

8 Troubleshooting

If the trouble you are experiencing is not listed in this table or you are unable to remedy the problem by yourself, please contact **Hilti** Service.

8.1 The diamond core drilling machine is in working order

Malfunction	Possible cause	Action to be taken
<p>The service indicator lights.</p>	Service interval reached.	<ul style="list-style-type: none"> ▶ Bring the diamond core drilling machine to Hilti at your earliest convenience.
<p>The service indicator blinks.</p>	Service interval exceeded.	<ul style="list-style-type: none"> ▶ Bring the diamond core drilling machine to Hilti.
The drilling speed is decreasing.	Maximum drilling depth has been reached.	<ul style="list-style-type: none"> ▶ Remove the core and use a core bit extension.
	The core is stuck in the diamond core bit.	<ul style="list-style-type: none"> ▶ Remove the core.
	Wrong core bit specification for the base material.	<ul style="list-style-type: none"> ▶ Select a more suitable diamond core bit specification.
	High steel content (indicated by clear water containing metal cuttings).	<ul style="list-style-type: none"> ▶ Select a more suitable diamond core bit specification.






Malfunction	Possible cause	Action to be taken
The drilling speed is decreasing.	The diamond core bit is defective.	▶ Check the diamond core bit for damage and replace it if necessary.
	Wrong gear selected.	▶ Select the right gear.
	Contact pressure is too low.	▶ Increase the contact pressure.
	The machine has too little power.	▶ Select the next lower gear.
	The diamond core bit is polished.	▶ Sharpen the diamond core bit by drilling into a sharpening plate.
	The volume of water is too high.	▶ Reduce the volume of water using the water volume regulator (ensure that the volume of water is at least 0.5 l/min as required).
	The water flow rate is too low.	▶ Check the water supply to the diamond core bit or, respectively, increase the water flow by adjusting the water flow regulator.
The diamond core bit doesn't rotate.	The diamond core bit has become jammed in the base material.	▶ Release the carriage locking mechanism.
		▶ Use an open-end wrench to release the diamond core bit: Disconnect the supply cord plug from the power outlet. Grip the diamond core bit with a suitable open-end wrench close to the connection end and release the diamond core bit by rotating it.
		Stand-guided drilling ▶ Turn the handwheel and try to release the diamond core bit by moving the carriage up and down.
The handwheel can be turned without resistance.	The shear pin is broken.	▶ Replace the shear pin.
The diamond core bit can't be fitted into the chuck.	The core bit connection end or chuck is dirty or damaged.	▶ Clean and grease the connection end and/or the chuck or replace these parts.
Water escapes at the water swivel or gear housing.	The water pressure is too high.	▶ Reduce the water pressure.
Water escapes from the chuck during operation.	The diamond core bit isn't securely tightened in the chuck.	▶ Tighten the diamond core bit securely. ▶ Remove the core bit. Rotate the diamond core bit approx. 90° about its own axis. Refit the diamond core bit.
	The core bit connection end / chuck is dirty.	▶ Clean and grease the connection end and/or the chuck.
	The chuck seal or connection end is defective.	▶ Check the seal and replace it if necessary.
The drilling system has too much play.	The diamond core bit isn't securely tightened in the chuck.	▶ Tighten the diamond core bit securely. ▶ Remove the core bit. Rotate the diamond core bit approx. 90° about its own axis. Refit the diamond core bit.



Malfunction	Possible cause	Action to be taken
The drilling system has too much play.	The core bit connection end / chuck is defective.	▶ Check the connection end and chuck and replace them if necessary.
	The connection between the diamond core drilling machine and the carriage or spacers is loose.	▶ Check the connection and, if necessary, refasten the diamond core drilling machine.
	The carriage has too much play.	▶ Adjust the play between the rail and carriage. 16
	Screws / bolts on the drill stand are loose.	▶ Check the security of screws / bolts on the drill stand and tighten them if necessary.
	The drill stand is inadequately fastened.	▶ Fasten the drill stand more securely.

8.2 The diamond core drilling machine is not in working order

Malfunction	Possible cause	Action to be taken
 The service indicator shows nothing.	The PRCD isn't switched on.	▶ Check that the PRCD is functioning and switch it on.
	Interruption in the electric supply.	▶ Plug in another electric tool or appliance and check whether it works. ▶ Check the plug connections, supply cord, power supply line and main supply fuse.
 Temperature, overvoltage or undervoltage indicator is lit.	The motor has overheated.	▶ Switch the diamond core drilling machine off (press off-switch in the middle) and back on again. Check the water supply. After cooling down, the diamond core drilling machine is ready for use again.
	Fault in the power supply.	▶ Switch the diamond core drilling machine off (press off-switch in the middle) and back on again. Check the power supply (especially during operation by generator or transformer).
 Temperature, overvoltage or undervoltage indicator is flashing.	The automatic drill feed DD-AF CA emergency stop button has been pressed.	▶ Release the automatic drill feed DD-AF CA emergency stop button.
	The diamond core drilling machine is defective or the safety function has been activated.	▶ Switch the diamond core drilling machine off (press off-switch in the middle) and back on again.
The motor cuts out.	Core bit jammed for too long.	▶ Free the jam and switch the motor off and back on again.

9 Disposal

Most of the materials from which Hilti products are manufactured can be recycled. The materials must be correctly separated before they can be recycled. In many countries, your old tools, machines or appliances can be returned to Hilti for recycling. Ask Hilti Service or your Hilti sales representative for further information.



Drilling and sawing slurry

Disposing of drilling and sawing slurry directly into rivers, lakes or the sewerage system without suitable pretreatment is problematic from an environmental point of view.

- ▶ Ask the local public authorities for information about current regulations.

We recommend the following pretreatment:

- ▶ Collect the drilling or sawing slurry (for example, using a wet-type vacuum cleaner).
- ▶ Allow the drilling or sawing slurry to stand for some time or add a flocculation agent to help the fine particles in the slurry settle and separate from the water.
- ▶ Dispose of this solid portion of the drilling or sawing slurry at a construction waste disposal location.
- ▶ Neutralize the remaining water from the drilling or sawing slurry (alkaline, pH-value > 7) by adding an acidic neutralizing agent or dilute it by adding a large quantity of water before allowing it to enter the sewerage system.

10 Manufacturer's warranty

- ▶ Please contact your local **Hilti** representative if you have questions about the warranty conditions.

Mode d'emploi original

1 Indications relatives au mode d'emploi

1.1 À propos de ce mode d'emploi

- **Avertissement !** Il convient de lire et comprendre toute la documentation jointe, y compris, sans s'y limiter, les instructions, avertissements de sécurité, illustration et spécifications fournies avec le présent produit. Prenez connaissance de toutes les instructions, avertissements de sécurité, illustrations, spécifications et fonctions du produit avant de l'utiliser. Tout manquement à cette obligation peut entraîner un choc électrique, un incendie, et/ou des blessures graves. Conservez l'ensemble des avertissements et instructions pour consultation ultérieure.
- Les produits **HILTI** sont destinés aux professionnels et ne doivent être utilisés, entretenus et réparés que par un personnel autorisé et formé. Ce personnel doit être spécialement instruit quant aux dangers inhérents à l'utilisation de l'appareil. Le produit et ses accessoires peuvent s'avérer dangereux s'ils sont utilisés de manière incorrecte par un personnel non qualifié ou de manière non conforme à l'usage prévu.
- La documentation ci-jointe correspond à l'état actuel de la technique à la date d'impression. Veuillez toujours consulter la dernière version sur la page du produit sur le site Internet de Hilti. Pour ce faire, suivez le lien ou scannez le code QR dans la documentation, indiqué par le symbole
- Ne pas prêter ou céder le produit à un autre utilisateur sans lui fournir le présent mode d'emploi.

1.2 Explication des symboles

1.2.1 Avertissements

Les avertissements attirent l'attention sur des dangers liés à l'utilisation du produit. Les termes de signalisation suivants sont utilisés en combinaison avec un symbole :

	DANGER ! Pour un danger imminent qui peut entraîner de graves blessures corporelles ou la mort.
	AVERTISSEMENT ! Pour un danger probable qui peut entraîner de graves blessures corporelles ou la mort.
	ATTENTION ! Pour attirer l'attention sur une situation pouvant présenter des dangers entraînant des blessures corporelles légères ou des dégâts matériels.

1.2.2 Symboles dans la documentation

Les symboles suivants sont utilisés dans la présente documentation :

	Lire le mode d'emploi avant d'utiliser l'appareil
--	---





Pour des conseils d'utilisation et autres informations utiles

1.2.3 Symboles dans les illustrations

Les symboles suivants sont utilisés dans les illustrations :

2	Ces chiffres renvoient à l'illustration correspondante au début du présent mode d'emploi.
3	La numérotation détermine la séquence des étapes de travail dans l'image et peut se différencier de celles des étapes de travail dans le texte.
11	Les numéros de position sont utilisés dans l'illustration Vue d'ensemble et renvoient aux numéros des légendes dans la section Vue d'ensemble du produit .
	Ce signe doit inviter à manier le produit en faisant particulièrement attention.

1.3 Symboles sur le produit

1.3.1 Symboles spécifiques au produit

Les symboles d'obligation suivants sont utilisés sur le produit :

	Transport par pont roulant ou grue interdit
	Les matériaux doivent être recyclés
	Courant alternatif
	Indicateur de maintenance
n_0	Vitesse nominale à vide
\varnothing	Diamètre
	Indicateur de puissance de forage

1.4 Symboles spécifiques au produit

Distributeur à 3 orifices

	Réglage pour le forage à eau
	Réglage pour le forage à sec
	Position pour le vidage de l'eau de la couronne de forage



Illustrations

	<p>En cas d'interruptions de travail à partir d'une heure et de températures inférieures à 4 °C, le circuit de refroidissement doit être vidé conformément aux instructions.</p>
	<p>Travailler uniquement avec un disjoncteur PRCD en état de fonctionner.</p>
	<p>En haut: Pour des forages horizontaux avec fixation par ventouses, la colonne de forage ne doit pas être utilisée sans dispositif de sécurité supplémentaire.</p>

1.5 Informations produit

Les produits **Hilti** sont destinés aux professionnels et ne doivent être utilisés, entretenus et réparés que par un personnel autorisé et formé. Ce personnel doit être au courant des dangers inhérents à l'utilisation de l'appareil. Le produit et ses accessoires peuvent s'avérer dangereux s'ils sont utilisés de manière incorrecte par un personnel non qualifié ou de manière non conforme à l'usage prévu.

La désignation du modèle et le numéro de série figurent sur sa plaque signalétique.

- ▶ Inscrivez le numéro de série dans le tableau suivant. Les informations produit vous sont demandées lorsque vous contactez nos revendeurs ou services après-vente.

Caractéristiques produit

Carotteuse diamant	DD 350-CA
Génération	01
N° de série	

1.6 Déclaration de conformité

Nous déclarons sous notre seule et unique responsabilité que le produit décrit ici est conforme aux directives et normes en vigueur. Une copie de l'attestation délivrée par l'organisme de certification se trouve en fin de la présente documentation.

Pour obtenir les documentations techniques, s'adresser à :

Hilti Entwicklungsgesellschaft mbH | Zulassung Geräte | Hiltistraße 6 | 86916 Kaufering, DE

2 Sécurité

2.1 Indications générales de sécurité pour les appareils électriques

⚠ AVERTISSEMENT Lire toutes les consignes de sécurité et instructions, illustrations et caractéristiques techniques, qui accompagnent cet outil électroportatif. Tout manquement à l'observation des instructions suivantes risque de provoquer une électrocution, un incendie et/ou de graves blessures.

Les consignes de sécurité et instructions doivent être intégralement conservées pour les utilisations futures.

La notion d'« outil électroportatif » mentionnée dans les consignes de sécurité se rapporte à des outils électriques raccordés au secteur (avec câble d'alimentation) et à des outils électriques sur accu (sans câble d'alimentation).



Sécurité sur le lieu de travail

- ▶ **Conserver la zone de travail propre et bien éclairée.** Un lieu de travail en désordre ou mal éclairé augmente le risque d'accidents.
- ▶ **Ne pas faire fonctionner les outils électriques en atmosphère explosive et où se trouvent des liquides, des gaz ou poussières inflammables.** Les outils électriques produisent des étincelles qui peuvent enflammer les poussières ou les fumées.
- ▶ **Maintenir les enfants et les personnes présentes à l'écart pendant l'utilisation de l'outil électroportatif.** En cas d'inattention il y a risque de perdre le contrôle de l'appareil.

Sécurité relative au système électrique

- ▶ **La fiche de secteur de l'outil électroportatif doit être adaptée à la prise de courant. Ne jamais modifier la fiche de quelque façon que ce soit. Ne pas utiliser d'adaptateurs avec des outils électriques à branchement de terre.** Des fiches non modifiées et des prises de courant adaptées réduiront le risque de choc électrique.
- ▶ **Éviter le contact physique avec des surfaces mises à la terre tels que tuyaux, radiateurs, cuisinières et réfrigérateurs.** Il y a un risque élevé de choc électrique au cas où votre corps serait relié à la terre.
- ▶ **Ne pas exposer les outils électroportatifs à la pluie ou à l'humidité.** La pénétration d'eau à l'intérieur d'un outil électroportatif augmentera le risque d'un choc électrique.
- ▶ **Ne jamais utiliser le câble de raccordement à d'autres fins que celles prévues, telles que pour porter, accrocher ou débrancher l'outil électroportatif de la prise de courant. Maintenir le câble de raccordement à l'écart de la chaleur, des parties grasses, des bords tranchants ou des parties en mouvement.** Des câbles de raccordement endommagés ou emmêlés augmentent le risque de choc électrique.
- ▶ **Si l'outil électroportatif est utilisé à l'extérieur, utiliser uniquement des câbles de rallonge homologués pour les applications extérieures.** L'utilisation d'un câble de rallonge homologué pour les applications extérieures réduit le risque d'un choc électrique.
- ▶ **Si l'utilisation de l'outil électrique dans un environnement humide ne peut pas être évitée, utiliser un interrupteur de protection contre les courants de court-circuit.** L'utilisation d'un tel interrupteur de protection réduit le risque d'une décharge électrique.

Sécurité des personnes

- ▶ **Rester vigilant, surveiller ce que l'on fait. Faire preuve de bon sens en utilisant l'outil électroportatif. Ne pas utiliser l'outil électroportatif en étant fatigué ou sous l'emprise de l'alcool, de drogues ou de médicaments.** Un moment d'inattention lors de l'utilisation de l'outil électroportatif peut entraîner des blessures graves.
- ▶ **Utiliser un équipement de protection personnel et toujours porter une protection pour les yeux.** Les équipements de protection personnels tels que masque antipoussière, chaussures de sécurité antidérapantes, casque de protection ou protection acoustique suivant l'utilisation de l'outil électroportatif, réduiront le risque de blessures des personnes.
- ▶ **Éviter une mise en service par mégarde. S'assurer que l'outil électroportatif est arrêté avant de le brancher à la source de courant et/ou à l'accu, de le prendre ou de le porter.** Le fait de porter l'outil électroportatif avec le doigt sur l'interrupteur ou de brancher l'appareil sur la source de courant lorsque l'interrupteur est en position de fonctionnement peut entraîner des accidents.
- ▶ **Retirer tout outil de réglage ou toute clé avant de mettre l'outil électroportatif en fonctionnement.** Une clé ou un outil se trouvant sur une partie en rotation peut causer des blessures.
- ▶ **Adopter une bonne posture. Veiller à toujours garder une position stable et équilibrée.** Cela permet un meilleur contrôle de l'outil électroportatif dans des situations inattendues.
- ▶ **S'habiller de manière adaptée. Ne pas porter de vêtements amples ni de bijoux. Garder les cheveux, les vêtements et les gants à distance des parties en mouvement.** Des vêtements amples, des bijoux ou des cheveux longs peuvent être happés par des parties en mouvement.
- ▶ **Si des dispositifs servant à aspirer ou à recueillir les poussières doivent être utilisés, s'assurer qu'ils sont effectivement raccordés et correctement utilisés.** L'utilisation d'un dispositif d'aspiration de la poussière peut réduire les risques dus aux poussières.
- ▶ **Ne pas sous-estimer les mesures de sécurité à prendre et ne pas ignorer sciemment les règles de sécurité applicables aux outils électriques, même si l'on est utilisateur chevronné après de fréquentes utilisations de l'outil électroportatif.** Un manque d'attention peut conduire à de graves blessures en quelques fractions de seconde.

Utilisation et maniement de l'outil électroportatif

- ▶ **Ne pas forcer l'appareil. Utiliser l'outil électroportatif adapté au travail à effectuer.** Un outil électroportatif approprié réalisera mieux le travail et de manière plus sûre au régime pour lequel il a été conçu.



- ▶ **Ne pas utiliser d'outil électroportatif dont l'interrupteur est défectueux.** Tout outil électroportatif qui ne peut plus être mis en ou hors fonctionnement est dangereux et doit être réparé.
- ▶ **Débrancher la fiche de la prise de courant et/ou l'accu amovible avant d'effectuer des réglages sur l'appareil, de changer les accessoires, ou de ranger l'appareil.** Cette mesure de précaution empêche une mise en fonctionnement par mégarde de l'outil électroportatif.
- ▶ **Conserver les outils électroportatifs non utilisés hors de portée des enfants. Ne permettre l'utilisation de l'appareil à aucune personne qui ne soit pas familiarisée avec celui-ci ou qui n'a pas lu ces instructions.** Les outils électroportatifs sont dangereux lorsqu'ils sont entre les mains de personnes non initiées.
- ▶ **Prendre soin des outils électroportatifs et des accessoires. Vérifier que les parties en mouvement fonctionnent correctement et qu'elles ne sont pas coincées, et contrôler si des parties sont cassées ou endommagées de sorte que le bon fonctionnement de l'outil électroportatif s'en trouve entravé. Faire réparer les parties endommagées avant d'utiliser l'appareil.** De nombreux accidents sont dus à des outils électroportatifs mal entretenus.
- ▶ **Garder les outils de coupe affûtés et propres.** Des outils destinés à couper correctement entretenus avec des arêtes de coupe tranchantes sont moins susceptibles de bloquer et sont plus faciles à contrôler.
- ▶ **L'outil électroportatif, les accessoires, les outils amovibles, etc. doivent être utilisés conformément à ces instructions. Tenir également compte des conditions de travail et du travail à réaliser.** L'utilisation des outils électroportatifs à d'autres fins que celles prévues peut entraîner des situations dangereuses.
- ▶ **Veiller à ce que les poignées et surfaces de préhension soient toujours être sèches, propres et exemptes de traces de graisse ou d'huile.** Avec des poignées et surfaces de préhension glissantes, la sécurité et le contrôle de l'outil électroportatif ne peuvent être assurés dans des situations inopinées.

SERVICE

- ▶ **L'outil électroportatif doit uniquement être réparé par un personnel qualifié, utilisant exclusivement des pièces de rechange d'origine.** Ceci permet d'assurer la sécurité de l'outil électroportatif.

2.2 Consignes de sécurité pour carotteuses diamant

- ▶ **Lors de la réalisation de travaux de forage qui nécessitent l'utilisation d'eau, diriger l'eau loin de l'espace de travail ou utiliser un dispositif de récupération de liquides.** De telles mesures de sécurité permettent de garder l'espace de travail au sec et réduisent le risque de choc électrique.
- ▶ **Tenir l'outil électroportatif par les surfaces isolées des poignées lors des travaux pendant lesquels l'outil de coupe risque de toucher des câbles électriques cachés ou son propre câble d'alimentation réseau.** Le contact d'un outil de coupe avec un câble conducteur sous tension risque également de mettre sous tension les parties métalliques de l'outil électroportatif et de provoquer un choc électrique.
- ▶ **Lors des travaux de forage au diamant, porter un casque antibruit.** Le bruit peut entraîner des pertes auditives.
- ▶ **Si l'outil amovible est bloqué, arrêter d'avancer et arrêter l'appareil.** Identifier la cause du blocage et l'éliminer pour les outils amovibles bloqués.
- ▶ **Avant de redémarrer une carotteuse diamant qui est bloquée dans la pièce travaillée, vérifier que l'outil amovible n'est pas coincé.** Si l'outil amovible est coincé, il ne peut pas forcément tourner, ce qui peut entraîner une surcharge de l'outil ou le détachement de la carotteuse diamant de la pièce travaillée.
- ▶ **Si la colonne de forage est ancrée sur la pièce travaillée au moyen de brides d'ancrage et de vis, s'assurer que le moyen d'ancrage utilisé suffit pour maintenir la machine en toute sécurité lors de son utilisation.** Si la pièce travaillée n'est pas résistante ou s'avère poreuse, la bride d'ancrage peut être retirée, ce qui provoque le détachement de la colonne de forage de la pièce travaillée.
- ▶ **Lors de forages à travers une paroi ou un plafond, s'assurer que les personnes et l'espace de travail de l'autre côté sont sécurisés.** Il y a en effet risque que la couronne de forage sorte de l'autre côté du trou foré et que la carotte tombe de l'autre côté.
- ▶ **Ne pas utiliser cet outil pour des travaux sous plafond avec une conduite d'alimentation en eau.** La pénétration d'eau à l'intérieur d'un outil électroportatif augmente le risque d'un choc électrique.

2.3 Consignes de sécurité supplémentaires

Sécurité des personnes

- ▶ **Toute manipulation ou modification de l'appareil est interdite.**
- ▶ **L'appareil n'est pas destiné à être utilisé par des personnes affaiblies sans encadrement.**
- ▶ **L'appareil doit être tenu à l'écart des enfants.**



- ▶ **Éviter de toucher des pièces en rotation. Brancher l'appareil uniquement dans l'espace de travail.**
Le fait de toucher des pièces en rotation, en particulier des outils en rotation, risque d'entraîner des blessures.
- ▶ **Éviter que la peau n'entre en contact avec les boues de forage.**
- ▶ Les poussières de matériaux telles que des peintures contenant du plomb, certains types de bois, du béton / de la maçonnerie / des pierres naturelles qui contiennent du quartz ainsi que des minéraux et des métaux peuvent être nuisibles à la santé. Le contact ou l'aspiration de poussière peut provoquer des réactions allergiques et/ou des maladies respiratoires de l'utilisateur ou de toute personne se trouvant à proximité. Certaines poussières, telles que des poussières de chêne ou de hêtre, sont considérées comme cancérogènes, en particulier lorsqu'elles sont combinées à des additifs destinés au traitement du bois (chromate, produit de protection du bois). Les matériaux contenant de l'amiante doivent uniquement être manipulés par des personnes spécialement formées. Si possible, utiliser un dispositif d'aspiration de poussière. Utiliser un aspirateur mobile pour bois et/ou poussières minérales recommandé par Hilti, spécialement étudié pour cet outil électroportatif. Veiller à ce que le poste de travail soit bien ventilé. Il est recommandé de porter un masque antipoussière adapté à la poussière concernée. Respecter les prescriptions locales en vigueur qui s'appliquent aux matériaux travaillés.
- ▶ La carotteeuse diamant et la couronne diamantée sont lourdes. Il y a risque d'écraser des parties du corps. **Pendant l'utilisation de l'appareil, l'utilisateur et les personnes se trouvant à proximité de l'appareil doivent porter des lunettes de protection adaptées, un casque de protection, un casque antibruit, des gants de protection et des chaussures de sécurité.**

Utilisation et emploi soigneux de l'outil électroportatif

- ▶ **Vérifier que l'appareil est correctement fixé dans la colonne de forage.**
- ▶ **Veiller à ce qu'une butée d'extrémité soit toujours montée sur la colonne de forage, sans quoi la fonction de butée d'extrémité de sécurité n'est pas assurée.**
- ▶ **Vérifier que les outils sont bien munis du système d'emmanchement adapté à l'appareil et qu'ils sont toujours correctement verrouillés dans le porte-outil.**

Sécurité relative au système électrique

- ▶ **Les câbles de raccordement avec prises multiples et le fonctionnement simultané de plusieurs appareils doivent être évités.**
- ▶ **L'appareil doit uniquement être activé sur des réseaux avec conducteurs de protection et de dimensionnement suffisant.**
- ▶ **Avant d'entamer le travail, vérifier, par exemple à l'aide d'un détecteur de métaux, qu'il n'y a pas de câbles ou gaines électriques, tuyaux de gaz ou d'eau cachés dans la zone d'intervention.** Toutes pièces métalliques extérieures de l'appareil peuvent devenir conductrices, par exemple, lorsqu'un câble électrique est endommagé par inadverdance. Cela peut entraîner un grave danger d'électrocution.
- ▶ **Veiller à ce que le câble d'alimentation réseau ne soit pas endommagé lorsque le boîtier de guidage avance.**
- ▶ **Ne jamais faire fonctionner l'appareil sans le disjoncteur PRCD fourni (pour les appareils sans PRCD, jamais sans le transformateur de séparation). Contrôler le disjoncteur PRCD avant chaque utilisation.**
- ▶ **Contrôler régulièrement les câbles de raccordement de l'appareil et les faire remplacer par un spécialiste s'ils sont endommagés. Si le câble de raccordement de l'appareil électrique est endommagé, il doit être remplacé par un câble de raccordement spécialement préparé et autorisé, disponible auprès du service après-vente. Contrôler régulièrement les câbles de rallonge et les remplacer s'ils sont endommagés. Si le câble d'alimentation réseau ou de rallonge est endommagé pendant le travail, ne pas le toucher. Débrancher la fiche de la prise.** Les cordons d'alimentation et câbles de rallonge endommagés représentent un danger d'électrocution.
- ▶ **Ne jamais faire fonctionner l'appareil s'il est encrassé ou mouillé.** La poussière accumulée sur les faces de l'appareil, en particulier celle produite par des matériaux conducteurs, ou l'humidité risquent, dans des conditions défavorables, de provoquer une décharge électrique. C'est pourquoi il convient de faire réviser les appareils encrassés par le S.A.V. Hilti à intervalles réguliers, surtout s'ils sont utilisés sur des matériaux conducteurs.

Place de travail

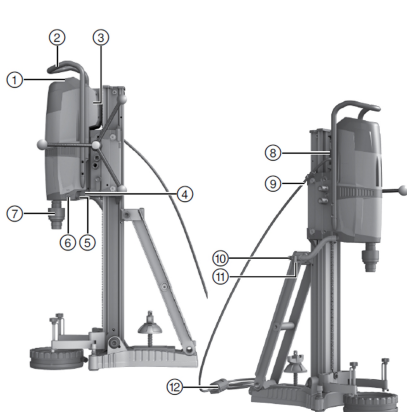
- ▶ **Faire confirmer les travaux de forage par la direction des travaux.** Les travaux de forage dans des bâtiments et autres structures sont susceptibles de modifier la statique de la construction, en particulier lors d'interventions sur des armatures métalliques ou des éléments porteurs.
- ▶ **Si la colonne de forage n'est pas bien fixée, toujours guider l'appareil monté sur la colonne de forage complètement jusqu'en bas, pour éviter tout basculement.**
- ▶ **Tenir le câble d'alimentation réseau, le câble de rallonge et le tuyau d'aspiration à l'écart des pièces en rotation.**



- ▶ Pour des forages à eau sous plafond, le système de récupération d'eau doit impérativement être utilisé avec un aspirateur de liquides.
- ▶ La fixation par ventouses, sans fixation supplémentaire, est interdite pour tout travail sous plafond.
- ▶ Pour des forages horizontaux avec fixation par ventouses (accessoire), la colonne de forage ne doit pas être utilisée sans dispositif de sécurité supplémentaire.

3 Description

3.1 Vue d'ensemble du produit 1



- ① Panneau de commande et d'affichage
- ② Étrier de transport
- ③ Plaque d'indication de la puissance
- ④ Poignée
- ⑤ Bouchon d'évacuation d'eau
- ⑥ Distributeur à 3 voies
- ⑦ Mandrin
- ⑧ Douille de connexion
- ⑨ Guide-câble
- ⑩ Raccord d'eau
- ⑪ Régulation du débit d'eau
- ⑫ Câble d'alimentation avec disjoncteur PRCD

3.2 Panneau de commande et d'affichage 2

- ① Variateur de vitesse
- ② Indicateur de puissance de forage
- ③ Surveillance de la température / Courant de défaut
- ④ Interrupteur de mise en marche
- ⑤ Interrupteur d'arrêt
- ⑥ Touche de fonction fer (Iron Boost)
- ⑦ Indicateur de maintenance

3.3 Semelle-ventouse (accessoires) 3

- ① Détendeur de pression
- ② Raccord à vide
- ③ Joint de la semelle-ventouse
- ④ Manomètre
- ⑤ Point d'attache du chariot
- ⑥ Vis de mise à niveau (4x)

3.4 Vue d'ensemble des accessoires 4

Colonne de forage DD-HD 30 (accessoires)

- ① Déclenchement en fin de course avec couvercle de crémaillère
- ② Affichages de mise à niveau (2x)
- ③ Boîtier de guidage
- ④ Poignée de manutention (2x)
- ⑤ Étai
- ⑥ Vis de mise à niveau (3x)
- ⑦ Point d'attache du chariot
- ⑧ Semelle
- ⑨ Rail
- ⑩ Dispositif de blocage du boîtier de guidage
- ⑪ Boulon d'excentrique (blocage de l'appareil)
- ⑫ Volant à main
- ⑬ Position de bride d'ancrage
- ⑭ Réducteur (1:3)
- ⑮ Entraînement direct (1:1)
- ⑯ Plaque d'indication de la puissance
- ⑰ Indicateur du centre du trou

Kit de fixation pour colonne de forage (accessoire)

- ⑱ Écrou de serrage
- ⑲ Broche de serrage



Système de récupération d'eau (accessoire)

⑳ Joint d'étanchéité

㉓ Support du collecteur d'eau

㉑ Collecteur d'eau

3.5 Utilisation conforme à l'usage prévu

Le produit décrit est une carotteuse diamant électrique destinée au forage à eau sur colonne de percages traversants et non traversants dans des matériaux supports (armés) de type minéral à l'aide de couronnes diamantées de forage.

Lors de l'utilisation de la carotteuse diamant, il est impératif d'utiliser la colonne de forage et de veiller à un ancrage suffisant avec bride d'ancrage ou semelle-ventouse dans le matériau support.

- ▶ L'appareil ne doit fonctionner qu'avec la tension réseau et la fréquence réseau indiquées sur la plaque signalétique.
- ▶ Le produit décrit n'est pas conçu pour un fonctionnement à guidage manuel.

3.6 Application des différents équipements

Si la crémaillère de forage est rallongée de 2 m et plus, un support supplémentaire doit être utilisé.

Équipement	Diamètre de couronne de forage \varnothing	Sens de forage	Longueur de travail standard
Appareil avec système de récupération d'eau	52 mm...250 mm (2,0 in...9,8 in)	Tous les sens	500 mm (19,7 in)
Appareil sans système d'eau	52 mm...500 mm (2,0 in...19,7 in)	Tous les sens	500 mm (19,7 in)

3.7 Affichages

État	Signification
L'indicateur de maintenance est allumé	Faire réparer le produit par le S.A.V. Hilti .
L'indicateur de maintenance clignote momentanément	Erreur sur le produit.
L'indicateur de maintenance clignote en continu	Faire réparer le produit par le S.A.V. Hilti .
Les indicateurs relatifs au refroidissement et erreur de tension s'allument	Contrôler le débit d'eau.
Les indicateurs relatifs au refroidissement et erreur de tension clignotent	Contrôler l'alimentation en tension.
Indicateur de puissance de forage allumé en vert	Pression d'appui optimale (après l'amorçage).
Indicateur de puissance de forage allumé en orange	Pression d'appui réduite, p. ex. à l'amorçage du forage.
Indicateur de puissance de forage allumé en rouge	Pression d'appui trop forte.

3.8 Éléments livrés

Carotteuse diamant, mode d'emploi.

D'autres produits système autorisés pour votre produit peuvent être obtenus auprès du centre **Hilti Store** ou en ligne sous : www.hilti.group | États-Unis : www.hilti.com.

4 Caractéristiques techniques

4.1 Carotteuse diamant



Les données de tension nominale, courant nominal, fréquence et / ou consommation nominale figurent sur la plaque signalétique spécifique au pays.

En cas d'utilisation avec un groupe électrogène ou un transformateur, leur puissance d'alimentation doit être au moins égale au double de la puissance indiquée sur la plaque signalétique de l'appareil. La tension de



service du groupe électrogène ou du transformateur doit être toujours comprise entre +5 % et -15 % par rapport à la tension nominale de l'appareil.

	DD 350
Porte-outil	BL
Pression d'eau max. admissible	6 bar
Débit d'eau min. (max. +30 °C)	0,5 l/min
Poids de l'appareil principal	14,4 kg (31,7 lb)
Poids avec colonne de forage	34,9 kg (76,9 lb)
Puissance absorbée de référence	3.600 W
Profondeur de forage max. sans rallonge	500 mm (19,7 in)
Classe de protection	I
Disjoncteur différentiel	PRCD
Protection contre la poussière et l'eau	IP 55

4.2 Choix de la vitesse selon le diamètre de couronne de forage

	Diamètre de couronne de forage \varnothing	Diamètre de couronne de forage \varnothing	Vitesse de rotation à vide (240 V)	Vitesse de rotation à vide (110 V)
1	52 mm ... 62 mm	2 in ... 2 3/8 in	667 tr/min	667 tr/min
2	72 mm ... 92 mm	2 3/4 in ... 3 1/2 in	667 tr/min	667 tr/min
3	102 mm ... 112 mm	4 in ... 4 1/2 in	667 tr/min	619 tr/min
4	122 mm	4 3/4 in	619 tr/min	571 tr/min
5	127 mm ... 142 mm	5 in ... 5 1/2 in	571 tr/min	524 tr/min
6	152 mm ... 162 mm	6 in ... 6 3/4 in	524 tr/min	464 tr/min
7	172 mm ... 182 mm	6 3/4 in ... 7 in	405 tr/min	369 tr/min
8	202 mm	8 in	357 tr/min	321 tr/min
9	225 mm ... 250 mm	9 in ... 10 in	310 tr/min	286 tr/min
10	300 mm ... 500 mm	12 in ... 20 in	286 tr/min	238 tr/min

5 Utilisation

5.1 Préparatifs



AVERTISSEMENT

Risque de blessure dû à une fixation insuffisante ! Si une colonne de forage est utilisée, celle-ci peut tourner ou pivoter si la fixation est insuffisante.

- ▶ Fixer la colonne de forage au moyen de chevilles ou d'une semelle-ventouse sur le matériau support approprié avant d'utiliser la foreuse au diamant.
- ▶ Utiliser uniquement des chevilles qui conviennent pour le matériau support existant et observer les instructions de montage du fabricant de chevilles.
- ▶ Utiliser une semelle-ventouse seulement si le matériau support existant convient pour la fixation de la colonne de forage au moyen d'une ventouse.

5.1.1 Montage de la colonne de forage

1. Desserrer la vis sur le haut de l'étau puis en dessous, au niveau de l'articulation basculante de la crémaillère.
2. Mettre la crémaillère en position verticale.
3. Resserrer fermement les vis sur le haut de l'étau puis en dessous, au niveau de l'articulation basculante de la crémaillère.
4. Monter le couvercle avec butée d'extrémité intégrée sur l'extrémité supérieure de la crémaillère.



5.1.2 Montage du volant



Le volant à main peut être monté à droite ou à gauche sur le boîtier de guidage, sur deux axes différents. Si le volant à main est monté directement sur l'axe supérieur, l'axe agit directement sur l'entraînement du boîtier de guidage. Si le volant à main est monté directement sur l'axe inférieur, l'axe agit par le biais d'un réducteur sur l'entraînement du boîtier de guidage.

1. Monter le volant à main du côté correspondant sur l'axe souhaité.
2. Bloquer le volant à main à l'aide de la vis.

5.1.3 Fixation de la colonne de forage avec bride d'ancrage 6



AVERTISSEMENT

Risque de blessures entraînées par l'utilisation d'une bride d'ancrage inappropriée ! L'appareil risque de se détacher et de provoquer des dommages.

- Utiliser la cheville adaptée au matériau support et observer les instructions de montage du fabricant de chevilles.

1. Mettre la bride d'ancrage pour la semelle à 330 mm (13 in) du centre du trou à forer.



La distance est augmentée si une entretoise est utilisée.

2. Visser la broche de serrage dans la bride.
3. Poser la colonne de forage sur la broche et l'orienter.
4. Visser l'écrou tendeur sur la broche sans serrer.
5. Mettre la semelle à niveau à l'aide des vis de mise à niveau.
6. Serrer l'écrou tendeur sur la broche de serrage à l'aide d'une clé à fourche appropriée.
7. S'assurer que la colonne de forage est fixée de manière sûre.

5.1.4 Fixation de la colonne de forage avec une semelle-ventouse 7



DANGER

Risque de blessures entraînées par la chute de la carotteuse diamant !

- Il est interdit de fixer la colonne de forage au plafond uniquement avec fixation par ventouses. Une fixation supplémentaire peut être p. ex. assurée à l'aide d'un étai ou d'une broche filetée.



AVERTISSEMENT

Risque de blessures en cas d'absence de contrôle de la pression !

- Avant et en cours de forage, veiller à ce que l'indicateur du manomètre se trouve dans la zone verte.



Si la colonne de forage est utilisée avec une semelle à bride d'ancrage, vérifier qu'il y a une liaison ferme et plane entre la semelle-ventouse et la semelle à bride d'ancrage. Visser la semelle à bride d'ancrage sur la semelle-ventouse. S'assurer que la couronne diamantée choisie n'endommage pas la semelle-ventouse.

Pour les forages horizontaux, sécuriser la fixation de la carotteuse diamant (par ex. chaîne avec bride d'ancrage).

Lire le mode d'emploi de la pompe à vide.



Avant de positionner la colonne de forage, vérifier qu'il y a suffisamment d'espace disponible pour le montage et l'utilisation.

1. Tourner toutes les vis de mise à niveau de sorte qu'elles dépassent de 5 mm environ sous la semelle-ventouse.
2. Fixer les raccords à vide de la semelle-ventouse à l'aide de la pompe à vide.
3. Placer la colonne de forage sur la semelle-ventouse.
4. Monter la colonne de forage avec la vis fournie et rondelle intercalée sur la semelle-ventouse et bien serrer la vis.



5. Déterminer le centre du trou de forage.
6. Tirer une ligne d'env. 800 mm de long dans le sens prévu pour le système de carottage.
7. Placer un repère à une distance de 165 mm (6 1/2 in) du centre du trou de forage sur la ligne de 800 mm de long.
8. Mettre la pompe à vide en marche, appuyer sur le détenteur de pression et le maintenir enfoncé.
9. Positionner la colonne de forage sur le matériau support.
10. Relâcher la vanne de vide.
11. Mettre à niveau la semelle-ventouse à l'aide des vis de mise à niveau.
 - ▶ L'indicateur du manomètre se trouve dans la zone verte.



La semelle à bride d'ancrage ne doit pas être mise à niveau sur la semelle-ventouse.

12. Bloquer la colonne de forage au niveau des alésages horizontaux.
13. S'assurer que la colonne de forage est fixée de manière sûre.

5.1.5 Réglage de l'angle de forage sur la colonne à l'aide de la semelle combinée

ATTENTION

Risque d'écrasement des doigts dans la zone d'articulation ! Le desserrage du mécanisme de serrage peut entraîner un basculement abrupt de la colonne de forage.

- ▶ Porter des gants de protection.
 - ▶ Avant de desserrer le mécanisme de serrage, sécuriser la colonne de forage pour l'empêcher de basculer.
1. Desserrer les vis sur le haut de l'étau puis en dessous, au niveau de l'articulation basculante de la crémaillère.
 2. Mettre la crémaillère dans la position choisie.
 3. Serrer fermement les vis, en haut de l'étau puis en dessous, au niveau de l'articulation basculante de la crémaillère.

5.1.6 Rallongement de la crémaillère



Pour l'amorçage du forage, les couronnes de forage ou les couronnes de forage rallongées peuvent seulement être utilisées jusqu'à une longueur totale maximale de 650 mm (25 1/2 in).

Une butée de profondeur peut être utilisée sur la crémaillère comme butée d'extrémité supplémentaire. Après avoir démonté la rallonge de crémaillère, remonter le couvercle (avec butée d'extrémité intégrée) sur la colonne de forage. Si tel n'est pas le cas, la fonction de butée d'extrémité de sécurité n'est pas assurée.

1. Enlever le couvercle (avec butée d'extrémité intégrée) sur l'extrémité supérieure de la crémaillère.
2. Monter le couvercle sur la rallonge de crémaillère.
3. Insérer le tube de rallonge de crémaillère dans la crémaillère de la colonne de forage.
4. Fixer la rallonge de crémaillère en tournant le boulon d'excentrique.

5.1.7 Montage de l'entretoise

AVERTISSEMENT

Risque de blessures. La fixation peut être soumise à des contraintes excessives.

- ▶ En cas d'utilisation d'une ou de plusieurs entretoises, réduire la force d'appui pour ne pas trop solliciter la fixation.



Si le diamètre de couronne de forage >300 mm (>11 1/2 in), la distance entre l'axe de forage et la colonne de forage doit être prolongée à l'aide d'une entretoise. L'indicateur du centre de forage n'est pas fonctionnel lorsqu'une entretoise est utilisée.

Pour le montage de l'entretoise, la carotreuse diamant n'est pas montée.

1. Bloquer le boîtier de guidage sur la crémaillère à l'aide du dispositif de blocage du boîtier de guidage.
2. Retirer le boulon d'excentrique de blocage de la carotreuse diamant du boîtier de guidage.
3. Insérer l'entretoise dans le boîtier de guidage.
4. Pousser le boulon d'excentrique jusqu'en butée dans le boîtier de guidage.



5. Serrer fermement le boulon d'excentrique.
6. S'assurer que l'entretoise est fixée de manière sûre.

5.1.8 Fixation de la carotteuse diamant sur la colonne de forage **11**

ATTENTION

Risque de blessures Danger du fait d'une mise en marche inopinée de la carotteuse diamant.

- ▶ Pendant le changement d'équipement, la carotteuse diamant ne doit pas être branchée au réseau électrique.

1. Bloquer le boîtier de guidage sur la crémaillère à l'aide du dispositif de blocage du boîtier de guidage.
2. Retirer le boulon d'excentrique de blocage de la carotteuse diamant du boîtier de guidage.
3. Placer la carotteuse diamant dans le boîtier de guidage ou dans l'entretoise.
4. Pousser le boulon d'excentrique jusqu'en butée dans le boîtier de guidage ou dans l'entretoise.
5. Serrer fermement le boulon d'excentrique.
6. Attacher le câble d'alimentation dans le guide-câble sur le couvercle du boîtier de guidage.
7. S'assurer que la carotteuse diamant est fixée de manière sûre sur la colonne de forage.

5.1.9 Installation du raccordement d'eau

ATTENTION

Mise en danger en cas d'utilisation incorrecte ! Le flexible risque d'être endommagé en cas d'utilisation incorrecte .

- ▶ Contrôler régulièrement le flexible afin de vérifier qu'il n'est pas endommagé et s'assurer que la pression maximale autorisée n'est pas dépassée dans la conduite d'eau (voir Caractéristiques techniques).
- ▶ Veiller à ce que le flexible n'entre pas en contact avec des pièces en rotation.
- ▶ Veiller à ce que le flexible ne soit pas endommagé lorsque le boîtier de guidage avance.
- ▶ Tenir compte des indications relatives à la température maximale de l'eau au chapitre Caractéristiques techniques.
- ▶ Vérifier que le système à eau raccordé est bien étanche.

Utiliser uniquement de l'eau claire ou de l'eau exempte de particules de saleté pour éviter d'endommager les composants.
En tant qu'accessoire, un indicateur de débit peut être monté entre l'appareil et la conduite d'alimentation en eau.

1. Raccorder le dispositif de régulation du débit d'eau à la carotteuse diamant.
2. Établir le branchement avec la conduite d'alimentation en eau (raccord d'entrée du flexible).

5.1.10 Montage du système de récupération d'eau (accessoire) **12**

AVERTISSEMENT

Danger d'électrocution ! En cas d'aspiration défectueuse, de l'eau peut s'écouler au-dessus du moteur et du couvercle !

- ▶ Interrompre immédiatement le travail si l'aspiration ne fonctionne plus.

La carotteuse diamant doit être située à un angle de 90° par rapport au plafond. L'anneau d'étanchéité du système de récupération d'eau doit être adapté au diamètre de la couronne diamantée.

L'utilisation d'un système de récupération d'eau permet d'évacuer l'eau de manière ciblée et d'éviter de salir l'environnement de travail. Un résultat optimal est atteint en combinaison avec un aspirateur de liquides.

En cas d'utilisation de la colonne de forage : Avant de procéder au montage du collecteur d'eau, visser l'entretoise pour le collecteur d'eau sur la colonne de forage en serrant bien.

1. Desserrer la vis sur la colonne de forage sur la face avant sous la crémaillère.



2. Pousser le support du collecteur d'eau par le bas derrière la vis.
3. Serrer la vis à fond.
4. Mettre en place le collecteur d'eau, entre les deux bras mobiles du montant support, avec joint d'étanchéité et anneau d'étanchéité du système de récupération montés.
5. Fixer le collecteur d'eau avec les deux vis sur le support.
6. Raccorder un aspirateur de liquides au collecteur d'eau ou raccorder un tuyau afin de permettre l'évacuation de l'eau.

5.1.11 Mise en place de la couronne diamantée

DANGER

Risque de blessures Des éclats de la pièce travaillée ou des accessoires cassés risquent d'être projetés et de provoquer des blessures même à l'extérieur de l'espace de travail direct.

- ▶ Ne pas utiliser d'accessoires endommagés. Avant chaque utilisation, vérifier que les accessoires ne sont ni écaillés ni usés ou fortement détériorés.

ATTENTION

Risque de blessures lors du remplacement des outils ! Après utilisation, l'outil peut être très chaud. Il peut présenter des bords tranchants.

- ▶ Toujours porter des gants lors du remplacement des outils.



Les couronnes diamantées doivent être remplacées, sitôt que les performances de tronçonnage resp. la progression de forage sont nettement réduites. C'est d'une manière générale le cas, lorsque la hauteur des segments diamantés est inférieure à 2 mm (1/16 in).

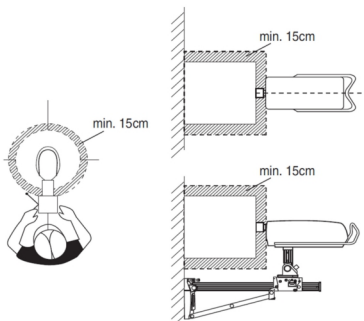
1. Bloquer le boîtier de guidage sur la crémaillère à l'aide du dispositif de blocage du boîtier de guidage. S'assurer que le système est fixé de manière sûre.
2. Ouvrir le porte-outil en tournant dans le sens du symbole **Étrier ouvert**.
3. Insérer le système d'emmanchement de la couronne diamantée par le bas sur la denture du porte-outil de la caroteuse diamant.
4. Fermer le porte-outil en tournant dans le sens du symbole **Étrier fermé**.
5. Vérifier que la couronne diamantée est bien en place dans le porte-outil.

5.1.12 Réglage de la butée de profondeur (accessoire)

1. Tourner le volant à main jusqu'à ce que la couronne de forage touche le matériau support.
2. Régler le profondeur de forage souhaitée en respectant la distance entre le boîtier de guidage et la butée de profondeur.
3. Fixer le diamètre de la butée de profondeur.

5.2 Travail

5.2.1 Périmètre de sécurité



La zone hachurée définit le périmètre de sécurité à respecter autour de la caroteuse diamant.



- En cours de fonctionnement, se tenir à une distance minimale de 15 cm de la couronne de forage.
- Lors de l'opération de forage se tenir derrière la colonne de forage.

5.2.2 Sélection de la vitesse de rotation



Actionner exclusivement le contacteur à l'arrêt.

1. Choisir la vitesse selon le diamètre de couronne de forage utilisé.
2. Tourner le commutateur tout en tournant la couronne diamantée à la main, jusqu'à la position recommandée.

5.2.3 Disjoncteur à tension nulle PRCD

1. Insérer la fiche d'alimentation de la carotteuse diamant dans une prise terre.
2. Appuyer sur la touche **ON** du disjoncteur à tension nulle PRCD.
 - ▶ L'affichage s'allume.
3. Appuyer sur la touche **TEST** du disjoncteur à tension nulle PRCD.
 - ▶ L'affichage s'éteint.



AVERTISSEMENT

Risque de blessures entraînées par électrocution ! Si l'affichage du conducteur de protection contre les courants de défaut ne disparaît pas en appuyant sur la touche **0** resp. **TEST**, la carotteuse diamant ne doit plus être utilisée !

- ▶ Faire réparer la carotteuse diamant par le S.A.V. **Hilti**.
-
4. Appuyer sur la touche **ON** du disjoncteur à tension nulle PRCD.
 - ▶ L'affichage s'allume.

5.2.4 Amorce avec la fonction d'amorçage

1. Approcher la couronne de forage au plus près du matériau support sans qu'elle ne touche le matériau support.
2. Appuyer sur l'interrupteur de mise en marche de la carotteuse diamant.
3. Réappuyer sur l'interrupteur de mise en marche de la carotteuse diamant.
 - ▶ La couronne de forage tourne lentement (21 tr/min)
4. Appuyer la couronne diamantée sur le matériau support.
5. Après 5 secondes, appuyer à nouveau sur l'interrupteur de mise en marche.
 - ▶ La couronne de forage tourne encore une fois.
6. Poursuivre le processus de forage.

5.2.5 Maniement de la carotteuse diamant 14



AVERTISSEMENT

Danger pour les personnes et le matériel La carotteuse diamant peut être endommagée et le risque de choc électrique est accru.

- ▶ Pour des forages à eau sous plafond, le système de récupération d'eau doit impérativement être utilisé avec un aspirateur de liquides.
-



DANGER

Danger pour les personnes et le matériel L'aspirateur de liquides se met en marche ou s'arrête avec retard. Il y a par conséquent risque que de l'eau pénètre dans la carotteuse diamant. La carotteuse diamant peut être endommagée et le risque de choc électrique est accru.

- ▶ En cas de forage vers le haut, l'aspirateur de liquides est démarré à la main avant l'ouverture de l'alimentation en eau, de même qu'il doit être arrêté manuellement après coupure de l'alimentation en eau.
-



⚠ DANGER

Danger pour les personnes et le matériel La carotteuse diamant peut être endommagée et le risque de choc électrique est accru.

- ▶ En cas de forage vers le haut, interrompre le travail si l'aspiration ne fonctionne plus (p. ex. l'aspirateur de liquides est plein).

⚠ AVERTISSEMENT

Danger pour les personnes et le matériel En cas de forage en biais, le système de récupération d'eau est désactivé. La carotteuse diamant peut être endommagée et le risque de choc électrique est accru.

- ▶ Ne jamais forer en biais vers le haut.

1. Ouvrir lentement le dispositif de régulation du débit d'eau jusqu'à ce que la quantité d'eau souhaitée coule.
2. Appuyer sur l'interrupteur de mise en marche de la carotteuse diamant.
3. Ouvrir le dispositif de blocage du boîtier de guidage.
4. Tourner le volant à main jusqu'à ce que la couronne de forage touche le matériau support.
5. Au début du forage, appuyer légèrement seulement le temps que la couronne diamantée se centre. Renforcer ensuite la pression.
6. Régler la force d'appui selon l'indication de puissance de forage.

5.2.6 Utilisation à sec de la carotteuse diamant 

⚠ DANGER

Danger pour les personnes et le matériel La carotteuse diamant peut être endommagée et le risque de choc électrique est accru.

- ▶ En cas de forage vers le haut, interrompre le travail si l'aspiration ne fonctionne plus (p. ex. l'aspirateur de liquides est plein).

⚠ AVERTISSEMENT

Danger pour les personnes et le matériel En cas de forage en biais, le système de récupération d'eau est désactivé. La carotteuse diamant peut être endommagée et le risque de choc électrique est accru.

- ▶ Ne jamais forer en biais vers le haut.



Utiliser un masque de protection respiratoire.

1. Raccorder un dispositif d'aspiration des poussières et de l'air comprimé.
2. Régler le distributeur à 3 orifices sur la carotteuse sur **Forage à sec**.
3. Appuyer sur l'interrupteur de mise en marche de la carotteuse diamant.
4. Ouvrir le dispositif de blocage du boîtier de guidage.
5. Tourner le volant à main jusqu'à ce que la couronne de forage touche le matériau support.
6. Au début du forage, appuyer légèrement seulement le temps que la couronne diamantée se centre. Renforcer ensuite la pression.
7. Régler la force d'appui selon l'indication de puissance de forage.

5.2.7 Mise en arrêt de la carotteuse diamant

⚠ AVERTISSEMENT

Danger pour les personnes et le matériel Lors de forages effectués sous plafond, la couronne diamantée se remplit d'eau. La carotteuse diamant peut être endommagée et le risque de choc électrique est accru.

- ▶ À la fin d'un forage vers le haut, avant de poursuivre, laisser l'eau s'écouler avec précaution. Débrancher le tuyau d'arrivée d'eau sur le dispositif de régulation du débit d'eau et ouvrir le dispositif de régulation du débit d'eau pour laisser l'eau s'écouler. L'eau ne doit cependant pas couler sur l'unité moteur et le couvercle.



1. Si la condition suivante est remplie, procéder de plus à cette action :

Conditions: Forage vers le haut

- ▶ Régler le distributeur à 3 orifices en position médiane pour laisser s'écouler l'eau de la couronne de forage.
2. Tirer la couronne diamantée hors du trou de forage.
 3. Arrêter la carotteuse diamant.
 4. Bloquer le boîtier de guidage sur la crémaillère à l'aide du dispositif de blocage du boîtier de guidage.
 5. Le cas échéant, arrêter l'aspirateur de liquides.

5.2.8 Étapes de travail en cas de couronne de forage coincée

Si la couronne de forage est coincée, l'accouplement à friction se désengage d'abord. Puis le moteur s'arrête. Pour débloquer la couronne de forage, réaliser les étapes suivantes :

5.2.8.1 Desserrage de la couronne de forage

1. Débrancher la fiche de la prise.
2. Si la condition suivante est remplie, procéder de plus à cette action :

Conditions: Desserrage de la couronne de forage à l'aide de la clé à fourche

- ▶ Desserrer la couronne de forage, près de l'emmanchement, à l'aide d'une clé à fourche.
 - ▶ Desserrer la couronne de forage en tournant.
3. Si la condition suivante est remplie, procéder de plus à cette action :

Conditions: Desserrage à la main

- ▶ Desserrer la couronne de forage à l'aide du volant hors du matériau support.
 - ▶ S'assurer qu'il est bien bloqué en tournant légèrement le volant à main.
 - ▶ Brancher la fiche d'alimentation de la carotteuse diamant dans la prise.
4. Brancher la fiche d'alimentation de la carotteuse diamant dans la prise.
 5. Poursuivre l'opération de forage.

5.2.9 Démontage de la couronne de forage diamantée **16**

1. Débrancher la fiche de la prise.
2. Bloquer le boîtier de guidage sur la crémaillère.
3. S'assurer qu'il est bien bloqué en tournant légèrement le volant à main.
4. Ouvrir le porte-outil en tournant dans le sens du symbole **Étrier ouvert**.
5. Enlever la couronne de forage.

5.2.10 Retrait de la carotteuse diamant **17**

1. Bloquer le boîtier de guidage sur la crémaillère à l'aide du dispositif de blocage du boîtier de guidage. S'assurer que le système est fixé de manière sûre.
2. Bien tenir la carotteuse diamant par la poignée.
3. Desserrer le boulon d'excentrique du dispositif de blocage de la carotteuse.
4. Sortir le boulon d'excentrique.
5. Enlever la carotteuse diamant du boîtier de guidage.
6. Pousser le boulon d'excentrique jusqu'en butée dans le boîtier de guidage.

6 Nettoyage et entretien



AVERTISSEMENT

Danger d'électrocution ! Les travaux de nettoyage et d'entretien effectués avec fiche branchée à la prise peuvent entraîner de graves blessures ou brûlures.

- ▶ Toujours retirer la fiche de la prise avant tous travaux de nettoyage et d'entretien !

Nettoyage

- Éliminer prudemment les saletés récalcitrantes.
- Nettoyer les ouïes d'aération avec précaution au moyen d'une brosse sèche.
- Nettoyer le boîtier uniquement avec un chiffon légèrement humidifié. Ne pas utiliser de nettoyants à base de silicone, ceci pourrait attaquer les pièces en plastique.



Entretien

AVERTISSEMENT

Risque d'électrocution ! Des réparations inappropriées sur des composants électriques peuvent entraîner de graves blessures corporelles et brûlures.

- ▶ Toute réparation des pièces électriques ne doit être effectuée que par un électricien qualifié.
- Vérifier régulièrement qu'aucune pièce visible n'est endommagée et que les organes de commande sont parfaitement opérationnels.
- En cas d'endommagements et/ou de dysfonctionnements, ne pas utiliser l'appareil. Le faire immédiatement réparer par le S.A.V. **Hilti**.
- Après des travaux de nettoyage et d'entretien, vérifier si tous les équipements de protection sont bien en place et fonctionnent parfaitement.

6.1 Réglage du jeu entre la crémaillère et le boîtier de guidage

Les 4 vis de réglage sur le boîtier de guidage permettent de régler le jeu entre la crémaillère et le boîtier de guidage. Les 4 rouleaux réglables se règlent comme suit.

1. Desserrer les vis de réglage à l'aide d'une clé pour vis à six pans creux SW5 (sans les sortir).
2. Tourner les quatre vis de réglage à l'aide d'une clé à fourche SW19, et appuyer ainsi légèrement les galets sur la crémaillère.
3. Serrer les vis de réglage à fond. Le boîtier de guidage est correctement réglé, s'il reste sans carotteuse au diamant montée dans sa position et s'il descend avec une carotteuse au diamant.

7 Transport et entreposage

- Ne pas transporter l'appareil électrique avec un outil monté.
- Toujours stocker l'appareil électrique avec la fiche secteur débranchée de la prise.
- Sécher l'appareil et le stocker hors de portée des enfants et des personnes non autorisées.
- Après un transport ou stockage prolongé de l'appareil électrique, toujours vérifier qu'il n'est pas endommagé avant de l'utiliser.

7.1 Interruptions de travail et entreposage en cas de gel

Si la température est inférieure à 4 °C (39°F) en cas d'interruptions de travail supérieures à une heure ou d'entreposage, l'eau doit être soufflée hors des conduites d'eau par de l'air comprimé.

1. Couper l'arrivée d'eau.
2. Débrancher le tuyau d'arrivée d'eau de la carotteuse diamant.
3. Ouvrir le dispositif de régulation du débit d'eau.
4. Régler le distributeur à 3 orifices sur **Forage à eau**.
5. Souffler l'eau avec de l'air comprimé hors des conduites d'eau (max. 3 bar).


8 Aide au dépannage

En cas de défaillances non énumérées dans ce tableau ou auxquelles il n'est pas possible de remédier sans aide, contacter le S.A.V. **Hilti**.

8.1 La carotteuse au diamant est en état de fonctionner

Défaillance	Causes possibles	Solution
<p>L'indicateur de maintenance s'allume.</p>	Intervalle d'entretien atteint.	<ul style="list-style-type: none"> ▶ À l'occasion, confier la carotteuse à Hilti.




Défaillance	Causes possibles	Solution
 L'indicateur de maintenance clignote.	Dépassement de l'intervalle d'entretien.	<ul style="list-style-type: none"> ► Confier la carotteuse au diamant à Hilti.
La vitesse de forage diminue.	Profondeur de forage maximale atteinte.	<ul style="list-style-type: none"> ► Retirer la carotte et utiliser une rallonge de couronne de forage.
	Carotte coincée dans la couronne de forage diamantée.	<ul style="list-style-type: none"> ► Retirer la carotte.
	Spécification erronée du matériau support.	<ul style="list-style-type: none"> ► Choisir une spécification de couronne diamantée plus en adéquation.
	Forte proportion d'acier (reconnaissable à l'eau claire mêlée à des copeaux métalliques).	<ul style="list-style-type: none"> ► Choisir une spécification de couronne diamantée plus en adéquation.
	Couronne de forage diamantée défectueuse.	<ul style="list-style-type: none"> ► Vérifier que la couronne de forage diamantée n'est pas endommagée et la remplacer le cas échéant.
	Sélection d'un régime inapproprié.	<ul style="list-style-type: none"> ► Choisir le régime approprié.
	Force d'appui trop faible.	<ul style="list-style-type: none"> ► Augmenter la force d'appui.
	Puissance de l'appareil insuffisante.	<ul style="list-style-type: none"> ► Augmenter la puissance d'un cran.
	Couronne de forage diamantée polie.	<ul style="list-style-type: none"> ► Affûter la couronne de forage diamantée sur un banc d'affûtage.
	Quantité d'eau trop élevée.	<ul style="list-style-type: none"> ► Réduire la quantité d'eau avec le dispositif de régulation du débit d'eau (assurer une quantité d'eau min. nécessaire de 0,5 l/min).
La couronne diamantée ne tourne pas.	Quantité d'eau insuffisante.	<ul style="list-style-type: none"> ► Contrôler l'arrivée d'eau vers la couronne de forage diamantée resp. augmenter la quantité d'eau au moyen du dispositif de régulation du débit d'eau.
	Dispositif de blocage du boîtier de guidage fermé.	<ul style="list-style-type: none"> ► Ouvrir le dispositif de blocage du boîtier de guidage.
	La couronne de forage diamantée est coincée dans le matériau support.	<ul style="list-style-type: none"> ► Desserrage de la couronne de forage diamantée à l'aide d'une clé à fourche : Débrancher la fiche de la prise. Saisir la couronne de forage diamantée près de l'emmanchement à l'aide d'une clé à fourche appropriée et desserrer la couronne de forage diamantée en la tournant. <p>Forage à l'aide du boîtier de guidage</p> <ul style="list-style-type: none"> ► Tourner le volant à main et essayer de retirer la couronne de forage diamantée en bougeant le boîtier de guidage vers le haut et vers le bas.







Défaillance	Causes possibles	Solution
Le volant à main se laisse tourner sans opposer de résistance.	Goujon de cisaillement cassé.	► Remplacer le goujon de cisaillement.
Impossible d'insérer la couronne de forage diamantée dans le porte-outil.	Emmanchement / porte-outil en- crassé ou endommagé.	► Nettoyer l'emmanchement resp. le porte-outil, le graisser ou le remplacer.
De l'eau sort de la tête d'injection ou du boîtier d'engrenage.	Pression d'eau trop élevée.	► Réduire la pression d'eau.
En cours de fonctionnement, de l'eau sort du porte-outil.	Couronne de forage diamantée insuffisamment vissée dans le porte-outil.	► Serrer à fond la couronne de forage diamantée dans le porte-outil. ► Enlever la couronne de forage diamantée. Tourner la couronne de forage diamantée de 90° env. autour de l'axe de la couronne de forage. Remonter la couronne de forage diamantée.
	Emmanchement / porte-outil en- crassé.	► Nettoyer et graisser l'emmanchement resp. le porte-outil.
	Anneau d'étanchéité du porte-outil ou de l'emmanchement défectueux.	► Vérifier l'anneau d'étanchéité et le remplacer au besoin.
Jeu trop important du système de forage.	Couronne de forage diamantée insuffisamment vissée dans le porte-outil.	► Serrer à fond la couronne de forage diamantée dans le porte-outil. ► Enlever la couronne de forage diamantée. Tourner la couronne de forage diamantée de 90° env. autour de l'axe de la couronne de forage. Remonter la couronne de forage diamantée.
	Emmanchement / porte-outil défectueux.	► Contrôler l'emmanchement et le porte-outil, et le remplacer le cas échéant.
	Liaison desserrée entre la carot-teuse au diamant et le boîtier de guidage resp. l'entretoise.	► Vérifier la liaison et, le cas échéant, refixer la carot-teuse au diamant.
	Jeu trop important du boîtier de guidage.	► Régler le jeu entre la crémaillère et le boîtier de guidage. 35
	Vis desserrées sur la colonne de forage.	► Vérifier que les vis sur la colonne de forage sont bien serrées et, si nécessaire, les resserrer.
	Colonne de forage insuffisamment fixée.	► Fixer mieux la colonne de forage.


8.2 La carot-teuse au diamant n'est pas en état de fonctionner

Défaillance	Causes possibles	Solution
 L'indicateur de maintenance n'indique rien.	Disjoncteur PRCD non enclenché.	► Vérifier que le disjoncteur PRCD est en bon état et le mettre en marche.



Défaillance	Causes possibles	Solution
 L'indicateur de maintenance n'indique rien.	Coupure d'alimentation électrique.	<ul style="list-style-type: none"> ▶ Brancher un autre appareil électrique et vérifier s'il fonctionne. ▶ Contrôler les fiches de raccordement, le câble d'alimentation secteur, le câble électrique et le fusible de secteur.
 L'indicateur de température, de surtension / sous-tension est allumé.	Surchauffe du moteur.	<ul style="list-style-type: none"> ▶ Arrêter puis remettre la carotteuse au diamant en marche (appuyer au centre de l'interrupteur d'arrêt). Contrôler l'alimentation en eau. La carotteuse au diamant peut être remise en marche après refroidissement.
 L'indicateur de température, de surtension / sous-tension clignote.	Défaut dans l'alimentation en tension.	<ul style="list-style-type: none"> ▶ Arrêter puis remettre la carotteuse au diamant en marche (appuyer au centre de l'interrupteur d'arrêt). Contrôler l'alimentation en tension (spécialement pour le générateur et lors du fonctionnement du transformateur).
	L'arrêt d'urgence de l'avance automatique du forage DD-AF CA a été actionné.	<ul style="list-style-type: none"> ▶ Désenclencher le bouton-poussoir d'arrêt d'urgence de l'avance automatique du forage DD-AF CA.
 L'indicateur de maintenance clignote.	Carotteuse au diamant défectueuse ou activation de la fonction de sécurité.	<ul style="list-style-type: none"> ▶ Arrêter puis remettre la carotteuse au diamant en marche (appuyer au centre de l'interrupteur d'arrêt).
Le moteur s'arrête.	Couronne de forage bloquée trop longtemps.	<ul style="list-style-type: none"> ▶ Remédier au blocage, couper le moteur et le remettre en marche.

9 Recyclage

Les produits  Hilti sont fabriqués pour une grande partie en matériaux recyclables. Le recyclage présuppose un tri adéquat des matériaux. Hilti reprend les appareils usagés dans de nombreux pays en vue de leur recyclage. Consulter le service clients Hilti ou un conseiller commercial.

Boues de forage et de sciage

En raison de la protection de l'environnement, les boues de forage et de sciage ne doivent pas être versées dans les cours d'eau ou les canalisations sans prétraitement approprié.

- ▶ Veuillez vous renseigner auprès de votre administration locale sur les directives en vigueur en la matière.

Nous recommandons le prétraitement suivant :

- ▶ Collecter les boues de forage et de sciage (par exemple au moyen d'un aspirateur de déchets liquides).
- ▶ Séparer de l'eau la poussière fine présente dans les boues de forage et de sciage, en laissant décanter les boues ou à l'aide d'un agent flocculant.
- ▶ Éliminer la partie solide des boues de forage ou de sciage dans une décharge de gravats.
- ▶ Avant de déverser l'eau résiduelle dans les canalisations, neutraliser l'eau résiduelle (basique, pH > 7) des boues de forage ou de sciage en la diluant avec beaucoup d'eau ou en ajoutant un neutralisant acide.



10 Garantía constructeur

- ▶ En cas de questions sur les conditions de garantie, veuillez vous adresser à votre partenaire **Hilti** local.

Manual de instrucciones original

1 Información sobre el manual de instrucciones

1.1 Acerca de este manual de instrucciones

- **¡Atención!** Asegúrese de haber leído y entendido toda la documentación adjunta, incluidas, entre otras, las instrucciones, advertencias de seguridad, ilustraciones y especificaciones que se proporcionan con este producto. Familiarícese con todas las instrucciones, advertencias de seguridad, ilustraciones, especificaciones, componentes y funciones del producto antes de utilizarlo. De lo contrario, existe peligro de descarga eléctrica, incendio y/o lesiones graves. Conserve todas las advertencias e instrucciones para futuras consultas.
- Los productos **HILTI** han sido diseñados para usuarios profesionales y solo personal autorizado y debidamente formado puede utilizarlos y llevar a cabo su mantenimiento y conservación. Este personal debe estar especialmente instruido en lo referente a los riesgos de uso. La utilización del producto y sus dispositivos auxiliares puede conllevar riesgos para el usuario en caso de manejarse de forma inadecuada por personal no cualificado o utilizarse para usos diferentes a los que están destinados.
- La documentación adjunta corresponde al estado actual de la técnica en el momento de la impresión. Compruebe siempre la última versión en la página del producto de la página web de Hilti. Para ello siga el enlace o escanee el código QR que figura en esta documentación y que se indica con el símbolo
- No entregue nunca el producto a otras personas sin este manual de instrucciones.

1.2 Explicación de símbolos

1.2.1 Avisos

Las advertencias de seguridad advierten de peligros derivados del manejo del producto. Las siguientes palabras de peligro se utilizan combinadas con un símbolo:

	¡PELIGRO! Término utilizado para un peligro inminente que puede ocasionar lesiones graves o incluso la muerte.
	¡ADVERTENCIA! Término utilizado para un posible peligro inminente que puede ocasionar lesiones graves o incluso la muerte.
	PRECAUCIÓN Término utilizado para una posible situación peligrosa que puede ocasionar lesiones leves o daños materiales

1.2.2 Símbolos en la documentación

En esta documentación se utilizan los siguientes símbolos:

	Leer el manual de instrucciones antes del uso
	Indicaciones de uso y demás información de interés

1.2.3 Símbolos en las figuras

En las figuras se utilizan los siguientes símbolos:

	Estos números hacen referencia a la figura correspondiente incluida al principio de este manual
	La numeración describe el orden de los pasos de trabajo en la imagen y puede ser diferente de los pasos descritos en el texto
	Los números de posición se utilizan en la figura Vista general y los números de la leyenda están explicados en el apartado Vista general del producto
	Preste especial atención a este símbolo cuando utilice el producto.



1.3 Símbolos en el producto

1.3.1 Símbolos de productos

En el producto se utilizan las siguientes señales prescriptivas:

	Prohibido transportar con grúa
	Reciclar los materiales usados
	Corriente alterna
	Indicador de funcionamiento
n_0	Número de referencia de revoluciones en vacío
\varnothing	Diámetro
	Indicador de la capacidad de perforación

1.4 Símbolos de productos

Válvula de 3 vías

	Posición para taladrado en húmedo
	Posición para taladrado en seco
	Posición para evacuar el agua de la corona de perforación

Figuras

	En las pausas de trabajo de más de una hora y en caso de temperaturas inferiores a 4 °C, vaciar el circuito de refrigeración tal y como se describe.
	Trabaje exclusivamente con un PRCD en perfecto estado.





Arriba: en perforaciones horizontales con fijación al vacío no se puede utilizar el soporte sin el dispositivo de seguridad adicional.

1.5 Información del producto

Los productos **Hilti** están diseñados para usuarios profesionales y solo deben ser manejados, conservados y reparados por personal autorizado y debidamente formado. Este personal debe estar especialmente instruido en lo referente a los riesgos de uso. La utilización del producto y sus dispositivos auxiliares puede conllevar riesgos para el usuario en caso de manejarse de forma inadecuada por personal no cualificado o utilizarse para usos diferentes a los que están destinados.

La denominación del modelo y el número de serie están indicados en la placa de identificación.

- ▶ Copie el número de serie en la siguiente tabla. Necesitará los datos del producto para realizar consultas a nuestros representantes o al Departamento de Servicio Técnico.

Datos del producto

Perforadora de diamante	DD 350-CA
Generación	01
N.º de serie	

1.6 Declaración de conformidad

Bajo nuestra exclusiva responsabilidad, declaramos que el producto aquí descrito cumple con las directivas y normas vigentes. Encontrará una reproducción del organismo certificador al final de esta documentación. La documentación técnica se encuentra depositada aquí:

Hilti Entwicklungsgesellschaft mbH | Zulassung Geräte | Hiltistraße 6 | 86916 Kaufering, DE

2 Seguridad

2.1 Indicaciones generales de seguridad para herramientas eléctricas

⚠ ADVERTENCIA Lea con atención todas las indicaciones de seguridad, instrucciones, ilustraciones y datos técnicos correspondientes a esta herramienta eléctrica. La negligencia en el cumplimiento de las instrucciones que se describen a continuación podría provocar descargas eléctricas, incendios o lesiones graves.

Conserve todas las instrucciones e indicaciones de seguridad para futuras consultas.

El término «herramienta eléctrica» empleado en las indicaciones de seguridad se refiere a herramientas eléctricas portátiles, ya sea con cable de red o sin cable, en caso de ser accionadas por batería.

Seguridad en el puesto de trabajo

- ▶ **Mantenga su área de trabajo limpia y bien iluminada.** El desorden o una iluminación deficiente de las zonas de trabajo pueden provocar accidentes.
- ▶ **No utilice la herramienta eléctrica en un entorno con peligro de explosión en el que se encuentren líquidos, gases o polvos inflamables.** Las herramientas eléctricas producen chispas que pueden llegar a inflamar los materiales en polvo o vapores.
- ▶ **Mantenga alejados a los niños y otras personas de su puesto de trabajo al emplear la herramienta eléctrica.** Una distracción le puede hacer perder el control sobre la herramienta.

Seguridad eléctrica

- ▶ **El enchufe de la herramienta eléctrica debe corresponder a la toma de corriente utilizada. No se deberá modificar el enchufe en forma alguna. No utilice enchufes adaptadores para las herramientas eléctricas con puesta a tierra.** Los enchufes sin modificar adecuados a las respectivas formas de corriente reducen el riesgo de descarga eléctrica.
- ▶ **Evite el contacto corporal con superficies que tengan puesta a tierra, como pueden ser tubos, calefacciones, cocinas y frigoríficos.** El riesgo a quedar expuesto a una sacudida eléctrica es mayor si su cuerpo tiene contacto con tierra.
- ▶ **No exponga las herramientas eléctricas a la lluvia y evite que penetren líquidos en su interior.** El riesgo de recibir descargas eléctricas aumenta si penetra agua en la herramienta eléctrica.



- ▶ **No utilice el cable de conexión para transportar o colgar la herramienta eléctrica ni tire de él para extraer el enchufe de la toma de corriente. Mantenga el cable de conexión alejado de fuentes de calor, aceite, aristas afiladas o piezas móviles.** Los cables de conexión dañados o enredados pueden provocar descargas eléctricas.
- ▶ **Cuando trabaje al aire libre con una herramienta eléctrica, utilice exclusivamente un alargador adecuado para exteriores.** La utilización de un alargador adecuado para su uso en exteriores evita el riesgo de una descarga eléctrica.
- ▶ **Cuando no pueda evitarse el uso de la herramienta eléctrica en un entorno húmedo, utilice un interruptor de corriente de defecto.** La utilización de un interruptor de corriente de defecto evita el riesgo de una descarga eléctrica.

Seguridad de las personas

- ▶ **Permanezca atento, preste atención durante el trabajo y utilice la herramienta eléctrica con prudencia. No utilice una herramienta eléctrica si está cansado, ni tampoco después de haber consumido alcohol, drogas o medicamentos.** Un momento de descuido al utilizar la herramienta eléctrica podría producir graves lesiones.
- ▶ **Utilice el equipo de seguridad personal adecuado y lleve siempre gafas protectoras.** El riesgo de lesiones se reduce considerablemente si, según el tipo y la aplicación de la herramienta eléctrica empleada, se utiliza un equipo de seguridad personal adecuado como una mascarilla antipolvo, zapatos de seguridad con suela antideslizante, casco de protección o protección para los oídos.
- ▶ **Evite una puesta en servicio fortuita de la herramienta. Asegúrese de que la herramienta eléctrica está apagada antes de alzarla, transportarla, conectarla a la toma de corriente o insertar la batería.** Si transporta la herramienta eléctrica sujetándola por el interruptor de conexión/desconexión o si introduce el enchufe en la toma de corriente con la herramienta conectada, podría producirse un accidente.
- ▶ **Retire las herramientas de ajuste o llaves fijas antes de conectar la herramienta eléctrica.** Una herramienta o llave colocada en una pieza giratoria puede producir lesiones al ponerse en funcionamiento.
- ▶ **Evite adoptar posturas forzadas. Procure que la postura sea estable y manténgase siempre en equilibrio.** De esta forma podrá controlar mejor la herramienta eléctrica en caso de presentarse una situación inesperada.
- ▶ **Utilice ropa adecuada. No utilice vestimenta amplia ni joyas. Mantenga su pelo, vestimenta y guantes alejados de las piezas móviles.** La vestimenta suelta, las joyas y el pelo largo se pueden enganchar con las piezas en movimiento.
- ▶ **Siempre que sea posible montar equipos de aspiración o captación de polvo, asegúrese de que están conectados y de que se utilizan correctamente.** El uso de un sistema de aspiración de polvo reduce los riesgos derivados del polvo.
- ▶ **No se crea a salvo de cualquier riesgo ni pase por alto ninguna de las normas de seguridad relativas a las herramientas eléctricas, aun cuando esté familiarizado con la herramienta eléctrica y tenga larga experiencia en su uso.** Una actuación negligente puede provocar lesiones graves en cuestión de segundos.

Uso y manejo de la herramienta eléctrica

- ▶ **No sobrecargue la herramienta. Utilice la herramienta eléctrica adecuada para el trabajo que se dispone a realizar.** Con la herramienta eléctrica apropiada podrá trabajar mejor y de modo más seguro dentro del margen de potencia indicado.
- ▶ **No utilice herramientas eléctricas con el interruptor defectuoso.** Las herramientas eléctricas que no se puedan conectar o desconectar son peligrosas y deben repararse.
- ▶ **Extraiga el enchufe de la toma de corriente o retire la batería extraíble antes de efectuar cualquier ajuste en la herramienta, cambiar accesorios o en caso de no utilizar la herramienta durante un tiempo prolongado.** Esta medida preventiva evita el riesgo de arranque accidental de la herramienta eléctrica.
- ▶ **Guarde las herramientas eléctricas que no utilice fuera del alcance de los niños. No permita utilizar la herramienta a ninguna persona que no esté familiarizada con ella o que no haya leído este manual de instrucciones.** Las herramientas eléctricas utilizadas por personas inexpertas son peligrosas.
- ▶ **Cuide su herramienta eléctrica y los accesorios adecuadamente. Compruebe si las piezas móviles de la herramienta funcionan correctamente y sin atascarse, y si existen piezas rotas o deterioradas que pudieran afectar al funcionamiento de la herramienta eléctrica. Encargue la reparación de las piezas defectuosas antes de usar la herramienta eléctrica.** Muchos accidentes son consecuencia de un mantenimiento inadecuado de la herramienta eléctrica.
- ▶ **Mantenga los útiles limpios y afilados.** Las herramientas de corte bien cuidadas y con aristas afiladas se atascan menos y se guían con más facilidad.



- ▶ **Utilice la herramienta eléctrica, los accesorios, útiles de inserción, etc., de acuerdo con estas instrucciones. Para ello, tenga en cuenta las condiciones de trabajo y la tarea que se va a realizar.** El uso de herramientas eléctricas para trabajos diferentes de aquellos para los que han sido concebidas puede resultar peligroso.
- ▶ **Mantenga las empuñaduras y las superficies de contacto secas, limpias y sin residuos de aceite o grasa.** Las empuñaduras y superficies de contacto resbaladizas impiden manejar y controlar la herramienta eléctrica con seguridad en situaciones imprevistas.

Servicio Técnico

- ▶ **Solicite que un profesional lleve a cabo la reparación de su herramienta eléctrica y que utilice exclusivamente piezas de repuesto originales.** Solamente así se garantiza la seguridad de la herramienta eléctrica.

2.2 Indicaciones de seguridad para perforadoras de diamante

- ▶ **Al realizar trabajos de perforación que requieran el empleo de agua, evacue el agua conduciéndola fuera del área de trabajo o utilice un dispositivo colector de líquidos.** Este tipo de medidas de precaución contribuyen a mantener seca el área de trabajo y reducir el riesgo de descargas eléctricas.
- ▶ **Sujete la herramienta eléctrica por las empuñaduras aisladas cuando realice trabajos en los que la herramienta de corte pueda entrar en contacto con cables eléctricos ocultos o con el propio cable de conexión de la herramienta.** El contacto de la herramienta de corte con cables conductores puede traspasar la conductividad a las partes metálicas de la herramienta eléctrica y provocar descargas eléctricas.
- ▶ **Utilice protección para los oídos al perforar con diamante.** El ruido constante puede reducir la capacidad auditiva.
- ▶ **En caso de que el útil de inserción se bloquee, interrumpa el avance y desconecte la herramienta.** Examine el motivo del atasco y elimine la causa de que se bloqueen los útiles de inserción.
- ▶ **Si quiere volver a arrancar una perforadora de diamante que esté insertada en la pieza de trabajo, antes de conectarla compruebe si el útil de inserción gira libremente.** Si el útil de inserción está atascado, es posible que no gire, lo que puede provocar una sobrecarga de la herramienta o que la perforadora de diamante se desprenda de la pieza de trabajo.
- ▶ **Si la fijación del soporte a la pieza de trabajo se efectúa mediante taco y tornillos, asegúrese de que el anclaje utilizado tiene capacidad para retener la máquina con seguridad durante su uso.** Si la pieza de trabajo no presenta resistencia o es porosa, puede tener como consecuencia que el taco se salga y el soporte se suelte de la pieza de trabajo.
- ▶ **Al perforar a través de paredes o techos, asegúrese de que al otro lado están protegidas tanto las personas como el área de trabajo.** La corona de perforación podría atravesar y sobresalir del taladro y el testigo caer al otro lado.
- ▶ **No utilice esta herramienta para trabajos de perforación por encima de la cabeza con admisión de agua.** El riesgo de recibir descargas eléctricas aumenta si penetra agua en la herramienta eléctrica.

2.3 Indicaciones de seguridad adicionales

Seguridad de las personas

- ▶ **No está permitido efectuar manipulaciones o modificaciones en la herramienta.**
- ▶ **La herramienta no es adecuada para personas con poca fuerza a las que no se haya instruido.**
- ▶ Mantenga la herramienta fuera del alcance de los niños.
- ▶ **Evite tocar las piezas en movimiento. No conecte la herramienta fuera de la zona de trabajo.** Si se tocan piezas en movimiento, en especial herramientas rotativas, pueden ocasionarse lesiones.
- ▶ **Evite que la piel entre en contacto con el lodo de perforación.**
- ▶ El polvo procedente de materiales como pinturas con plomo, determinadas maderas, hormigón/mampostería/rocas con cuarzo, así como minerales y metal puede ser nocivo para la salud. El contacto con el polvo o su inhalación puede provocar reacciones alérgicas o asfixia al usuario o a personas que se encuentren en su entorno. Existen determinados tipos de polvo, como puede ser el de roble o el de haya, catalogados como cancerígenos, especialmente si se encuentra mezclado con aditivos usados en el tratamiento de la madera (cromato, agente protector para la madera). Únicamente expertos cualificados están autorizados a manipular materiales que contengan asbesto. Utilice siempre que sea posible un sistema efectivo de aspiración de polvo. Para ello, utilice un aspirador de polvo apto para madera y polvo mineral recomendado por **Hilti** y compatible con esta herramienta eléctrica. Procure una buena ventilación del lugar de trabajo. Se recomienda utilizar una mascarilla adecuada para cada clase de polvo. Respete la normativa vigente en su país relativa a los materiales que se van a procesar.



- ▶ La perforadora de diamante y la corona perforadora de diamante son pesadas. Pueden aplastarse partes del cuerpo. **El usuario y las personas que se encuentren en las inmediaciones de la zona de uso deben llevar equipo de protección adecuado: gafas protectoras, casco de protección, protección para los oídos, guantes de protección y calzado de seguridad.**

Manipulación y utilización segura de las herramientas eléctricas

- ▶ **Asegúrese de que la herramienta está debidamente sujeta en el soporte.**
- ▶ **Asegúrese de que haya siempre un tope final montado en el soporte. De lo contrario, no se dispone de la función de tope final, importante para la seguridad.**
- ▶ **Compruebe si los útiles disponen del sistema de inserción adecuado para la herramienta y si están enclavados en el portaútiles conforme a las prescripciones.**

Seguridad eléctrica

- ▶ **Es preciso evitar los alargadores con cajas de enchufes múltiples y el funcionamiento simultáneo de varias herramientas.**
- ▶ **La herramienta debe conectarse únicamente a redes que dispongan de conductor de puesta a tierra y dimensionado suficiente.**
- ▶ **Compruebe antes de empezar a trabajar si la zona de trabajo oculta cables eléctricos, tuberías de gas o cañerías de agua, por ejemplo, con un detector de metales.** Las partes metálicas exteriores de la herramienta pueden pasar a conducir electricidad si, por ejemplo, se ha dañado por error un cable eléctrico. Dichas partes suponen un peligro serio por el riesgo de una descarga eléctrica.
- ▶ **Cerciórese de que el cable de red no resulte dañado con el avance del carro.**
- ▶ **No utilice jamás la herramienta sin el PRCD suministrado (para herramientas sin PRCD, nunca sin transformador de separación). Compruebe el PRCD antes de su uso.**
- ▶ **Compruebe con regularidad el cable de conexión de la herramienta y, en caso de que presentara daños, encargue su sustitución a un profesional experto en la materia. Si el cable de conexión de la herramienta eléctrica está dañado, debe reemplazarse por un cable especial homologado que encontrará en nuestro Servicio Posventa. Inspeccione regularmente los alargadores y sustitúyalos en caso de que estuvieran dañados. Si se daña el cable de red o el alargador durante el trabajo, evite tocar el cable. Extraiga el enchufe de red de la toma de corriente.** Los cables de conexión y los alargadores dañados suponen un peligro, pues pueden ocasionar una descarga eléctrica.
- ▶ **No utilice nunca una herramienta sucia o mojada.** El polvo adherido en la superficie de la herramienta, sobre todo el de los materiales conductores, o la humedad pueden provocar descargas eléctricas bajo condiciones desfavorables. Por lo tanto, lleve con regularidad a revisar al Servicio Técnico de Hilti la herramienta sucia, sobre todo si se ha usado con frecuencia para trabajar con materiales conductores.

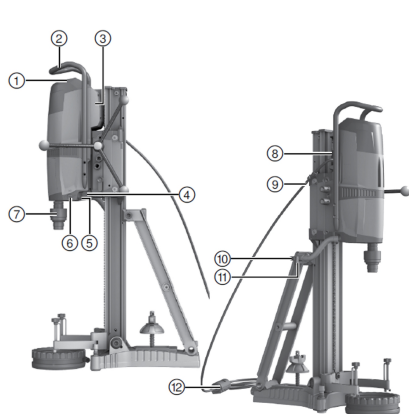
Lugar de trabajo

- ▶ **Encargue la autorización de los trabajos de perforación a la dirección de la obra.** Las perforaciones en edificios y otras estructuras pueden influir en la estática, especialmente al seccionar hierros de armadura o elementos portadores.
- ▶ **Si el soporte no está adecuadamente fijado, baje completamente la herramienta montada en el soporte para evitar que vuelque.**
- ▶ **Mantenga alejados el cable de red, el alargador, el tubo flexible de aspiración y de vacío de las partes rotatorias.**
- ▶ **Para realizar taladros en húmedo hacia arriba se requiere el sistema colector de agua en combinación con un aspirador en húmedo.**
- ▶ **La fijación al vacío está prohibida cuando se perfora hacia arriba si no va acompañada de una fijación adicional.**
- ▶ **En perforaciones horizontales con fijación al vacío (accesorios) no se puede utilizar el soporte sin el dispositivo de seguridad adicional.**



3 Descripción

3.1 Vista general del producto 1



- ① Panel de mando y pantalla
- ② Asa
- ③ Placa de potencia
- ④ Empuñadura
- ⑤ Tapón de desagüe
- ⑥ Válvula de tres vías
- ⑦ Portaútiles
- ⑧ Casquillo de unión
- ⑨ Guía de cables
- ⑩ Toma del agua
- ⑪ Regulación de agua
- ⑫ Cable de red con PRCD

3.2 Panel de mando y pantalla 2

- ① Interruptor del cambio
- ② Indicador de la capacidad de perforación
- ③ Control de temperatura/corriente de defecto
- ④ Interruptor de conexión
- ⑤ Interruptor de desconexión
- ⑥ Tecla de armadura (Iron Boost)
- ⑦ Indicador de funcionamiento

3.3 Placa de vacío (accesorios) 3

- ① Válvula de aireación al vacío
- ② Conexión de vacío
- ③ Junta de vacío
- ④ Manómetro
- ⑤ Alojamiento del dispositivo de avance
- ⑥ Tornillos de nivelación (4 unidades)

3.4 Vista general de accesorios 4

Soporte DD-HD 30 (accesorio)

- ① Interruptor final con cubierta de rail
- ② Tornillos de nivelación (2 unidades)
- ③ Carro
- ④ Asas de transporte (2 unidades)
- ⑤ Travesaño
- ⑥ Tornillos de nivelación (3 unidades)
- ⑦ Alojamiento del dispositivo de avance
- ⑧ Placa base
- ⑨ Rail
- ⑩ Inmovilizador del carro
- ⑪ Excéntrica (bloqueo de las herramientas)
- ⑫ Rueda manual
- ⑬ Posición del taco
- ⑭ Desmultiplicación (1:3)
- ⑮ Accionamiento directo (1:1)
- ⑯ Placa de potencia
- ⑰ Indicador del centro de perforación

Juego de fijación para soporte (accesorio)

- ⑱ Tuerca de apriete
- ⑲ Husillo de sujeción

Sistema colector de agua (accesorios)

- ⑳ Junta
- ㉑ Recipiente colector de agua
- ㉒ Soporte colector de agua



3.5 Uso conforme a las prescripciones

El producto descrito es una perforadora de diamante con accionamiento eléctrico diseñada para la perforación en húmedo de taladros y agujeros ciegos en superficies minerales (armadas) mediante coronas perforadoras de diamante.

Al utilizar la perforadora de diamante, es necesario emplear el soporte y anclarla a la superficie de trabajo con tacos o una placa de vacío.

- ▶ Solo debe funcionar con la frecuencia y tensión de alimentación especificadas en la placa de potencia.
- ▶ El producto descrito no es apropiado para funcionar accionado a mano.

3.6 Uso en diversos equipamientos

Si el rail de taladrado se alarga 2 m o más, será necesario utilizar un apoyo adicional.

Equipamiento	Diámetro de la corona de perforación \varnothing	Dirección de perforación	Longitud de trabajo estándar
Sistema colector de agua	52 mm...250 mm (2,0 in...9,8 in)	Todas las direcciones	500 mm (19,7 in)
Sistema sin agua	52 mm...500 mm (2,0 in...19,7 in)	Todas las direcciones	500 mm (19,7 in)

3.7 Indicadores

Estado	Significado
El indicador de funcionamiento está encendido	Encargue la reparación del producto al Servicio Técnico de Hilti .
El indicador de funcionamiento parpadea temporalmente	Error en el producto.
El indicador de funcionamiento parpadea de forma continua	Encargue la reparación del producto al Servicio Técnico de Hilti .
Se iluminan los indicadores para la refrigeración y errores de tensión	Verificar la entrada de agua.
Parpadean los indicadores para la refrigeración y errores de tensión	Verificar la alimentación de tensión.
El indicador de la capacidad de perforación se ilumina en color verde	Presión de apriete óptima (una vez iniciada la perforación).
El indicador de la capacidad de perforación se ilumina en color naranja	Presión de apriete reducida, p.ej. al inicio de la perforación.
El indicador de la capacidad de perforación se ilumina en color rojo	Presión de apriete excesiva.

3.8 Suministro

Perforadora de diamante, manual de instrucciones.

Encontrará otros productos del sistema autorizados para su producto en **Hilti Store** o en internet, en: www.hilti.group | EE. UU.: www.hilti.com.

4 Datos técnicos

4.1 Perforadora de diamante

La tensión nominal, la intensidad nominal, la frecuencia y/o la potencia nominal figuran en la placa de identificación específica del país.

Si se utiliza con un generador o transformador, la potencia útil debe ser al menos el doble de la potencia nominal indicada en la placa de identificación de la herramienta. La tensión de servicio del transformador o del generador debe encontrarse en todo momento entre un +5 % y un -15 % de la tensión nominal de la herramienta.



	DD 350
Portátiles	BL
Máxima presión de agua permitida	6 bar
Caudal mínimo (a máx. +30 °C)	0,5 ℓ/min
Peso del motor	14,4 kg (31,7 lb)
Peso con soporte	34,9 kg (76,9 lb)
Potencia nominal	3.600 W
Máx. Profundidad de perforación sin prolongación	500 mm (19,7 in)
Clase de protección	I
Interruptor de corriente de defecto	PRCD
Protección contra la suciedad y el agua	IP 55

4.2 Selección de engranaje para diámetro de corona perforadora

	Diámetro de la corona de perforación \varnothing	Diámetro de la corona de perforación \varnothing	Velocidad de giro en vacío (240 V)	Velocidad de giro en vacío (110 V)
1	52 mm ... 62 mm	2 in ... 2 3/8 in	667 rpm	667 rpm
2	72 mm ... 92 mm	2 3/4 in ... 3 1/2 in	667 rpm	667 rpm
3	102 mm ... 112 mm	4 in ... 4 1/2 in	667 rpm	619 rpm
4	122 mm	4 3/4 in	619 rpm	571 rpm
5	127 mm ... 142 mm	5 in ... 5 1/2 in	571 rpm	524 rpm
6	152 mm ... 162 mm	6 in ... 6 3/4 in	524 rpm	464 rpm
7	172 mm ... 182 mm	6 3/4 in ... 7 in	405 rpm	369 rpm
8	202 mm	8 in	357 rpm	321 rpm
9	225 mm ... 250 mm	9 in ... 10 in	310 rpm	286 rpm
10	300 mm ... 500 mm	12 in ... 20 in	286 rpm	238 rpm

5 Manejo

5.1 Preparación del trabajo

ADVERTENCIA

Riesgo de lesiones debido a una fijación inadecuada. Si se utiliza un soporte, este puede girar o inclinarse si la fijación es insuficiente.

- ▶ Antes de usar la perforadora de diamante, fije el soporte sobre la superficie de trabajo por medio de tacos o con una placa base al vacío.
- ▶ Utilice exclusivamente tacos que sean apropiados para la superficie de trabajo en cuestión y tenga en cuenta las instrucciones de montaje del fabricante de los tacos.
- ▶ Utilice una placa base al vacío únicamente si la superficie de trabajo en cuestión resulta apropiada para sujetar el soporte mediante un dispositivo de fijación por vacío.

5.1.1 Montaje del soporte

1. Arriba, suelte el tornillo del travesaño y abajo, el de la articulación giratoria del rail.
2. Coloque el rail en posición vertical.
3. Arriba, apriete los tornillos del travesaño y abajo, los de la articulación giratoria del rail.
4. Retire la cubierta con el tope final integrado del extremo superior del rail.



5.1.2 Montaje de la rueda manual



Puede montar la rueda manual en la parte izquierda o derecha del carro, en dos ejes distintos. Si monta la rueda manual en el eje superior, este actuará directamente sobre el accionamiento del carro. Si monta la rueda manual en el eje inferior, este actuará con una determinada desmultiplicación sobre el accionamiento del carro.

1. Monte la rueda manual en el lado pertinente del eje deseado.
2. Asegure la rueda manual con el tornillo.

5.1.3 Fijación del soporte con taco



ADVERTENCIA

Riesgo de lesiones por el uso de un taco inadecuado. La herramienta puede soltarse y provocar daños.

- ▶ Utilice únicamente tacos adecuados para la superficie sobre la que se va a trabajar y tenga en cuenta las indicaciones de montaje del fabricante de los tacos.

1. Coloque el taco para la placa base a unos 330 mm (13 pulgadas) del centro del taladro.



La distancia se amplía si trabaja con un distanciador.

2. Atornille el husillo de sujeción en el taco.
3. Coloque el soporte sobre el husillo y ajústelo.
4. Atornille la tuerca de apriete, sin apretarla, en el husillo.
5. Nivele la placa base con los tornillos de nivelación.
6. Apriete la tuerca de apriete en el husillo de sujeción con una llave de boca adecuada.
7. Asegúrese de que el soporte está fijado de manera segura.

5.1.4 Fije el soporte mediante vacío



PELIGRO

Riesgo de lesiones por la caída de la perforadora de diamante !

- ▶ No está permitido fijar el soporte al techo utilizando solo la fijación al vacío. Se puede garantizar una fijación adicional utilizando un puntal pesado o un husillo roscado, por ejemplo.



ADVERTENCIA

Existe riesgo de lesiones si falta el control de la presión !

- ▶ Antes y durante la perforación debe asegurarse de que el indicador en el manómetro permanece en la zona verde.



Si utiliza el soporte con la placa base de clavija, establezca una conexión fija y plana entre la placa base al vacío y la placa base de clavija. Atornille firmemente la placa base de clavija a la placa base al vacío. Asegúrese de que la corona de perforación seleccionada no dañe la placa base al vacío.

En perforaciones horizontales, asegure también la perforadora de diamante (p. ej. con una cadena enganchada a un taco).

Lea detenidamente el manual de instrucciones de la bomba al vacío.



Antes de posicionar el soporte, compruebe que hay suficiente espacio disponible para el montaje y el manejo.

1. Desenrosque todos los tornillos de nivelación de manera que sobresalgan aprox. 5 mm por debajo de la placa base al vacío.
2. Conecte el acoplamiento de vacío de la placa base al vacío con la bomba al vacío.
3. Coloque el soporte sobre la placa base al vacío.
4. Monte el soporte en la placa base al vacío utilizando el tornillo con arandela suministrado y apriete el tornillo.
5. Determine el centro del taladro.



6. Trace una línea de aprox. 800 mm de longitud en la dirección en que deba situarse el sistema de perforación con recuperación de testigo.
7. En esa línea de 800 mm de longitud, realice una marca a una distancia de 165 mm (6 1/2") desde el centro del taladro.
8. Conecte la bomba de vacío y presione la válvula de aireación al vacío manteniéndola presionada.
9. Posicione el soporte sobre la superficie de trabajo.
10. Suelte la válvula de alivio de presión vacío.
11. Nivele la placa base al vacío con los tornillos de nivelación.
 - ▶ El indicador en el manómetro permanece en la zona verde.



Nivele la placa base de clavija de modo que no entre en contacto con la placa de vacío.

12. Asegure el soporte si tiene previsto realizar perforaciones horizontales.
13. Asegúrese de que el soporte está fijado de manera segura.

5.1.5 Ajuste el ángulo de perforación en el soporte con placa base combinada

PRECAUCIÓN

Peligro de aplastamiento de los dedos en la zona de articulación. Aflojar el mecanismo de sujeción puede hacer que el soporte vuelque repentinamente.

- ▶ Utilice guantes de protección.
- ▶ Asegure el soporte para que no vuelque antes de soltar el mecanismo de sujeción.

1. Arriba, suelte los tornillos del travesaño y abajo, los de la articulación giratoria del raíl.
2. Coloque el raíl en la posición deseada.
3. Arriba, apriete los tornillos del travesaño y abajo, los de la articulación giratoria del raíl.

5.1.6 Prolongación del raíl



Para iniciar la perforación solo puede utilizar coronas de perforación o coronas de perforación prolongadas con una longitud total máxima de 650 mm (25 1/2 in).

Como tope final adicional se puede utilizar un tope de profundidad en el raíl.

Después de desmontar el raíl de prolongación debe volver a montarse la cubierta (con tope final integrado) en el soporte. De no hacerlo así, no se dispondrá de la función de tope final, importante para la seguridad.

1. Retire la cubierta (con el tope final integrado) del extremo superior del raíl.
2. Monte la cubierta en el raíl de prolongación.
3. Introduzca el cilindro del raíl de prolongación en el raíl del soporte.
4. Fije el raíl de prolongación girando la excéntrica.

5.1.7 Montaje del distanciador

ADVERTENCIA

Riesgo de lesiones. La fijación podría sobrecargarse.

- ▶ Si se utilizan uno o varios distanciadores es preciso reducir la fuerza de apriete a fin de no sobrecargar la fijación.



A partir de un diámetro de corona perforadora >300 mm (>11 1/2 in), la distancia entre el eje de perforación y el soporte debe aumentarse con uno o dos distanciadores. En relación con los distanciadores, no se da la función del indicador del centro de la perforación.

La perforadora de diamante no está montada cuando se monta el distanciador.

1. Bloquee el carro en el raíl mediante el inmovilizador del carro.
2. Extraiga la excéntrica para el bloqueo de la perforadora de diamante en el carro.
3. Coloque el distanciador en el carro.
4. Desplace la excéntrica hasta el tope en el carro.
5. Apriete la excéntrica.
6. Asegúrese de que el distanciador esté bien fijado.



5.1.8 fijación de la perforadora de diamante en el soporte **11**

PRECAUCIÓN

Riesgo de lesiones Peligro por arranque accidental de la perforadora de diamante.

- ▶ La perforadora de diamante no debe estar conectada a la red eléctrica durante los trabajos de reequipamiento.

1. Bloquee el carro en el rail mediante el inmovilizador del carro.
2. Extraiga la excéntrica para el bloqueo de la perforadora de diamante en el carro.
3. Coloque la perforadora de diamante en el carro o en el distanciador.
4. Coloque la excéntrica en el carro o el distanciador y empújela hasta el tope.
5. Apriete la excéntrica.
6. Fije el cable de red en la guía de cables de la cubierta del carro.
7. Asegúrese de que la perforadora de diamante esté bien fijada en el soporte.

5.1.9 Instalación de la toma de agua

ATENCIÓN

Peligro por un uso indebido. La manguera puede quedar inservible si se utiliza indebidamente.

- ▶ Compruebe periódicamente la presencia de daños en la manguera y asegúrese de que no se supere la presión máxima admisible de los conductos de agua (véase Datos técnicos).
- ▶ Cerciórese de que el tubo flexible no entre en contacto con piezas móviles.
- ▶ Cerciórese de que el tubo flexible no resulte dañado con el avance del carro.
- ▶ Respete la especificación de la temperatura máxima del agua que se indica en el capítulo Datos técnicos.
- ▶ Compruebe que el sistema de agua acoplado sea estanco.



Utilice únicamente agua corriente o agua sin partículas de suciedad para evitar daños en los componentes.

Es posible montar un indicador de paso (disponible como accesorio) entre la herramienta y el conducto de alimentación de agua.

1. Cierre la regulación de agua en la perforadora de diamante.
2. Conecte el suministro de agua (conexión de la manguera).

5.1.10 Montaje del sistema colector de agua (accesorio) **12**

ADVERTENCIA

Peligro de descarga eléctrica. Si la aspiración no funciona correctamente, puede haber agua sobre el motor y la cubierta.

- ▶ Interrumpa inmediatamente el trabajo si la aspiración no funciona.



La perforadora de diamante debe estar en un ángulo de 90° con respecto al techo. El disco de estanqueidad del sistema colector de agua debe ajustarse al diámetro de la corona perforadora de diamante.



La utilización del sistema colector de agua permite efectuar una evacuación selectiva del agua y evitar así la suciedad extrema del entorno. Utilice un aspirador en húmedo para conseguir resultados óptimos.



Si se utiliza el soporte : antes de montar el soporte colector de agua, atornille el distanciador para el soporte colector de agua.

1. Afloje el tornillo del soporte en el lado frontal inferior del rail.
2. Desplace desde abajo el soporte colector de agua detrás del tornillo.
3. Apriete el tornillo.
4. Coloque el recipiente colector de agua, con la junta y el disco de estanqueidad del colector de agua montados, entre los dos brazos móviles del soporte.



5. Fije el recipiente colector de agua al soporte con los dos tornillos.
6. Conecte un aspirador en húmedo en el recipiente colector de agua o establezca una conexión de manguera que permita la salida del agua.

5.1.11 Inserción de la corona perforadora de diamante

PELIGRO

Riesgo de lesiones Los fragmentos que pueden desprenderse de la pieza de trabajo o las herramientas rotas pueden salir despedidos y provocar lesiones incluso fuera de la zona de trabajo.

- ▶ No utilice herramientas dañadas. Antes de utilizar la herramienta, compruebe si hay indicios de desprendimiento, agrietamiento, desgaste o de deterioro grave.

PRECAUCIÓN

Riesgo de lesiones al realizar un cambio de útil. El útil se calienta debido al uso. Puede presentar bordes afilados.

- ▶ Utilice siempre guantes de protección para cambiar el útil.



Las coronas perforadoras de diamante deben sustituirse cuando su capacidad de corte o de avance de perforación disminuya notablemente. En general esto sucede cuando la altura del segmento de diamante es inferior a 2 mm (1/16 in).

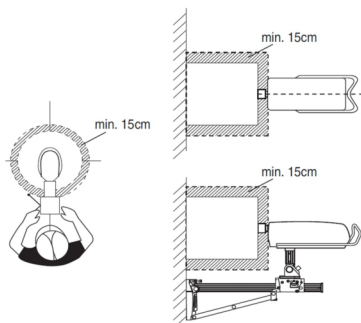
1. Bloquee el carro en el raíl mediante el inmovilizador del carro. Asegúrese de que esté bien fijado.
2. Abra el portaútiles girando en la dirección del símbolo de «**abrazaderas abiertas**».
3. Introduzca el sistema de inserción de la corona perforadora de diamante desde abajo en el dentado del portaútiles de la perforadora de diamante.
4. Cierre el portaútiles girando en la dirección del símbolo de «**abrazaderas cerradas**».
5. Compruebe que la corona perforadora de diamante esté firmemente asentada en el portaútiles.

5.1.12 Ajuste del tope de profundidad (accesorio)

1. Gire la rueda manual hasta que la corona de perforación esté en contacto con la superficie de trabajo.
2. Ajuste la profundidad de perforación deseada con la distancia entre el carro y el tope de profundidad.
3. Fije el tope de profundidad.

5.2 Procedimiento de trabajo

5.2.1 Mantener despejada la zona de peligro



El área sombreada marca la zona de peligro de la perforadora de diamante.

- Durante el funcionamiento, mantenga una distancia mínima de 15 cm de la corona de perforación.
- Durante la perforación, colóquese detrás del soporte.



5.2.2 Selección de la velocidad



Accione el interruptor solo con la herramienta parada.

1. Seleccione la posición del interruptor en función del diámetro de la corona de perforación empleada.
2. Gire el interruptor girando simultáneamente a mano la corona de perforación hasta alcanzar la posición recomendada.

5.2.3 Interruptor de corriente de defecto PRCD

1. Conecte el enchufe de red de la perforadora de diamante en una toma de corriente con conexión de puesta a tierra.
2. Presione el botón **ON** del interruptor de corriente de defecto PRCD.
 - ▶ El indicador se enciende.
3. Presione el botón **TEST** del interruptor de corriente de defecto PRCD.
 - ▶ El indicador se apaga.



ADVERTENCIA

Riesgo de lesiones por una descarga eléctrica. Si el indicador del interruptor de corriente de defecto no se suelta al pulsar el botón **0** o **TEST**, no se puede seguir utilizando la perforadora de diamante.

- ▶ Encargue la reparación de la perforadora de diamante al Servicio Técnico de **Hilti**.
-

4. Presione el botón **ON** del interruptor de corriente de defecto PRCD.
 - ▶ El indicador se enciende.

5.2.4 Inicio de la perforación con función de inicio de perforación

1. Guíe la corona de perforación de tal manera que esté situada lo más cerca posible de la superficie de trabajo, sin tocarla.
2. Presione el interruptor de la perforadora de diamante.
3. Presione de nuevo el interruptor de la perforadora de diamante.
 - ▶ La corona de perforación gira lentamente (21 rpm)
4. Presione la corona de perforación hacia la superficie de trabajo.
5. Transcurridos aprox. 5 segundos, pulse de nuevo el interruptor.
 - ▶ La corona de perforación gira a velocidad normal.
6. Continúe con el proceso de perforación.

5.2.5 Uso de la perforadora de diamante



ADVERTENCIA

Peligro para las personas y el material La perforadora de diamante puede resultar dañada y aumenta el riesgo de recibir una descarga eléctrica.

- ▶ Para realizar taladros en húmedo hacia arriba se requiere el sistema colector de agua en combinación con un aspirador en húmedo.
-



PELIGRO

Peligro para las personas y el material El aspirador en húmedo se conecta o desconecta con retardo. Esto puede tener como consecuencia que caiga agua sobre la perforadora de diamante. La perforadora de diamante puede resultar dañada y aumenta el riesgo de recibir una descarga eléctrica.

- ▶ Al perforar hacia arriba, el aspirador en húmedo debe arrancarse manualmente antes de abrir el suministro de agua y desconectarse manualmente tras cerrar el suministro de agua.
-



PELIGRO

Peligro para las personas y el material La perforadora de diamante puede resultar dañada y aumenta el riesgo de recibir una descarga eléctrica.

- ▶ Si está perforando hacia arriba y la aspiración deja de funcionar (porque el aspirador en húmedo está lleno, por ejemplo), interrumpa de inmediato el trabajo.
-



⚠ ADVERTENCIA

Peligro para las personas y el material El colector de agua deja de funcionar cuando se perfora en diagonal hacia arriba. La perforadora de diamante puede resultar dañada y aumenta el riesgo de recibir una descarga eléctrica.

- ▶ No perforo en diagonal hacia arriba.

1. Abra lentamente la regulación de agua hasta que fluya el volumen de agua deseado.
2. Presione el interruptor de la perforadora de diamante.
3. Suelte el inmovilizador del carro.
4. Gire la rueda manual hasta que la corona de perforación esté en contacto con la superficie de trabajo.
5. Presione solo ligeramente al empezar a perforar hasta que la corona de perforación se haya centrado. Solo después puede aumentar la presión ejercida.
6. Regule la fuerza de apriete de acuerdo con el indicador de la capacidad de perforación.

5.2.6 Uso en seco de la perforadora de diamante 

⚠ PELIGRO

Peligro para las personas y el material La perforadora de diamante puede resultar dañada y aumenta el riesgo de recibir una descarga eléctrica.

- ▶ Si está perforando hacia arriba y la aspiración deja de funcionar (porque el aspirador en húmedo está lleno, por ejemplo), interrumpa de inmediato el trabajo.

⚠ ADVERTENCIA

Peligro para las personas y el material El colector de agua deja de funcionar cuando se perfora en diagonal hacia arriba. La perforadora de diamante puede resultar dañada y aumenta el riesgo de recibir una descarga eléctrica.

- ▶ No perforo en diagonal hacia arriba.



Utilice una mascarilla de protección

1. Conecte un dispositivo de aspiración y aire comprimido.
2. Ajuste la válvula de 3 vías de la herramienta perforadora en la posición de **perforación en seco**.
3. Presione el interruptor de la perforadora de diamante.
4. Suelte el inmovilizador del carro.
5. Gire la rueda manual hasta que la corona de perforación esté en contacto con la superficie de trabajo.
6. Presione solo ligeramente al empezar a perforar hasta que la corona de perforación se haya centrado. Solo después puede aumentar la presión ejercida.
7. Regule la fuerza de apriete de acuerdo con el indicador de la capacidad de perforación.

5.2.7 Desconexión de la perforadora de diamante

⚠ ADVERTENCIA

Peligro para las personas y el material Al taladrar hacia arriba la corona perforadora de diamante se llena de agua. La perforadora de diamante puede resultar dañada y aumenta el riesgo de recibir una descarga eléctrica.

- ▶ Una vez terminado el proceso de taladrado hacia arriba deberá evacuar inmediatamente el agua con mucho cuidado. Para ello debe separarse el suministro de agua en la regulación de agua y evacuar el agua mediante la apertura de la regulación de agua. El agua no debe evacuarse por encima del motor ni de la cubierta.



1. Si se cumple la siguiente condición, siga este paso adicional:

Condiciones: Taladrar hacia arriba

- ▶ Ajuste la válvula de 3 vías en posición central para evacuar el agua que quede en la corona de perforación.
2. Extraiga la corona perforadora de diamante del taladro.
 3. Desconecte la perforadora de diamante.
 4. Bloquee el carro en el rail mediante el inmovilizador del carro.
 5. Desconecte el aspirador en húmedo, si lo hubiera.

5.2.8 Pasos a seguir en caso de atasco en la corona de perforación

En caso de atasco, se activa en primer lugar el acoplamiento de deslizamiento. A continuación, se desconecta el motor.

Se puede extraer la corona de perforación siguiendo los pasos detallados a continuación:

5.2.8.1 Aflojar la corona de perforación

1. Extraiga el enchufe de red de la toma de corriente.
2. Si se cumple la siguiente condición, siga este paso adicional:

Condiciones: Aflojar con una llave de boca

- ▶ Con la llave de boca, afloje la corona de perforación por la zona próxima al extremo de inserción.
 - ▶ Afloje la corona de perforación con un movimiento giratorio.
3. Si se cumple la siguiente condición, siga este paso adicional:

Condiciones: Aflojar con la rueda manual

- ▶ Retire la corona perforadora de la superficie de trabajo con la rueda manual.
 - ▶ Compruebe que esté bloqueado con un leve giro de la rueda manual.
 - ▶ Conecte el enchufe de la perforadora de diamante en la toma de corriente.
4. Conecte el enchufe de la perforadora de diamante en la toma de corriente.
 5. Continúe con el proceso de perforación.

5.2.9 Desmontaje de la corona perforadora de diamante 16

1. Extraiga el enchufe de red de la toma de corriente.
2. Bloquee el carro en el rail.
3. Compruebe que esté bloqueado con un leve giro de la rueda manual.
4. Abra el portátiles girando en la dirección del símbolo de «**abrazaderas abiertas**».
5. Extraiga la corona de perforación.

5.2.10 Desmontaje de la perforadora de diamante 17

1. Bloquee el carro en el rail mediante el inmovilizador del carro. Asegúrese de que esté bien fijado.
2. Con una mano, sujete la perforadora de diamante por el asa de transporte.
3. Extraiga la excéntrica del bloqueo de la perforadora de diamante.
4. Extraiga la excéntrica.
5. Retire la perforadora de diamante del carro.
6. Desplace la excéntrica hasta el tope en el carro.

6 Cuidado y mantenimiento



ADVERTENCIA

Peligro de descarga eléctrica. La realización de tareas de cuidado y mantenimiento con el enchufe conectado a la toma de corriente de puede provocar lesiones y quemaduras graves.

- ▶ Extraiga siempre el enchufe de la toma de corriente antes de realizar cualquier tarea de cuidado y mantenimiento.

Cuidado

- Retire con cuidado la suciedad fuertemente adherida.
- Limpie cuidadosamente las rejillas de ventilación con un cepillo seco.
- Limpie la carcasa utilizando únicamente un paño ligeramente humedecido. No utilice limpiadores que contengan silicona, ya que podría afectar a las piezas de plástico.



Mantenimiento

ADVERTENCIA

Riesgo de descarga eléctrica. Las reparaciones indebidas en componentes eléctricos pueden producir lesiones graves y quemaduras.

- ▶ Las reparaciones de la parte eléctrica sólo puede llevarlas a cabo un técnico electricista cualificado.
- Compruebe con regularidad que las piezas visibles no estén dañadas y que los elementos de manejo funcionen correctamente.
- No utilice la herramienta si presenta daños o fallos que afecten al funcionamiento. Llévela de inmediato al Servicio Técnico de **Hilti** para su reparación.
- Coloque todos los dispositivos de protección después de las tareas de cuidado y mantenimiento, y compruebe su correcto funcionamiento.

6.1 Ajuste del juego entre el raíl y el carro

Con los 4 tornillos de ajuste en el carro puede ajustar el juego entre el raíl y el carro. Los 4 rodillos regulables se instalan como se indica a continuación.

1. Afloje los tornillos de ajuste con una llave de hexágono interior SW5 (sin extraerlos).
2. Utilizando una llave de boca SW19, gire los tornillos de ajuste y presione con ella los rodillos levemente contra el raíl.
3. Apriete los tornillos de ajuste. El carro está debidamente ajustado si permanece en su posición sin estar montada una perforadora de diamante y se desplaza hacia abajo cuando tiene una perforadora de diamante.

7 Transporte y almacenamiento

- No transporte la herramienta eléctrica con el útil insertado.
- Almacene la herramienta eléctrica siempre con el enchufe desconectado.
- Seque la herramienta y guárdela fuera del alcance de niños y personas no autorizadas.
- Compruebe si la herramienta eléctrica presenta daños tras haber estado almacenada durante mucho tiempo o haber sido transportada.

7.1 Almacenamiento y pausas de trabajo con temperaturas por debajo de cero grados

Cuando las temperaturas bajen de 4 °C (39 °F), debe purgar el agua del circuito de agua con aire comprimido antes de realizar pausas superiores a una hora o de almacenar la herramienta.

1. Corte la alimentación de agua.
2. Desconecte el suministro de agua de la perforadora de diamante.
3. Abra la regulación de agua.
4. Ajuste la válvula de 3 vías en la posición de **perforación en húmedo**.
5. Purgue el agua del circuito de agua con aire comprimido (máx. 3 bar).


8 Ayuda en caso de averías

Si se producen averías que no estén incluidas en esta tabla o que no pueda solucionar usted, diríjase al Servicio Técnico de **Hilti**.


8.1 la perforadora de diamante está lista para funcionar

Anomalía	Posible causa	Solución
<p>El indicador de funcionamiento se ilumina.</p>	Intervalo de servicio alcanzado.	<ul style="list-style-type: none"> ▶ Cuando se presente la oportunidad, lleve la perforadora de diamante a Hilti para su revisión.




Anomalia	Posible causa	Solución
 <p>El indicador de funcionamiento parpadea.</p>	Se ha superado el intervalo de revisión.	► Lleve la perforadora de diamante a revisar a Hilti .
La velocidad de perforación disminuye.	Profundidad máxima de perforación alcanzada.	► Retire el testigo y utilice el alargador de la corona de perforación.
	El testigo se atasca en la corona perforadora de diamante.	► Retire el testigo.
	Especificación incorrecta para la superficie de trabajo.	► Seleccione una especificación correcta para la corona perforadora de diamante.
	Proporción de acero elevada (se detecta porque en el agua se aprecian virutas de metal).	► Seleccione una especificación correcta para la corona perforadora de diamante.
	La corona perforadora de diamante está defectuosa.	► Compruebe la presencia de daños en la corona perforadora de diamante y sustitúyala en caso necesario.
	Se ha seleccionado la velocidad incorrecta.	► Seleccione la velocidad correcta.
	Fuerza de apriete demasiado baja.	► Aumente la fuerza de apriete.
	Potencia de la herramienta demasiado baja.	► Seleccione la siguiente marcha más baja.
	Corona perforadora de diamante pulida.	► Afile la corona perforadora de diamante en la placa de afilado.
	Volumen de agua demasiado elevado.	► Reduzca el paso de agua con el regulador (asegúrese de que haya el caudal mín. de agua requerido de 0,5 l/min).
	Volumen de agua insuficiente.	► Compruebe la entrada de agua a la corona perforadora de diamante o aumente el volumen de agua con el mecanismo de regulación de agua.
	Inmovilizador del carro cerrado.	► Suelte el inmovilizador del carro.
La corona perforadora de diamante no gira.	La corona perforadora de diamante se ha atascado en la superficie de trabajo.	► Extracción de la corona perforadora de diamante con la llave de boca: Extraiga el enchufe de red de la toma de corriente. Sujete la corona perforadora de diamante por la zona próxima al extremo de inserción con una llave de boca adecuada y suelte la corona girando la llave.
		Taladrado guiado con soporte <ul style="list-style-type: none"> ► Gire la ruedecilla e intente extraer la corona perforadora de diamante con un movimiento del carro hacia delante y hacia atrás.
La ruedecilla gira sin oponer resistencia.	El pasador de seguridad cizallable está roto.	► Sustituya el pasador de seguridad cizallable.






Anomalía	Posible causa	Solución
No es posible colocar la corona perforadora de diamante en el portaútiles.	Extremo de inserción/portaútiles sucio o dañado.	► Limpie el extremo de inserción o el portaútiles y engráselos o sustitúyalos en caso necesario.
Sale agua del cabezal de lavado o de la carcasa de los engranajes.	Presión del agua demasiado alta.	► Reduzca la presión del agua.
Sale agua del portaútiles durante el funcionamiento.	La corona perforadora de diamante no está correctamente atornillada al portaútiles.	<ul style="list-style-type: none"> ► Fije con más fuerza la corona perforadora de diamante. ► Retire la corona perforadora de diamante. Gire la corona perforadora de diamante aproximadamente 90° sobre el eje de la corona. Vuelva a colocar la corona perforadora de diamante.
	Extremo de inserción/portaútiles sucio.	► Limpie y engrase el extremo de inserción o el portaútiles.
	Junta del portaútiles o de la conexión defectuosa.	► Compruebe la junta y sustitúyala en caso necesario.
El sistema de perforación tiene demasiado juego.	La corona perforadora de diamante no está correctamente atornillada al portaútiles.	<ul style="list-style-type: none"> ► Fije con más fuerza la corona perforadora de diamante. ► Retire la corona perforadora de diamante. Gire la corona perforadora de diamante aproximadamente 90° sobre el eje de la corona. Vuelva a colocar la corona perforadora de diamante.
	Extremo de inserción/portaútiles defectuoso.	► Compruebe el extremo de inserción y el portaútiles y sustitúyalos en caso necesario.
	Las conexiones entre la perforadora de diamante y el carro o el distanciador están sueltas.	► Compruebe las conexiones y vuelva a fijar la perforadora de diamante en caso necesario.
	El carro tiene demasiado juego.	► Ajuste el juego entre el raíl y el carro.  55
	Las uniones atornilladas del soporte están sueltas.	► Compruebe si los tornillos del soporte están bien fijados y apriételes en caso necesario.
	El soporte no está bien fijado.	► Fije mejor el soporte.


8.2 la perforadora de diamante no está lista para funcionar

Anomalía	Posible causa	Solución
 <p>El indicador de funcionamiento no muestra nada.</p>	PRCD sin encender.	► Compruebe si funciona el PRCD y conéctelo.
	Alimentación de tensión interrumpida.	<ul style="list-style-type: none"> ► Conecte otra herramienta eléctrica y compruebe si funciona. ► Compruebe los conectores, el cable de red, el cable eléctrico y el fusible de la red.



Anomalia	Posible causa	Solución
 <p>El indicador de temperatura/tensión excesiva/tensión insuficiente está iluminado.</p>	Motor sobrecalentado.	<ul style="list-style-type: none"> Desconecte la perforadora de diamante (presione el interruptor de desconexión en el centro) y, a continuación, vuélvala a conectar. Compruebe el suministro de agua. Una vez se haya enfriado, la perforadora de diamante vuelve a estar lista para el uso.
 <p>El indicador de temperatura/tensión excesiva/tensión insuficiente parpadea.</p>	Error en la alimentación de tensión.	<ul style="list-style-type: none"> Desconecte la perforadora de diamante (presione el interruptor de desconexión en el centro) y, a continuación, vuélvala a conectar. Compruebe la alimentación de tensión (especialmente si se utiliza un generador o transformador).
	Se ha accionado la parada de emergencia del avance automático de perforación DD-AF CA.	<ul style="list-style-type: none"> Desbloquee el pulsador de parada de emergencia del avance automático de perforación DD-AF CA.
 <p>El indicador de funcionamiento parpadea.</p>	Perforadora de diamante defectuosa o la función de seguridad se ha activado.	<ul style="list-style-type: none"> Desconecte la perforadora de diamante (presione el interruptor de desconexión en el centro) y, a continuación, vuélvala a conectar.
El motor se desconecta.	Corona de perforación demasiado tiempo bloqueada.	<ul style="list-style-type: none"> Retire el bloqueo, apague el motor y vuelva a encenderlo.

9 Reciclaje

 Los productos **Hilti** están fabricados en su mayor parte con materiales reutilizables. La condición para dicha reutilización es una separación adecuada de los materiales. En muchos países, **Hilti** recoge las herramientas usadas para su recuperación. Pregunte al Servicio de Atención al Cliente de **Hilti** o a su asesor de ventas.

Lodo de perforación y de serrado

Verter al agua o a un sistema canalizado el lodo de perforación y serrado sin un tratamiento previo adecuado puede resultar perjudicial para el medio ambiente.

- Consulte a las autoridades locales para informarse sobre la normativa actual vigente.

Recomendamos el siguiente procedimiento previo:

- Recoja el lodo de perforación y serrado (por ejemplo, con el aspirador en húmedo).
- Separe del agua las partículas finas que contiene el lodo de perforación y serrado dejándolo o añadiendo un agente de floculación.
- Tire la parte sólida del lodo de perforación y serrado en una escombrera.
- Neutralice el agua restante (alcalina, valor de pH > 7) procedente del lodo de perforación y serrado antes de devolverla a la canalización; para ello, añada mucha agua o un agente de neutralización ácido.

10 Garantía del fabricante

- Si tiene alguna consulta acerca de las condiciones de la garantía, póngase en contacto con su sucursal local de **Hilti**.



Manual de instruções original

1 Indicações sobre o Manual de instruções

1.1 Relativamente a este Manual de instruções

- **Aviso!** Antes de utilizar o produto, certifique-se de que leu e compreendeu o Manual de instruções fornecido com o produto incluindo as instruções, instruções de segurança e advertências, figuras e especificações. Familiarize-se sobretudo com todas as instruções, instruções de segurança e advertências, figuras, especificações, bem como com componentes e funções. Em caso de incumprimento existe perigo de choque eléctrico, incêndio e/ou ferimentos graves. Guarde o Manual de instruções incluindo todas as instruções, instruções de segurança e advertências para utilização posterior.
- Os produtos destinam-se ao utilizador profissional e só podem ser operados, mantidos e reparados por pessoal autorizado, devidamente qualificado. Estas pessoas deverão estar informadas em particular sobre os potenciais perigos. O produto e seu equipamento auxiliar podem representar perigo se usados incorrectamente por pessoas não qualificadas ou se usados para fins diferentes daqueles para os quais foram concebidos.
- O Manual de instruções fornecido corresponde ao actual avanço tecnológico no momento da impressão. Encontra a versão actual sempre online, na página de produtos Hilti. Para o efeito, siga a hiperligação ou o código QR neste Manual de instruções, identificado com o símbolo .
- Entregue o produto a outras pessoas apenas juntamente com o Manual de instruções.

1.2 Explicação dos símbolos

1.2.1 Advertências

As advertências alertam para perigos durante a utilização do produto. As seguintes indicações de perigo são utilizadas em combinação com um símbolo:

	PERIGO! Indica perigo iminente que pode originar ferimentos corporais graves ou até mesmo fatais.
	AVISO! Indica um possível perigo que pode causar graves ferimentos pessoais, até mesmo fatais.
	CAUIDADO! Indica uma situação potencialmente perigosa que pode originar ferimentos corporais ligeiros ou danos materiais

1.2.2 Símbolos na documentação

Nesta documentação são utilizados os seguintes símbolos:

	Leia o manual de instruções antes da utilização
	Instruções de utilização e outras informações úteis

1.2.3 Símbolos nas figuras

Em figuras são utilizados os seguintes símbolos:

	Estes números referem-se à respectiva imagem no início deste Manual
3	A numeração reproduz uma sequência dos passos de trabalho na imagem e pode divergir dos passos de trabalho no texto
	Na figura Vista geral são utilizados números de posição que fazem referência aos números da legenda na secção Vista geral do produto
	Este símbolo pretende despertar a sua atenção durante o manuseamento do produto.

1.3 Símbolos no produto

1.3.1 Símbolos dependentes do produto

No produto são utilizados os seguintes sinais de obrigação:

	É proibido o transporte por grua
--	----------------------------------



	Recicle o material
	Corrente alternada
	Indicador de manutenção
n_0	Velocidade nominal em vazio
\varnothing	Diâmetro
	Indicador de performance de perfuração

1.4 Símbolos dependentes do produto

Válvula 3 vias

	Posição para a perfuração a húmido
	Posição para a perfuração a seco
	Posição para drenagem da coroa de perfuração

Figuras

	Em caso de pausas nos trabalhos superiores a uma hora e temperaturas inferiores a 4 °C, esvaziar o sistema de arrefecimento conforme o descrito.
	É obrigatório usar um disjuntor de segurança PRCD.
	Em cima: Para perfurações horizontais com fixação por vácuo, a coluna não pode ser utilizada sem um dispositivo de segurança adicional.



1.5 Dados informativos sobre o produto

Os produtos Hilti foram concebidos para uso profissional e só devem ser utilizados, mantidos e reparados por pessoal autorizado e devidamente credenciado. Este pessoal deverá estar informado, em particular, sobre os potenciais perigos. O produto e seu equipamento auxiliar podem representar perigo se usados incorrectamente por pessoas não qualificadas ou se usados para fins diferentes daqueles para os quais foram concebidos.

A designação e o número de série são indicados na placa de características.

- ▶ Registe o número de série na tabela seguinte. Os dados do produto são necessários para colocar questões ao nosso representante ou posto de serviço de atendimento aos clientes.

Dados do produto

Perfurador diamantado	DD 350-CA
Geração	01
N.º de série	

1.6 Declaração de conformidade

Declaramos sob nossa exclusiva responsabilidade que o produto aqui descrito está em conformidade com as directivas e normas em vigor. Na parte final desta documentação encontra uma reprodução do organismo de certificação.

As documentações técnicas estão aqui guardadas:

Hilti Entwicklungsgesellschaft mbH | Zulassung Geräte | Hiltistraße 6 | 86916 Kaufering, DE

2 Segurança

2.1 Normas de segurança gerais para ferramentas eléctricas

⚠ AVISO Leia todas as normas de segurança, instruções, imagens e dados técnicos, com os quais esta ferramenta eléctrica está equipada. O não cumprimento das instruções a seguir pode resultar em choque eléctrico, incêndio e/ou ferimentos graves.

Guarde bem todas as normas de segurança e instruções para futura referência.

O termo "ferramenta eléctrica" utilizado nas normas de segurança refere-se a ferramentas com ligação à corrente eléctrica (com cabo de alimentação) ou a ferramentas a bateria (sem cabo).

Segurança no posto de trabalho

- ▶ **Mantenha a sua área de trabalho limpa e bem iluminada.** Locais desarrumados ou mal iluminados podem ocasionar acidentes.
- ▶ **Não utilize a ferramenta eléctrica em ambientes explosivos ou na proximidade de líquidos ou gases inflamáveis.** Ferramentas eléctricas produzem faíscas que podem provocar a ignição de pó e vapores.
- ▶ **Mantenha crianças e terceiros afastados durante os trabalhos.** Distracções podem conduzir à perda de controlo sobre a ferramenta.

Segurança eléctrica

- ▶ **A ficha da ferramenta eléctrica deve servir na tomada. A ficha não deve ser modificada de modo algum. Não utilize quaisquer adaptadores com ferramentas eléctricas com ligação terra.** Fichas originais (não modificadas) e tomadas adequadas reduzem o risco de choque eléctrico.
- ▶ **Evite o contacto do corpo com superfícies ligadas à terra, como, por exemplo, canos, radiadores, fogões e frigoríficos.** Existe um risco elevado de choque eléctrico se o corpo estiver com ligação à terra.
- ▶ **As ferramentas eléctricas não devem ser expostas à chuva nem à humidade.** A infiltração de água numa ferramenta eléctrica aumenta o risco de choque eléctrico.
- ▶ **Não use o cabo de ligação para transportar, pendurar ou desligar a ferramenta eléctrica da tomada. Mantenha o cabo de ligação afastado de calor, óleo, arestas vivas ou partes em movimento.** Cabos de ligação danificados ou emaranhados aumentam o risco de choque eléctrico.
- ▶ **Quando operar uma ferramenta eléctrica ao ar livre, utilize apenas cabos de extensão próprios para utilização no exterior.** A utilização de um cabo de extensão próprio para utilização no exterior reduz o risco de choques eléctricos.
- ▶ **Utilize um disjuntor diferencial se não puder ser evitada a utilização da ferramenta eléctrica em ambiente húmido.** A utilização de um disjuntor diferencial reduz o risco de choque eléctrico.



Segurança física

- ▶ **Esteja alerta, observe o que está a fazer, e tenha prudência ao trabalhar com uma ferramenta eléctrica.** Se estiver cansado ou sob influência de drogas, álcool ou medicamentos não efectue nenhum trabalho com ferramentas eléctricas. Um momento de distração ao operar a ferramenta eléctrica pode causar ferimentos graves.
- ▶ **Use equipamento de segurança. Use sempre óculos de protecção.** Equipamento de segurança, como, por exemplo, máscara antipoeiras, sapatos de segurança antiderrapantes, capacete de segurança ou protecção auricular, de acordo com o tipo e aplicação da ferramenta eléctrica, reduzem o risco de lesões.
- ▶ **Evite um arranque involuntário. Assegure-se de que a ferramenta eléctrica está desligada antes de a ligar à fonte de alimentação e/ou à bateria, pegar nela ou a transportar.** Transportar a ferramenta eléctrica com o dedo no interruptor ou ligar uma ferramenta à tomada com o interruptor ligado (ON) pode resultar em acidentes.
- ▶ **Remova quaisquer chaves de ajuste (chaves de fenda), antes de ligar a ferramenta eléctrica.** Um acessório ou chave deixado preso numa parte rotativa da ferramenta pode causar ferimentos.
- ▶ **Evite posturas corporais desfavoráveis. Mantenha sempre uma posição correcta, em perfeito equilíbrio.** Desta forma será mais fácil manter o controlo sobre a ferramenta eléctrica em situações inesperadas.
- ▶ **Use roupa apropriada. Não use roupa larga ou jóias. Mantenha o cabelo, vestuário e luvas afastados das peças móveis.** Roupas largas, jóias ou cabelos compridos podem ficar presos nas peças móveis.
- ▶ **Se poderem ser montados sistemas de remoção e de recolha de pó, assegure-se de que estes estão ligados e são utilizados correctamente.** A utilização de um sistema de remoção de pó pode reduzir os perigos relacionados com a exposição ao mesmo.
- ▶ **Não se acomode numa falsa sensação de segurança e não ignore os regulamentos de segurança para ferramentas eléctricas, mesmo se estiver familiarizado com a ferramenta eléctrica após numerosas utilizações.** Agir de forma descuidada pode causar ferimentos graves dentro duma fracção de segundo.

Utilização e manuseamento da ferramenta eléctrica

- ▶ **Não sobrecarregue a ferramenta. Use para o seu trabalho a ferramenta eléctrica correcta.** Com a ferramenta eléctrica adequada obterá maior eficiência e segurança se respeitar os seus limites.
- ▶ **Não utilize a ferramenta eléctrica se o interruptor estiver defeituoso.** Uma ferramenta eléctrica que já não possa ser accionada pelo interruptor é perigosa e deve ser reparada.
- ▶ **Retire a ficha da tomada e/ou remova uma bateria amovível antes de efectuar ajustes na ferramenta, substituir acessórios ou guardar a ferramenta.** Esta medida preventiva evita o accionamento acidental da ferramenta eléctrica.
- ▶ **Guarde ferramentas eléctricas não utilizadas fora do alcance das crianças. Não permita que a ferramenta seja utilizada por pessoas não familiarizadas com a mesma ou que não tenham lido estas instruções.** Ferramentas eléctricas operadas por pessoas não treinadas são perigosas.
- ▶ **Faça uma manutenção regular de ferramentas eléctricas e acessórios. Verifique se as partes móveis funcionam perfeitamente e não emperram ou se há peças quebradas ou danificadas que possam influenciar o funcionamento da ferramenta eléctrica. Peças danificadas devem ser reparadas antes da utilização da ferramenta.** Muitos acidentes são causados por ferramentas eléctricas com manutenção deficiente.
- ▶ **Mantenha as ferramentas de corte sempre afiadas e limpas.** Acessórios com gumes afiados tratados correctamente emperram menos e são mais fáceis de controlar.
- ▶ **Utilize a ferramenta eléctrica, acessórios, bits, etc., de acordo com estas instruções. Tome também em consideração as condições de trabalho e o trabalho a ser efectuado.** A utilização da ferramenta eléctrica para outros fins além dos previstos, pode ocasionar situações de perigo.
- ▶ **Mantenha punhos e respectivas superfícies secos, limpos e isentos de óleo e gordura.** Punhos e superfícies afins escorregadios não permitem um manuseamento e controlo seguro da ferramenta eléctrica em situações imprevistas.

Manutenção

- ▶ **A sua ferramenta eléctrica só deve ser reparada por pessoal qualificado e só devem ser utilizadas peças sobressalentes originais.** Isto assegurará que a segurança da ferramenta eléctrica se mantenha.



2.2 Normas de segurança para máquinas de perfuração diamantadas

- ▶ **Ao executar trabalhos de furação que exijam a utilização de água, desvie a água da área de trabalho ou utilize um sistema de recolha de líquidos.** Tais precauções mantêm a área de trabalho seca e reduzem o risco de choque eléctrico.
- ▶ **Opere a ferramenta eléctrica pelas áreas isoladas dos punhos, quando executar trabalhos onde a ferramenta de corte pode encontrar cabos eléctricos encobertos ou o próprio cabo de ligação.** O contacto de uma ferramenta de corte com um cabo sob tensão também pode colocar peças metálicas da ferramenta eléctrica sob tensão e causar um choque eléctrico.
- ▶ **Ao perfurar com equipamento diamantado, use protecção auricular.** Ruído em excesso pode levar à perda de audição.
- ▶ **Se o acessório encravar, não aplique mais força de avanço e desligue a ferramenta.** Verifique a razão do encravamento e elimine a causa de acessórios encravados.
- ▶ **Se pretender voltar a accionar uma máquina de perfuração diamantada que está presa no material, verifique antes de ligar se o acessório roda livremente.** Quando o acessório encrava, é possível que não rode e isto pode levar à sobrecarga da ferramenta ou a que a máquina de perfuração diamantada se solte do material.
- ▶ **Em caso de fixação da coluna ao material através de buchas e parafusos, assegure-se de que a ancoragem utilizada está em condições de, durante a utilização, manter a máquina segura.** Quando o material não tiver a resistência necessária ou for poroso, a bucha pode ser puxada para fora, fazendo com que a coluna se solte do material.
- ▶ **Ao furar através de paredes ou tectos, assegure-se de que pessoas e área de trabalho do outro lado estão protegidos.** A coroa de perfuração pode ir além do furo e a carote pode cair para fora do outro lado.
- ▶ **Não utilize esta ferramenta para trabalhos de furação por cima da cabeça com fornecimento de água.** A infiltração de água na ferramenta eléctrica aumenta o risco de choque eléctrico.

2.3 Normas de segurança adicionais

Segurança física

- ▶ **Não é permitida a modificação ou manipulação da ferramenta.**
- ▶ **A ferramenta não está concebida para pessoas debilitadas sem formação.**
- ▶ Mantenha a ferramenta afastada das crianças.
- ▶ **Evite o contacto com peças rotativas. Ligue a ferramenta apenas quando estiver no local de trabalho.** O contacto com peças rotativas, especialmente ferramentas rotativas, pode causar ferimentos.
- ▶ **Evite o contacto da pele com a lama resultante da perfuração.**
- ▶ Pós de materiais, como tinta com chumbo, algumas madeiras, betão/alvenaria/rochas quartzíferas, minerais e metal podem ser nocivos. O contacto ou a inalação do pó podem provocar reacções alérgicas e/ou doenças das vias respiratórias no utilizador ou em pessoas que se encontrem nas proximidades. Determinados pós, como os de carvalho ou de faia, são considerados cancerígenos, especialmente em combinação com aditivos para o tratamento de madeiras (cromato, produtos para a preservação de madeiras). Material que contenha amianto só pode ser manuseado por pessoal especializado. Utilize um sistema de remoção de pó o mais eficiente possível. Para isso, utilize um removedor de pó móvel recomendado pela **Hilti** para poeiras de madeira e/ou minerais, que tenha sido adaptado para esta ferramenta eléctrica. Assegure-se de que o local de trabalho está bem ventilado. Recomenda-se que use uma máscara antipoeiras adequada ao respectivo pó. Respeite as regulamentações em vigor no seu país relativas aos materiais a trabalhar.
- ▶ O perfurador diamantado e a coroa diamantada são pesados. Pode haver esmagamentos. **O utilizador e restantes pessoas que se encontrem na proximidade da ferramenta devem usar óculos de protecção, capacete de segurança, protecção auricular, luvas de protecção e botas de protecção.**

Utilização e manutenção de ferramentas eléctricas

- ▶ **Assegure-se de que a ferramenta está devidamente fixa na coluna.**
- ▶ **Assegure-se de que um limitador de curso está sempre colocado na coluna; caso contrário, não está assegurada a função do limitador de curso, relevante em termos de segurança.**
- ▶ **Verifique se os acessórios utilizados são compatíveis com o sistema de encaixe e se estão correctamente encaixados no mandril.**

Segurança eléctrica

- ▶ **Evite utilizar extensões de cabo com tomadas múltiplas, bem como utilizar vários equipamentos ligados à mesma extensão.**



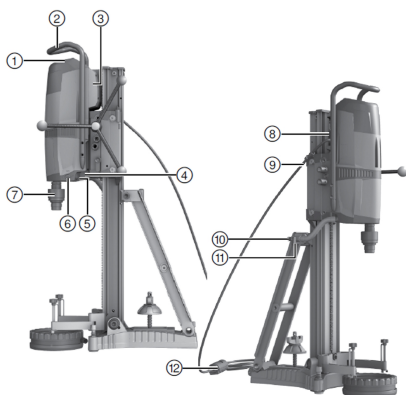
- ▶ A ferramenta deve apenas ser operada quando conectada a uma fonte de alimentação com condutor de protecção e adequadamente dimensionada.
- ▶ Antes de iniciar os trabalhos, verifique o local de trabalho relativamente a cabos eléctricos encobertos, bem como tubos de gás e água, por ex., com um detector de metais. Partes metálicas externas da ferramenta podem transformar-se em condutores de corrente se, por ex., uma linha eléctrica for danificada inadvertidamente. Isto representa um sério perigo de choque eléctrico.
- ▶ **Certifique-se de que o cabo de alimentação não é danificado durante o avanço do patim.**
- ▶ Nunca opere a ferramenta sem o PRCD fornecido juntamente (para ferramentas sem PRCD, nunca sem transformador de isolamento). Verifique o PRCD antes de cada utilização.
- ▶ Verifique o cabo eléctrico regularmente. Se danificado, deve ser imediatamente substituído por um especialista. Quando o cabo de ligação da ferramenta eléctrica está danificado, deve ser substituído por um cabo de ligação específico e aprovado, que se encontra disponível através do Serviço de Clientes Hilti. Verifique as extensões de cabo regularmente. Se estiverem danificadas, deverão ser substituídas. Se danificar o cabo enquanto trabalha, não lhe toque e desligue a ferramenta imediatamente. Retire a ficha de rede da tomada. Linhas de conexão e extensões danificadas representam um risco de choque eléctrico.
- ▶ **Nunca utilize a ferramenta se esta estiver suja ou molhada.** O pó (nomeadamente o pó resultante de materiais condutores) ou a humidade aderente à superfície da ferramenta podem, sob condições desfavoráveis, causar choques eléctricos. Por conseguinte, se trabalha materiais condutores com frequência, recomendamos que mande verificar periodicamente a sua ferramenta por um Centro de Assistência Técnica Hilti.

Local de trabalho

- ▶ Deverá obter-se previamente junto do engenheiro ou arquitecto da obra uma autorização para iniciar trabalhos de perfuração e corte. Os trabalhos de perfuração em edifícios podem influenciar a estática da estrutura, especialmente quando se cortam vigas de reforço ou outros componentes de suporte.
- ▶ Mova a ferramenta montada na coluna, em caso de coluna não devidamente fixada, sempre totalmente para baixo, de modo a evitar que tombe.
- ▶ Mantenha o cabo de alimentação e a extensão, a mangueira de aspiração e de vácuo longe de elementos rotativos.
- ▶ Ao perfurar com água, é obrigatória a utilização de um sistema colector de água em conjunto com um aspirador de líquidos ao efectuar furos no tecto.
- ▶ Para efectuar furos no tecto é proibido utilizar a fixação por vácuo sem fixação adicional.
- ▶ Para perfurações horizontais com fixação por vácuo (acessório), a coluna não pode ser utilizada sem um dispositivo de segurança adicional.

3 Descrição

3.1 Vista geral do produto



- ① Painel de controlo e campo indicador
- ② Pega de transporte
- ③ Placa indicadora de potência
- ④ Punho
- ⑤ Tampão de escoamento da água
- ⑥ Válvula de 3 vias
- ⑦ Mandril
- ⑧ Tomada de ligação
- ⑨ Guia do cabo
- ⑩ Ligação para a mangueira da água
- ⑪ Regulador do fluxo de água
- ⑫ Cabo de alimentação com PRCD



3.2 Painel de controlo e campo indicador 2

- | | |
|---|----------------------------------|
| ① Selector de velocidades | ④ Interruptor ON |
| ② Indicador de performance de perfuração | ⑤ Interruptor OFF |
| ③ Monitorização da temperatura/corrente de fuga | ⑥ Botão de armadura (Iron Boost) |
| | ⑦ Indicador de manutenção |

3.3 Placa de vácuo (acessório) 3

- | | |
|--------------------------------|---------------------------------|
| ① Válvula de segurança (vácuo) | ④ Manómetro |
| ② Ligação de vácuo | ⑤ Suporte do kit de rodas |
| ③ Vedante de vácuo | ⑥ Parafusos de nivelamento (4x) |

3.4 Visão geral dos acessórios 4

Coluna DD-HD 30 (acessório)

- | | |
|---|--|
| ① Interruptor final com cobertura de carril | ⑩ Travamento do patim |
| ② Níveis de bolha (2x) | ⑪ Excêntrico (mecanismo de travamento das ferramentas) |
| ③ Patim | ⑫ Volante |
| ④ Punho (2x) | ⑬ Posição da bucha |
| ⑤ Escora | ⑭ Desmultiplicação (1:3) |
| ⑥ Parafusos de nivelamento (3x) | ⑮ Accionamento directo (1:1) |
| ⑦ Suporte do kit de rodas | ⑯ Placa indicadora de potência |
| ⑧ Placa base | ⑰ Indicador para centragem do furo |
| ⑨ Carril | |

Conjunto de fixação para coluna (acessório)

- | | |
|-----------------|--------------------|
| ⑱ Porca tensora | ⑲ Varão de encaixe |
|-----------------|--------------------|

Sistema colector de água (acessório)

- | | |
|--------------------|-------------------------------|
| ⑳ Disco vedante | ㉓ Suporte do colector de água |
| ㉑ Colector da água | |

3.5 Utilização correcta

O produto descrito é um perfurador diamantado eléctrico e foi concebido para ser utilizado com suporte de coluna para perfuração a húmido de furos de atravessamento e furos cegos em materiais minerais (com armação) com coroas diamantadas.

O perfurador diamantado só pode ser utilizado com coluna, devendo ser assegurada uma fixação suficiente à base por meio de bucha ou base de vácuo.

- ▶ Certifique-se de que a corrente eléctrica à qual a ferramenta é ligada está de acordo com a mencionada na placa indicadora de potência.
- ▶ O produto descrito não é adequado para a utilização manual.

3.6 Aplicação com diferentes equipamentos

Se se estender a coluna de perfuração para 2 m ou mais, deve utilizar-se um apoio adicional.

Equipamento	Diâmetro da coroa de perfuração \varnothing	Direcção da perfuração	Comprimento de trabalho padrão
Sistema com colector de água	52 mm...250 mm (2,0 in...9,8 in)	Todas as direcções	500 mm (19,7 in)
Sistema sem água	52 mm...500 mm (2,0 in...19,7 in)	Todas as direcções	500 mm (19,7 in)



3.7 Indicações

Estado	Significado
Indicador de manutenção está aceso	Mande reparar o produto no Centro de Assistência Técnica Hilti .
O indicador de manutenção pisca temporariamente	Erro no produto.
O indicador de manutenção pisca permanentemente	Mande reparar o produto no Centro de Assistência Técnica Hilti .
Os indicadores para refrigeração e erros de tensão acendem	Verificar a afluência de água.
os indicadores para refrigeração e erros de tensão piscam	Verificar a alimentação de tensão.
O indicador de performance de perfuração acende a verde	Força de pressão ideal (após furar).
O indicador de performance de perfuração acende a cor-de-laranja	Força de pressão insuficiente, por ex. ao furar.
O indicador de performance de perfuração acende a vermelho	Força de pressão demasiado elevada.


3.8 Incluído no fornecimento

Perfurador diamantado, manual de instruções.

Poderá encontrar outros produtos de sistema aprovados para o seu produto no seu **Hilti Store** ou online, em: www.hilti.group | EUA: www.hilti.com.

4 Características técnicas

4.1 Perfurador diamantado

 Consulte a tensão nominal, corrente nominal, frequência e/ou potência nominal na sua placa de características específica do país.

Em caso de alimentação por um gerador ou transformador, a respectiva potência de saída deverá ter, no mínimo, o dobro da potência nominal indicada na placa de características da ferramenta. A tensão de serviço do transformador ou gerador deverá encontrar-se sempre entre +5% e -15% da tensão nominal da ferramenta.

	DD 350
Mandril	BL
Máx. pressão permitida da água	6 bar
Fluxo mínimo (máx. +30°C)	0,5 ℓ/min
Peso da unidade motriz	14,4 kg (31,7 lb)
Peso com coluna	34,9 kg (76,9 lb)
Potência nominal	3 600 W
Máx. profundidade de perfuração sem extensão	500 mm (19,7 in)
Classe de protecção	I
Disjuntor diferencial	PRCD
Protecção contra pó e água	IP 55



4.2 Seleção de velocidade do diâmetro da coroa de perfuração

	Diâmetro da coroa de perfuração \varnothing	Diâmetro da coroa de perfuração \varnothing	Velocidade de rotação em vazio (240 V)	Velocidade de rotação em vazio (110 V)
1	52 mm ... 62 mm	2 in ... 2 3/8 in	667 rpm	667 rpm
2	72 mm ... 92 mm	2 3/4 in ... 3 1/2 in	667 rpm	667 rpm
3	102 mm ... 112 mm	4 in ... 4 1/2 in	667 rpm	619 rpm
4	122 mm	4 3/4 in	619 rpm	571 rpm
5	127 mm ... 142 mm	5 in ... 5 1/2 in	571 rpm	524 rpm
6	152 mm ... 162 mm	6 in ... 6 3/4 in	524 rpm	464 rpm
7	172 mm ... 182 mm	6 3/4 in ... 7 in	405 rpm	369 rpm
8	202 mm	8 in	357 rpm	321 rpm
9	225 mm ... 250 mm	9 in ... 10 in	310 rpm	286 rpm
10	300 mm ... 500 mm	12 in ... 20 in	286 rpm	238 rpm

5 Utilização

5.1 Preparação do local de trabalho



AVISO

Risco de ferimentos devido a fixação insuficiente! Se for utilizada uma coluna, esta pode rodar ou tombar se não estiver suficientemente fixa.

- ▶ Antes da utilização do perfurador diamantado, fixe a coluna com buchas ou através de uma base de vácuo no material base a trabalhar.
- ▶ Utilize apenas buchas adequadas ao material base existente e tenha em atenção as instruções de montagem do fabricante da bucha.
- ▶ Só utilize uma base de vácuo, se o material base existente se adequar à fixação da coluna com uma fixação por vácuo.

5.1.1 Montar a coluna

1. Solte o parafuso em cima, na escora e em baixo, na articulação do carril.
2. Coloque o carril na vertical.
3. Aperte os parafusos em cima na escora e em baixo na articulação, no carril.
4. Monte a cobertura com ressalto limitador integrado na extremidade superior do carril.

5.1.2 Montar o volante



Podem montar o volante à direita ou à esquerda no patim, sobre dois eixos diferentes.

Se montar o volante no eixo superior, o eixo actua directamente sobre o accionamento do patim.

Se montar o volante no eixo inferior, o eixo actua com uma desmultiplicação sobre o accionamento do patim.

1. Monte o volante do respectivo lado, no eixo pretendido.
2. Fixe o volante com o parafuso.

5.1.3 Fixar a coluna com bucha



AVISO

Perigo de ferimentos devido à utilização de bucha errada! A ferramenta pode desprender-se e provocar danos.

- ▶ Utilize a bucha adequada ao material base existente e tenha em atenção as instruções de montagem do fabricante da bucha.

1. Coloque a bucha para a placa base afastada 330 mm (13 pol.) do centro do furo.



Se trabalhar com um distanciador, a distância irá aumentar em conformidade.



2. Enrosque o varão de aperto na bucha.
3. Coloque a coluna sobre o varão e posicione-a.
4. Enrosque a porca de aperto no varão, sem apertar firmemente.
5. Nivele a placa base com os parafusos de nivelamento.
6. Aperte a porca de aperto no varão com uma chave de forqueta adequada.
7. Assegure-se de que a coluna está fixa com segurança.

5.1.4 Fixar a coluna com vácuo

PERIGO

Risco de ferimento devido a queda do perfurador diamantado !

- ▶ A fixação da coluna ao tecto, apenas com fixação por vácuo, não é permitida. Uma fixação adicional pode, por exemplo, ser assegurada através de uma escora pesada ou um varão de enroscar.

AVISO

Perigo de ferimentos caso falte o controlo da pressão !

- ▶ Antes de iniciar a perfuração e enquanto durar a operação, certifique-se de que o ponteiro do manómetro se mantém na faixa verde.



Quando a coluna com base da bucha é utilizada, estabeleça uma ligação firme e nivelada entre base de vácuo e base da bucha. aparafuse a base de bucha sobre a base de vácuo. Certifique-se de que a coroa de perfuração escolhida não danifica a base de vácuo.

Para perfurações horizontais, fixe adicionalmente o perfurador diamantado (p. ex., corrente fixa por uma bucha).

Leia o manual de instruções da bomba de vácuo.



Antes do posicionamento da coluna assegure-se de que está disponível espaço suficiente para montagem e manuseamento.

1. Rode todos os parafusos de nivelamento de modo a que sobressaiam aprox. 5 mm da parte de baixo da base de vácuo.
2. Una a ligação de vácuo da base de vácuo à bomba de vácuo.
3. Coloque a coluna sobre a base de vácuo.
4. Monte a coluna sobre a base de vácuo com o parafuso e a anilha fornecidos e aperte o parafuso.
5. Determine o centro do furo.
6. Trace uma linha com aprox. 800 mm de comprimento na direcção em que o sistema de perfuração deve ser colocado.
7. Faça uma marca a 165 mm (6 1/2 ") de distância do centro do furo na linha de 800 mm de comprimento.
8. Ligue a bomba de vácuo, prima a válvula de ventilação e mantenha-a premida.
9. Posicione o suporte de coluna sobre o material base.
10. Solte a válvula de ventilação para vácuo.
11. Nivele a base de vácuo com os parafusos de nivelamento.
 - ▶ O ponteiro no manómetro encontra-se na faixa verde.



Não nivele a base da bucha sobre a base de vácuo.

12. Utilize um dispositivo de segurança para perfurações horizontais.
13. Assegure-se de que a coluna está fixa com segurança.

5.1.5 Ajustar o ângulo na coluna de suporte com base combinada

CUIDADO

Tome cuidado para não trilhar os dedos! A libertação do mecanismo de aperto pode levar a que a coluna tombe subitamente.

- ▶ Use luvas de protecção.
- ▶ Antes de soltar o mecanismo de aperto, segure a coluna para que não tombe.



1. Solte os parafusos em cima, na escora e em baixo, na articulação do carril.
2. Coloque o carril na posição desejada.
3. Aperte os parafusos em cima na escora e em baixo na articulação, no carril.

5.1.6 Utilizar a extensão do carril



Para iniciar a perfuração, deve apenas utilizar coroas de perfuração ou coroas de perfuração com extensão até um comprimento total máximo de 650 mm (25 1/2 pol.).

Como limitador de curso adicional, pode utilizar-se um limitador de profundidade na guia.

Após a desmontagem da guia de extensão, é necessário voltar a montar a capa (com limitador de curso integrado) na coluna. Caso contrário, não está assegurada a função do limitador de curso, relevante em termos de segurança.

1. Retire a capa (com limitador de curso integrado) na extremidade superior do carril.
2. Monte a capa na guia de extensão.
3. Encaixe o cilindro da guia de extensão na guia da coluna.
4. Fixe a guia de extensão rodando o excêntrico.

5.1.7 Montar distanciador



AVISO

Risco de ferimentos. A fixação pode ficar sobrecarregada.

- ▶ Quando um ou vários distanciadores são utilizados, a força de compressão tem de ser reduzida para não sobrecarregar a fixação.



Quando se utiliza uma coroa de diâmetro superior a 300 mm (11 1/2 pol.), a distância entre o eixo de perfuração e a coluna tem de ser aumentada com ajuda de um ou dois distanciadores. O indicador de centragem de furo não pode ser usado em simultâneo com o distanciador.

O perfurador diamantado não está montado durante a montagem do distanciador.

1. Trave o patim com o mecanismo de travamento do patim na coluna.
2. Extraia o excêntrico para travamento do perfurador diamantado no patim.
3. Coloque o distanciador no carril.
4. Empurre o excêntrico no carril até ao batente.
5. Aperte o parafuso de bloqueio.
6. Assegure-se de que o distanciador está fixa com segurança.

5.1.8 Fixar o perfurador diamantado à coluna



CUIDADO

Risco de ferimentos Perigo devido a arranque involuntário do perfurador diamantado.

- ▶ O perfurador diamantado não deve estar ligado à corrente eléctrica durante os trabalhos de montagem.

1. Trave o patim com o mecanismo de travamento do patim na coluna.
2. Extraia o excêntrico para travamento do perfurador diamantado no patim.
3. Coloque o perfurador diamantado no patim ou no distanciador.
4. Desloque o excêntrico até ao batente no carril ou no distanciador.
5. Aperte o parafuso de bloqueio.
6. Prenda o cabo de alimentação na guia do cabo na capa do patim.
7. Assegure-se de que o perfurador diamantado está fixo com segurança à coluna.



5.1.9 Ligar o fornecimento de água

ATENÇÃO

Perigo em caso de utilização incorrecta! Em caso de utilização incorrecta, a mangueira poderá ser destruída.

- ▶ Verifique periodicamente o estado da mangueira e assegure-se de que não é excedida a pressão máxima permitida da água (consultar Características técnicas).
- ▶ Certifique-se de que a mangueira não entra em contacto com peças em rotação.
- ▶ Certifique-se de que a mangueira não é danificada durante o avanço do patim.
- ▶ Tenha em atenção a indicação sobre a temperatura máxima da água no capítulo Características técnicas.
- ▶ Verifique a estanquidade do sistema de alimentação de água utilizado.



Utilize apenas água potável ou água sem partículas de sujidade de modo a evitar uma danificação dos componentes.

Como acessório pode ser montado um indicador do fluxo de água entre a ferramenta e a ligação do abastecimento.

1. Feche o regulador do fluxo de água no perfurador diamantado.
2. Estabeleça a ligação ao fornecimento de água (ligação para mangueira).

5.1.10 Montar o sistema colector de água (acessório)

AVISO

Perigo devido a choque elétrico! Em caso de aspiração defeituosa pode correr água através do motor e da cobertura!

- ▶ Interrompa imediatamente o trabalho quando a aspiração deixar de funcionar.



O perfurador diamantado deverá estar posicionado num ângulo de 90° relativamente ao tecto. O disco vedante do sistema colector de água deve estar adaptado ao diâmetro da coroa diamantada.



A utilização do sistema colector permite que a água seja drenada da coroa, evitando assim sujar a área circundante ao furo. Atingem-se melhores resultados se for utilizado um aspirador de líquidos em conjunto.



Quando a coluna é utilizada: Antes da montagem do suporte do colector de água, fixe o distanciador para o suporte do colector de água à coluna.

1. Desaperte o parafuso na coluna na parte da frente em baixo na guia.
2. Empurre o suporte do colector da água por baixo, para trás do parafuso.
3. Aperte o parafuso.
4. Coloque o colector da água com vedante montado e disco vedante entre os dois braços móveis do suporte.
5. Fixe o colector da água ao suporte com os dois parafusos.
6. Ligue um aspirador de líquidos ao colector da água ou forneça uma conexão com uma mangueira, através da qual a água possa escoar.

5.1.11 Inserir a coroa diamantada de perfuração

PERIGO

Risco de ferimentos Fragmentos do material ou de acessórios partidos podem ser projectados e provocar ferimentos mesmo para além da área de trabalho imediata.

- ▶ Não utilize acessórios danificados. Antes de cada utilização, examine os acessórios em relação a fragmentos e fissuras, desgaste ou forte deterioração.



CUIDADO

Risco de ferimentos ao efectuar a substituição de acessórios ! O acessório fica quente após utilização prolongada. Pode apresentar arestas vivas.

- ▶ Use sempre luvas de protecção durante a substituição de acessórios.

Coroas diamantadas têm de ser substituídas logo que a capacidade de corte ou o avanço da perfuração diminuir perceptivelmente. Isso acontece em geral quando a altura dos segmentos diamantados é inferior a 2 mm (1/16 pol.).

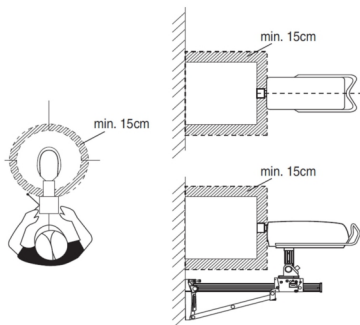
1. Trave o patim com o mecanismo de travamento do patim na coluna. Assegure-se de que está fixo com segurança.
2. Abra o porta-ferramentas, rodando-o no sentido do símbolo de **parêntesis abertos**.
3. Encaixe o sistema de encaixe da coroa diamantada a partir de baixo no dentado do mandril no perfurador diamantado.
4. Feche o porta-ferramentas, rodando-o no sentido do símbolo de **parêntesis fechados**.
5. Verifique se a coroa diamantada está bem encaixada no mandril.

5.1.12 Ajustar o limitador de profundidade (acessório)

1. Rode o volante, até a coroa de perfuração tocar no material base.
2. Defina a profundidade de perfuração pretendida com a distância entre o patim e o limitador de profundidade.
3. Fixe o limitador de profundidade.

5.2 Trabalhar

5.2.1 Manter a área de perigo desimpedida



A área a tracejado define a área de perigo do perfurador diamantado.

- Durante o funcionamento, mantenha uma distância mínima de 15 cm da coroa de perfuração.
- Mantenha-se durante o processo de perfuração atrás do montante.

5.2.2 Seleccionar a rotação

Accione o interruptor apenas no estado parado.

1. Seleccione a posição do interruptor segundo o diâmetro da coroa de perfuração utilizada.
2. Mova o selector de velocidades para a velocidade recomendada enquanto faz rodar a coroa manualmente.

5.2.3 Disjuntor de segurança PRCD

1. Encaixe a ficha do perfurador diamantado numa tomada de corrente com ligação à terra.
2. Prima o botão **ON** no disjuntor diferencial PRCD.
 - ▶ A indicação acende-se.



3. Prima o botão **TEST** no disjuntor diferencial PRCD.
 - ▶ A indicação apaga-se.

⚠ AVISO

Perigo de ferimentos devido a choque eléctrico! Se a indicação no disjuntor diferencial não apagar ao pressionar a tecla **0** ou **TEST**, o perfurador diamantado não poderá continuar a ser utilizado!

- ▶ Mandar reparar o seu perfurador diamantado no Centro de Assistência Técnica **Hilti**.
-

4. Prima o botão **ON** no disjuntor diferencial PRCD.
 - ▶ A indicação acende-se.

5.2.4 Perfurar com função de perfuração

1. Conduza a coroa de perfuração o mais próximo da base, mas sem tocar na base.
2. Prima o interruptor ON do perfurador diamantado.
3. Volte a premir o interruptor ON do perfurador diamantado.
 - ▶ A coroa de perfuração roda lentamente (21 rpm)
4. Pressione a coroa de perfuração contra a base.
5. Após aprox. 5 segundos, volte a premir o interruptor ON.
 - ▶ A coroa de perfuração roda de forma normal.
6. Prossiga o processo de perfuração.

5.2.5 Operar o perfurador diamantado 14**⚠ AVISO**

Perigo para pessoas e material O perfurador diamantado pode danificar-se e o perigo de choque eléctrico é maior.

- ▶ Ao perfurar com água, é obrigatória a utilização de um sistema colector de água em conjunto com um aspirador de líquidos ao efectuar furos no tecto.
-

⚠ PERIGO

Perigo para pessoas e material O aspirador de líquidos liga ou desliga com retardamento. Isto pode fazer com que água corra por cima do perfurador diamantado. O perfurador diamantado pode danificar-se e o perigo de choque eléctrico é maior.

- ▶ Ao furar para cima, o aspirador de líquidos deve ser ligado manualmente antes de se abrir o fornecimento de água e desligado manualmente depois de se fechar o fornecimento de água.
-

⚠ PERIGO

Perigo para pessoas e material O perfurador diamantado pode danificar-se e o perigo de choque eléctrico é maior.

- ▶ Interrompa o trabalho na perfuração para cima, quando a extracção deixar de funcionar (por exemplo, aspirador de líquidos está cheio).
-

⚠ AVISO

Perigo para pessoas e material O colector de água deixa de cumprir a sua função na perfuração inclinada para cima. O perfurador diamantado pode danificar-se e o perigo de choque eléctrico é maior.

- ▶ Não fure em ângulo oblíquo para cima.
-

1. Abra lentamente o regulador do fluxo de água até que flua o volume de água desejado.
2. Prima o interruptor ON do perfurador diamantado.
3. Abra o mecanismo de travamento do patim.
4. Rode o volante, até a coroa de perfuração tocar no material base.
5. No início da perfuração, empurre apenas ligeiramente até que a coroa de perfuração fique centrada. Só depois aumente a pressão gradualmente.
6. Regule a força de compressão observando o indicador de performance de perfuração.



5.2.6 Operar o perfurador diamantado a seco **15**

PERIGO

Perigo para pessoas e material O perfurador diamantado pode danificar-se e o perigo de choque eléctrico é maior.

- ▶ Interrompa o trabalho na perfuração para cima, quando a extracção deixar de funcionar (por exemplo, aspirador de líquidos está cheio).

AVISO

Perigo para pessoas e material O colector de água deixa de cumprir a sua função na perfuração inclinada para cima. O perfurador diamantado pode danificar-se e o perigo de choque eléctrico é maior.

- ▶ Não fure em ângulo oblíquo para cima.



Utilize uma máscara antipoeiras

1. Ligue um dispositivo de aspiração de pó e ar comprimido.
2. Coloque a válvula de 3 vias no perfurador em **Perfuração a seco**.
3. Prima o interruptor ON do perfurador diamantado.
4. Abra o mecanismo de travamento do patim.
5. Rode o volante, até a coroa de perfuração tocar no material base.
6. No início da perfuração, empurre apenas ligeiramente até que a coroa de perfuração fique centrada. Só depois aumente a pressão gradualmente.
7. Regule a força de compressão observando o indicador de performance de perfuração.

5.2.7 Desligar o perfurador diamantado

AVISO

Perigo para pessoas e material A coroa diamantada enche-se de água na perfuração para cima. O perfurador diamantado pode danificar-se e o perigo de choque eléctrico é maior.

- ▶ Ao terminar a perfuração em suspensão, deve drenar primeiro a água. Basta separar a mangueira de abastecimento no regulador do fluxo de água e deixar escoar a água abrindo o regulador do fluxo de água. Não deixe escoar água para cima do motor e da cobertura.

1. Se a seguinte condição estiver cumprida, execute adicionalmente esta acção:

Condições: Perfurar para cima

- ▶ Coloque a válvula de 3 vias na posição central, para descarregar água para a coroa de perfuração.
2. Retire a coroa do furo.
 3. Desligue o perfurador diamantado.
 4. Trave o patim com o mecanismo de travamento do patim na coluna.
 5. Desligue o aspirador (caso o utilize).

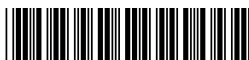
5.2.8 Passos de trabalho no caso de uma coroa de perfuração encravada

Em caso de encravamento, salta primeiro a embraiagem. Em seguida, o motor desliga.

A coroa de perfuração pode ser solta através dos seguintes passos:

5.2.8.1 Soltar a coroa de perfuração

1. Retire a ficha de rede da tomada.



2. Se a seguinte condição estiver cumprida, execute adicionalmente esta acção:

Condições: Soltar com chave de forqueta

- ▶ Solte a coroa de perfuração com a chave de forqueta, próximo do topo de encaixe.
- ▶ Solte a coroa de perfuração rodando-a.

3. Se a seguinte condição estiver cumprida, execute adicionalmente esta acção:

Condições: Soltar com o volante

- ▶ Com o volante, solte a coroa de perfuração do material base.
- ▶ Verifique o travamento rodando ligeiramente o volante.
- ▶ Ligue a ficha de rede do perfurador diamantado à tomada.

4. Ligue a ficha de rede do perfurador diamantado à tomada.
5. Prossiga o processo de perfuração.

5.2.9 Retirar a coroa de perfuração diamantada **16**

1. Retire a ficha de rede da tomada.
2. Bloquee o patim no carril.
3. Verifique o travamento rodando ligeiramente o volante.
4. Abra o porta-ferramentas, rodando-o no sentido do símbolo de **parêntesis abertos**.
5. Retire a coroa de perfuração.

5.2.10 Retirar o perfurador diamantado **17**

1. Trave o patim com o mecanismo de travamento do patim na coluna. Assegure-se de que está fixo com segurança.
2. Segure o perfurador diamantado com uma mão pelo punho.
3. Solte o excêntrico do travamento do perfurador diamantado.
4. Puxe o parafuso de bloqueio para fora.
5. Retire o perfurador diamantado do patim.
6. Empurre o excêntrico no carril até ao batente.

6 Conservação e manutenção

AVISO

Perigo devido a choque eléctrico! A conservação e manutenção com a ficha de ligação inserida pode originar ferimentos graves e queimaduras.

- ▶ Retirar sempre a ficha de ligação antes de todos os trabalhos de conservação e manutenção!

Conservação

- Remover a sujidade persistente com cuidado.
- Limpe as saídas de ar cuidadosamente com uma escova seca.
- Limpar a carcaça apenas com um pano ligeiramente humedecido. Não utilizar produtos de conservação que contenham silicone, uma vez que estes poderiam danificar os componentes de plástico.

Manutenção

AVISO

Perigo devido a choque eléctrico! Reparações incorrectas em peças eléctricas podem causar ferimentos e queimaduras graves.

- ▶ As reparações na parte eléctrica apenas podem ser executadas por um electricista especializado.
- Verificar, regularmente, todos os componentes visíveis quanto a danos e os comandos operativos quanto a funcionamento perfeito.
- Em caso de danos e/ou perturbações de funcionamento, não operar o aparelho. Mandar reparar de imediato pelo Centro de Assistência Técnica **Hilti**.
- Após os trabalhos de conservação e manutenção, aplicar todos os dispositivos de protecção e verificar o respectivo funcionamento.



6.1 Ajustar a folga entre a guia e o patim

A folga entre a guia e o patim pode ser ajustada através dos 4 parafusos de ajuste no patim. Os 4 rolamentos podem ser ajustados da seguinte forma.

1. Solte os parafusos de ajuste com uma chave para sextavado interior SW5 (não retirar).
2. Com uma chave de forqueta SW19, rode os parafusos de ajuste e prima ligeiramente os rolos na guia.
3. Aperte os parafusos de ajuste. O patim está correctamente ajustado quando permanece na sua posição sem o perfurador diamantado montado e se move para baixo com um perfurador diamantado.

7 Transporte e armazenamento

- Não transportar a ferramenta eléctrica com o instrumento inserido.
- Armazenar a ferramenta eléctrica sempre com a ficha de rede retirada.
- Armazenar a ferramenta seca e fora do alcance de crianças e pessoas não autorizadas.
- Após transporte ou armazenamento prolongado, antes da utilização, verificar a ferramenta eléctrica quanto a danos.

7.1 Armazenamento e pausas nos trabalhos com temperaturas baixas

Com temperaturas inferiores a 4 °C (39 °F), a água no circuito da água deve ser expulsa com ar comprimido antes de pausas nos trabalhos superiores a uma hora ou antes do armazenamento.

1. Interrompa o abastecimento de água.
2. Desligue o abastecimento de água do perfurador diamantado.
3. Abra o regulador do fluxo de água.
4. Coloque a válvula de 3 vias em **Perfuração a húmido**.
5. Remover a água do circuito da água injectando ar comprimido (máx. 3 bar).

8 Ajuda em caso de avarias

No caso de avarias que não sejam mencionadas nesta tabela ou se não conseguir resolvê-las por si mesmo, contacte o nosso Centro de Assistência Técnica **Hilti**.

8.1 O perfurador diamantado está pronto a funcionar

Avaria	Causa possível	Solução
<p>Indicador de manutenção está aceso.</p>	Intervalo de manutenção alcançado.	► Traga o perfurador diamantado à Hilti na próxima oportunidade.
<p>Indicador de manutenção está a piscar.</p>	Intervalo de manutenção excedido.	► Traga o perfurador diamantado à Hilti .
A velocidade de perfuração vai diminuindo.	Atingida a profundidade máxima de perfuração.	► Retire a carote e utilize uma extensão da coroa de perfuração.
	A carote fica presa no interior da coroa diamantada de perfuração.	► Retire a carote.
	Especificação errada para o material base.	► Seleccione uma especificação da coroa diamantada de perfuração mais adequada.



Avaria	Causa possível	Solução
A velocidade de perfuração vai diminuindo.	Grande percentagem de aço (identificável na água limpa com lima-lha).	▶ Selecciona uma especificação da coroa diamantada de perfuração mais adequada.
	Coroa diamantada de perfuração com defeito.	▶ Verifique se a coroa diamantada de perfuração apresenta danos e, se necessário, substitua-a.
	Seleccionada uma velocidade errada.	▶ Selecciona a velocidade correcta.
	Força de compressão demasiado baixa.	▶ Aumente a força de compressão.
	Potência insuficiente da ferramenta.	▶ Selecciona a velocidade mais baixa seguinte.
	Coroa diamantada de perfuração com muito desgaste.	▶ Afie a coroa diamantada de perfuração na placa de afiar.
	Volume de água demasiado alto.	▶ Reduza o fluxo de água com o respectivo regulador (garantir o volume de água mín. necessário de 0,5 l/min).
	Volume de água insuficiente.	▶ Controle o abastecimento de água à coroa diamantada de perfuração ou aumente a quantidade com a regulação de água.
	Retenção do patim fechada.	▶ Abra a retenção do patim.
A coroa diamantada de perfuração não roda.	A coroa diamantada de perfuração encravou no material base.	▶ Solte a coroa diamantada de perfuração com uma chave de forqueta: retire a ficha de rede da tomada. Segure a coroa perto do encabadouro com uma chave de forqueta adequada e solte-a, rodando-a.
		Perfurar com suporte de coluna ▶ Rode o volante e tente soltar a coroa diamantada de perfuração, movendo o patim para cima e para baixo.
O volante roda sem resistência.	Pino de cisalhamento partido.	▶ Substitua o pino de cisalhamento.
Impossível introduzir a coroa diamantada de perfuração no mandril.	Encabadouro/mandril sujo ou danificado.	▶ Limpe o encabadouro ou o mandril e lubrifique-os ou substitua-os.
Fuga de água na ligação da água ou na engrenagem.	A pressão da água é demasiado elevada.	▶ Reduza a pressão da água.
Fuga de água no mandril durante o funcionamento.	Coroa diamantada de perfuração insuficientemente aparafusada no mandril.	▶ Aparafuse bem a coroa. ▶ Retire a coroa diamantada de perfuração. Rode a coroa aprox. 90° em torno do respectivo eixo. Monte novamente a coroa.
	Encabadouro/mandril sujo.	▶ Limpe e lubrifique o encabadouro ou o mandril.
	Vedante do mandril ou do encabadouro com defeito.	▶ Verifique o vedante e, se necessário, substitua-o.




Avaria	Causa possível	Solução
Folga excessiva no sistema de perfuração.	Coroa diamantada de perfuração insuficientemente aparafusada no mandril.	<ul style="list-style-type: none"> ▶ Aparafuse bem a coroa. ▶ Retire a coroa diamantada de perfuração. Rode a coroa aprox. 90° em torno do respectivo eixo. Monte novamente a coroa.
	Encabadouro/mandril com defeito.	▶ Verifique o encabadouro e o mandril e, se necessário, substitua-os.
	A ligação entre o perfurador diamantado e o patim ou os distanciadores está solta.	▶ Verifique a ligação e, se necessário, fixe novamente o perfurador diamantado.
	O patim tem demasiada folga.	▶ Ajuste a folga entre a guia e o patim. 75
	As ligações aparafusadas no montante estão frouxas.	▶ Verifique se os parafusos no montante estão bem apertados e, se necessário, reaperte-os.
	Montante insuficientemente fixo.	▶ Fixe melhor o montante.

8.2 O perfurador diamantado não está pronto a funcionar

Avaria	Causa possível	Solução
<p>Indicador de manutenção não apresenta nenhuma indicação.</p>	PRCD não está ligado.	▶ Verifique se o disjuntor diferencial PRCD está operacional e ligue-o.
	Alimentação eléctrica interrompida.	<ul style="list-style-type: none"> ▶ Insira outra ferramenta eléctrica e verifique o funcionamento. ▶ Verifique as ligações de ficha, o cabo de rede, a linha de corrente e o fusível de rede.
<p>O indicador de temperatura, sobretensão e subtensão acende-se.</p>	O motor sobreaquece.	▶ Desligue o perfurador diamantado (pressionar o interruptor ao centro) e volte a ligá-lo. Verifique o fornecimento de água. Depois de arrefecer, o perfurador diamantado volta a estar pronto a funcionar.
<p>O indicador de temperatura, sobretensão e subtensão pisca.</p>	Erro na alimentação de tensão.	▶ Desligue o perfurador diamantado (pressionar o interruptor ao centro) e volte a ligá-lo. Verifique a alimentação de tensão (especialmente se se utilizar um alternador ou transformador).
	Foi accionada a paragem de emergência do avanço de perfuração automático DD-AF CA.	▶ Desbloqueie o botão de paragem de emergência do avanço da perfuração automático DD-AF CA.
<p>Indicador de manutenção está a piscar.</p>	Perfurador diamantado avariado ou activação da função de segurança.	▶ Desligue o perfurador diamantado (pressionar o interruptor ao centro) e volte a ligá-lo.
O motor desliga-se.	Coroa de perfuração bloqueada durante demasiado tempo.	▶ Anule o bloqueio, desligue o motor e volte a ligá-lo.



9 Reciclagem

 Os produtos **Hilti** são, em grande parte, fabricados com materiais recicláveis. Um pré-requisito para a reciclagem é que esses materiais sejam devidamente separados. Em muitos países, a **Hilti** aceita o seu aparelho usado para reaproveitamento. Para mais informações, dirija-se ao Serviço de Clientes **Hilti** ou ao seu vendedor.

Lama resultante de perfuração e corte

Em termos ambientais, a entrada da lama resultante de perfuração e corte em cursos de água ou canalização sem pré-tratamento adequado é problemática.

- ▶ Informe-se junto das autoridades locais acerca das regulamentações existentes.

Recomendamos o seguinte pré-tratamento:

- ▶ Recolha a lama resultante de perfuração ou corte (utilizando, por exemplo, um aspirador de líquidos).
- ▶ Separe as partículas finas na lama resultante de perfuração ou corte da água, deixando a lama repousar ou adicionando agente de floculação.
- ▶ Elimine a matéria sólida da lama resultante de perfuração ou corte para um aterro.
- ▶ Neutralize a água remanescente (alcalina, valor pH > 7) da lama resultante de perfuração e corte antes de a deixar entrar na canalização, adicionando uma grande quantidade de água ou um agente neutralizante ácido.

10 Garantia do fabricante

- ▶ Se tiver dúvidas em relação às condições de garantia, contacte o seu parceiro **Hilti** local.



This Product is Certified
Ce produit est homologué
Producto homologado por
Este producto está registrado





Hilti Corporation
LI-9494 Schaan
Tel.:+423 234 21 11
Fax:+423 234 29 65
www.hilti.group



2100852