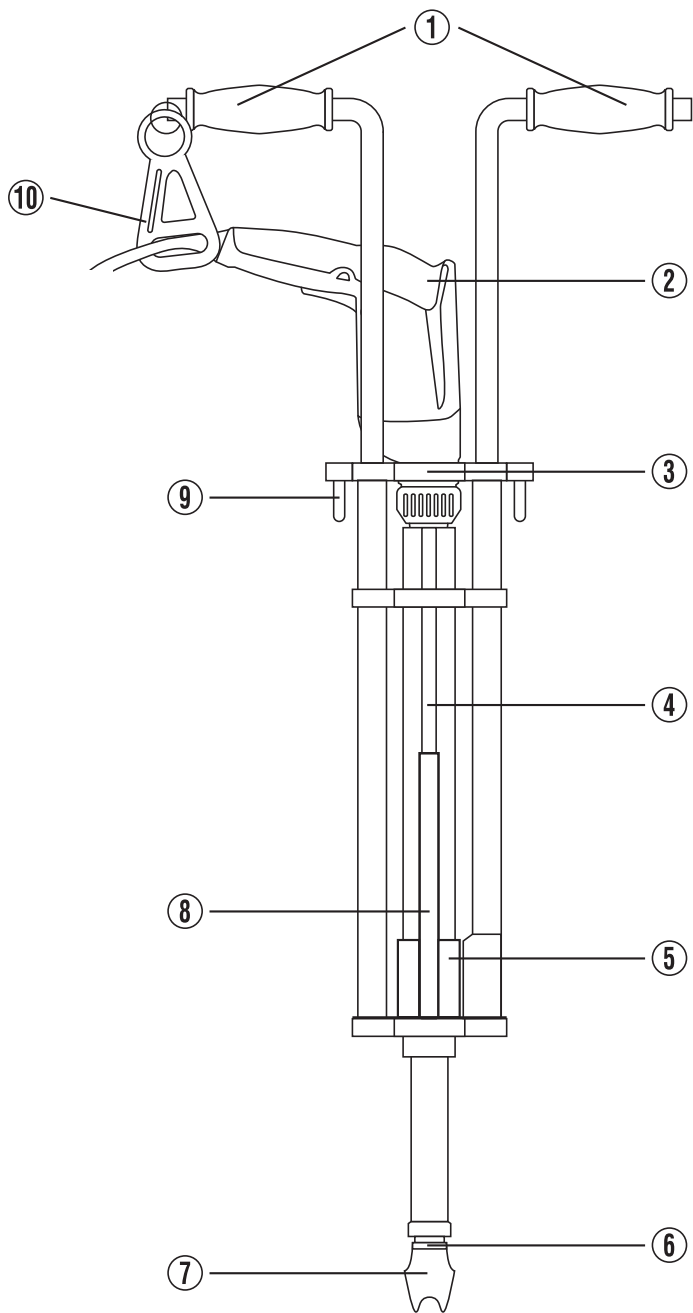
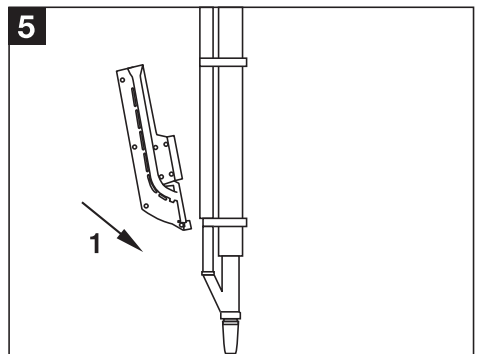
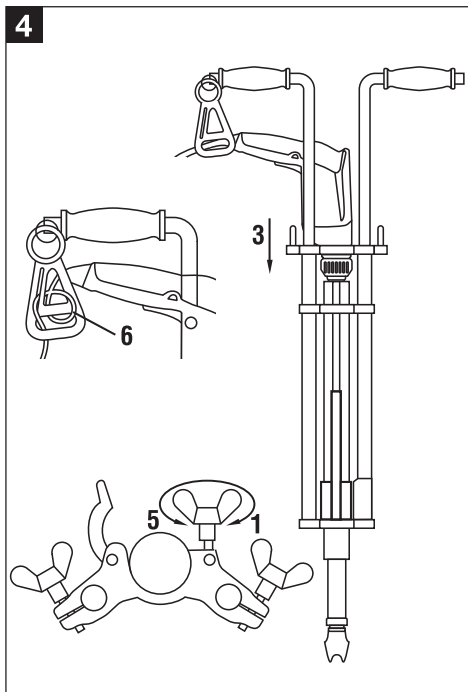
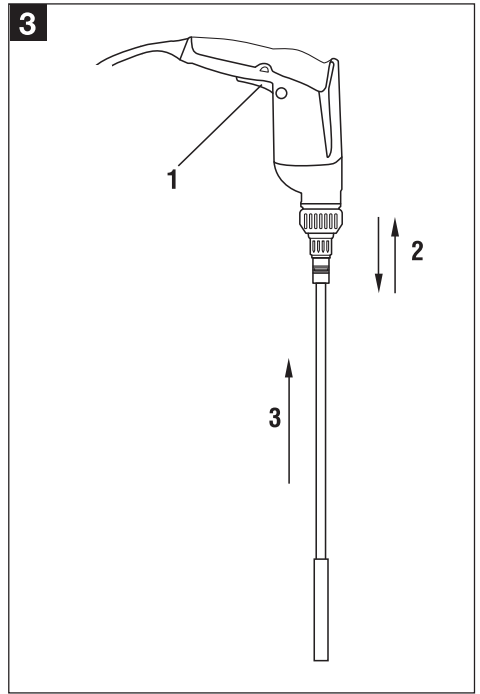
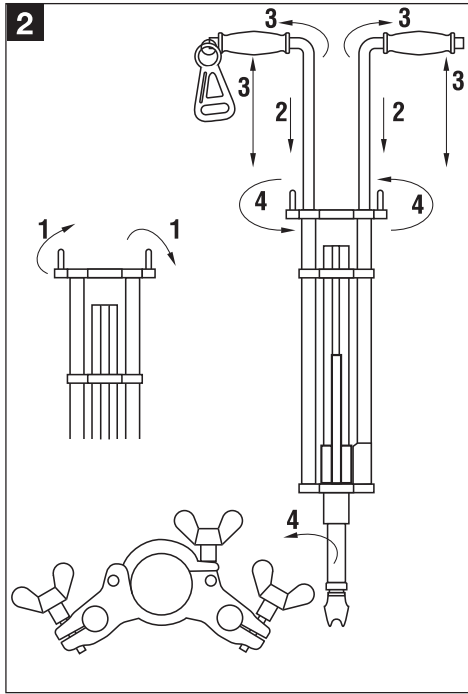
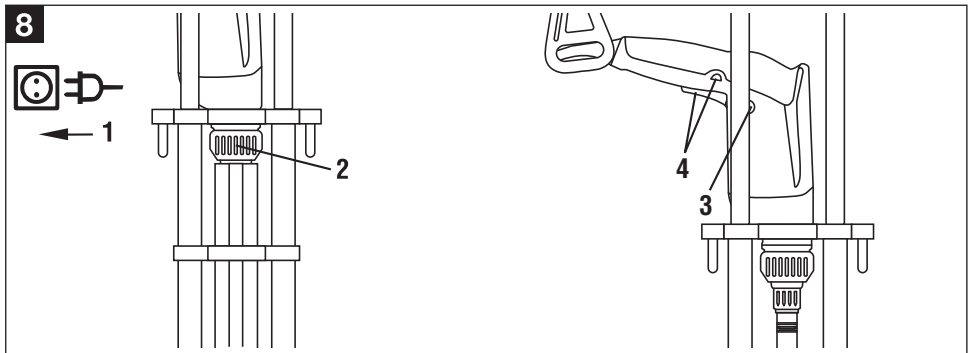
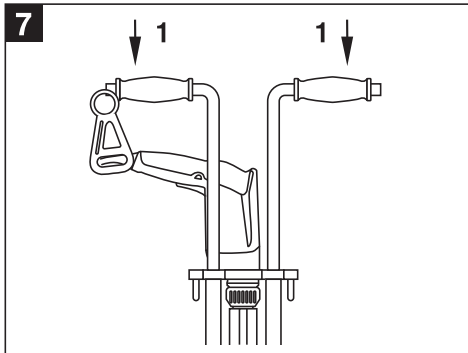


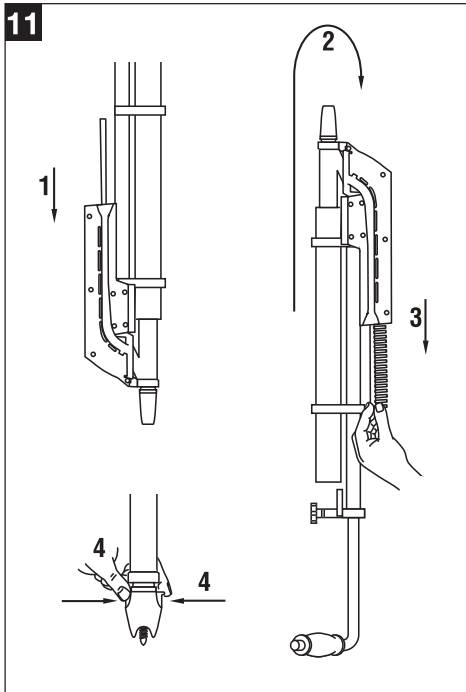
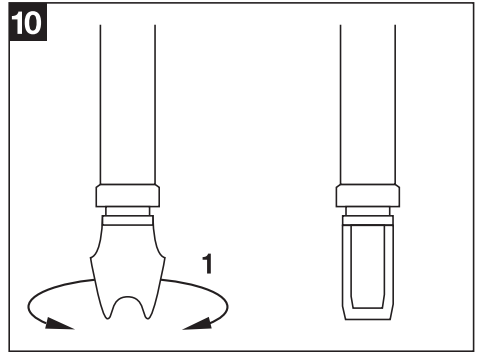
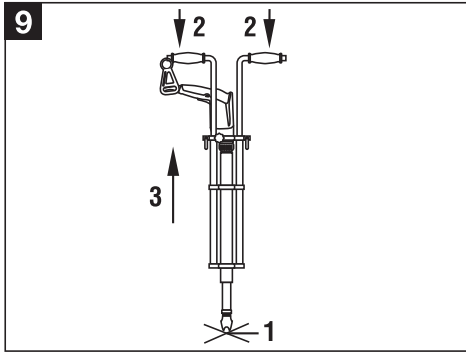
Bedienungsanleitung	de
Operating instructions	en
Mode d'emploi	fr
Istruzioni d'uso	it
Gebruiksaanwijzing	nl
Manual de instruções	pt
Manual de instrucciones	es
Brugsanvisning	da
Käyttöohje	fi
Bruksanvisning	no
Bruksanvisning	sv
Οδηγίες χρήσεως	el
Instrukcja obsługi	pl
Инструкция по эксплуатации	ru
Návod na obsluhu	sk
Návod k obsluze	cs











SDT 25-15 decking tool

It is essential that the operating instructions are read before the tool is operated for the first time.

Always keep these operating instructions together with the tool.

Ensure that the operating instructions are with the tool when it is given to other persons.

Operating controls and parts 1

- ① Grips
- ② ST 1800 or ST 1800-A
- ③ Clamping bar
- ④ Main module
- ⑤ Breach
- ⑥ Nosepiece
- ⑦ Jaws
- ⑧ Magazine
- ⑨ Wing nut
- ⑩ Supply cord strain relief clasp

Contents	Page
1. General information	7
2. Description	8
3. Tools and accessories	8
4. Technical data	8
5. Safety precautions	9
6. Before use	10
7. Operation	11
8. Care and maintenance	12
9. Disposal	12
10. Manufacturer's warranty – tools	12

1. General information

1.1 Signal words and their meaning

-CAUTION-

Used to draw attention to a potentially dangerous situation which could lead to minor personal injury or damage to the equipment or other property.

-NOTE-

Used to draw attention to an instruction or other useful information.

1.2 Pictograms

Warning signs



General warning



Warning: electricity

Obligation signs



Wear eye protection



Wear ear protection

Symbols



Read the operating instructions before use.

1 These numbers refer to the corresponding illustrations. The illustrations can be found on the fold-out cover pages. Keep these pages open while studying the operating instructions.

In these operating instructions, the SDT 25-15 decking tool is referred to as "the tool".

In addition to these operating instructions, the operating instructions for the electric screwdriver used with the decking tool must be observed.

Location of identification data on the tool

The type designation can be found on the rating plate and the serial number on the side of the motor housing. Make a note of this data in your operating instructions and always refer to it when making an enquiry to your Hilti representative or service department.

Type: _____

Serial no.: _____

2. Description

2.1 Use of the tool as directed

The decking tool is an accessory for the ST 1800 and ST 1800-A electric screwdrivers.

The unit (electric screwdriver and decking tool) is used to drive the recommended metal construction screws in sheet metal.

Decking tool for self-drilling screws with 15 mm metal washer (SDT 25-15).

The working environment may be a construction site of any kind where metal construction work is taking place. Use only the specified accessory items.

The general safety precautions listed in the operating instructions must be observed.

2.2 Main applications / torque settings for the ST 1800 / ST 1800-A screwdriver

SDT 25-15

Application	Screw drilling capacity	Screw type: Europe	Torque setting
Sheet metal / sheet metal	3 mm	S-MD 22 Z 6.3×22 M	5–10
Sheet metal / beam	6 mm	S-MD 23 Z 5.5×22 M	10–10
Sheet metal / sheet metal	6 mm	S-MS 23 Z 6.3×22 M	10–12

2.3 Items supplied

- SDT 25-15 decking tool
- Bit holder

- Nut set driver for hex. screws
- Operating instructions
- Packed in a cardboard box

3. Insert tools and accessories

	SDT 25-15
Bit holder	S-BH 435 DT
Nut set drivers	S-NSD 10 DT
Magazine	Magazine 15
Bag for collated screws	

4. Technical data

Tool	SDT 25-15
Weight of tool without screwdriver and screws	4.0 kg
ST 1800 / ST 1800-A screwdriver chuck type	1/4" hex. socket
Bit holder / nut set driver connection end	1/4" hexagon
Torque settings	on the ST 1800 (1–22 Nm)
Height adjustment	from 76 cm to 118 cm
Forward / reverse rotation setting	on the ST 1800 or ST 1800-A
Screw capacity	max. 50 screws (2 strips of 25)

Right of technical changes reserved!

5. Safety precautions

5.1 Basic information concerning safety

In addition to the information relevant to safety given in each of the sections of these operating instructions, the following points must be strictly observed at all times. When used with an electric tool, the safety precautions listed in the operating instructions for the corresponding electric tool must be observed.

5.2 Take the necessary precautions to make the workplace safe



- Ensure that the workplace is well lit.
- Ensure that the workplace is well ventilated.
- Keep the workplace tidy. Objects which could cause injury should be removed from the working area. Untidiness at the workplace can lead to accidents.
- Use clamps or a vice to secure the workpiece. The workpiece is thus held more securely than by hand and both hands remain free to operate the tool.
- Wear eye protection.
- Wear suitable working clothing. Do not wear loose clothing, loose long hair or jewelry as these can become caught up in moving parts. Wear suitable headgear if you have long hair.
- It is recommended that rubber gloves and shoes or boots with non-slip soles are worn when working outdoors.
- When working, keep other persons, particularly children, outside the range of the tool. Do not permit other persons to touch the tool. Keep other persons away from the area in which you are working.
- Avoid unfavorable body positions when working. Work from a secure stance and always stay in balance.
- To avoid tripping and falling when working, always lead the supply cord, extension cord and extraction hose away to the rear.
- Concealed electric cables or gas and water pipes present a serious hazard if damaged while you are working. Accordingly, check the area in which you are working beforehand (e.g. using a metal detector). Avoid contact between your body and earthed / grounded objects, such as pipes or radiators. External metal parts of the tool may become live, for example, when an electric cable is drilled into inadvertently.

5.3 General safety precautions



- Use the right electric tool for the job. Do not use the tool for purposes for which it was not intended. Use

the tool only as directed and when it is in faultless condition.

- Avoid contact with rotating parts.
- Use only the original accessories or ancillary equipment listed in the operating instructions. Use of other insert tools or accessories may present a risk of personal injury.
- Take the influences of the surrounding area into account. Do not expose the tool to rain or snow and do not use it in damp or wet conditions. Do not use the tool where there is a risk of fire or explosion.
- Keep the grips dry, clean and free from oil and grease.
- Always hold the tool with both hands on the grips provided.
- Operate the tool only as directed and only when it is in faultless condition.
- When not in use, the tool must be stored in a dry place, locked up or out of reach of children.
- Take care of your insert tools. You will be able to work more efficiently and more safely if the insert tools are kept sharp and clean. Observe instructions on care and maintenance and on changing insert tools.
- Check that moving parts function faultlessly and that they are not sticking or damaged. All parts must be correctly fitted and fulfil all requirements in order to ensure that the tool operates faultlessly.
- Check the electric tool for possible damage. Protective devices and any parts that may have suffered slight damage should be checked for correct operation and functionality before further use of the electric tool. Damaged safety devices or other damaged parts should be replaced or repaired properly by an authorized repair workshop unless otherwise indicated in the operating instructions.
- Ensure that all parts of the tool are secured before transport. Check that all locking mechanisms are tightened.

5.3.1 Mechanical hazards



- The tool may jump back if released suddenly when under tension (pressed down), presenting a risk of injury (especially bruising). Release the tool in a controlled manner.
- Take care when the nosepiece is under tension and the tool is turned upside down. Keep well away from the tool nosepiece. The nosepiece may jump back suddenly, presenting a considerable risk of injury.
- Follow the instructions concerning care and maintenance.
- Check that the insert tools used are compatible with the chuck system and that they are secured in the chuck or gear housing correctly.

en

5.4 Requirements to be met by users

- The tool is intended for professional use.
- The tool may be operated, serviced and repaired only by authorized, trained personnel. This personnel must be informed of any special hazards that may be encountered.
- Always concentrate on the job you are doing. Proceed carefully and do not use the tool if your full attention is not on the job.

5.5 Personal protective equipment

- The operator and other persons in the immediate vicinity must always wear eye protection and ear protection while the tool is in use.



Wear eye protection



Wear ear protection

6. Before use



6.1 Assembling the tool and electric screwdriver

6.1.1 Fitting the grips 2

1. Release the two wing nuts on the main module.
2. Push the two grips into the lower tubular sections (the grip with the supply cord strain relief clasp on the right-hand side).
3. Adjust the height and angle of the grips. In order to ensure that the grips can be clamped securely in position, the grips should not be extended beyond a length of 118 cm.
4. Secure the grips with the wing nuts.

6.1.2 Preparing the electric screwdriver for use 3

1. Set the ST 1800 or ST 1800-A to forward rotation (- **NOTE**- Screws cannot be driven when the tool is set to the wrong direction of rotation).
2. Remove the depth gauge from the ST 1800 or ST 1800-A.
3. Fit the bit holder and nut set driver to the ST 1800 or ST 1800-A.

6.1.3 Mounting the electric screwdriver on the tool 4

1. Release the wing nuts on the clamping bar on the main module.
2. Swing the clamping bar into the open position.
3. Guide the front end of the ST 1800 or ST 1800-A into the barrel of the main module. The grip must point to the right so that the supply cord is directed toward the strain relief clasp.
4. Close the clamping bar.
5. Secure the ST 1800 or ST 1800-A with the wing nuts.
6. Pass the supply cord through the strain relief clasp on the grip on the right (feed a loop through from below and then pass it over the clip).

6.1.4 Fitting the magazine 5


1. Bring the magazine into position at the breach from behind and then engage it with the upper and lower tubular sections.

7. Operation



-NOTE-

Secure the workpiece. Use clamps or a vice to hold the workpiece securely in position. It is then held more safely and both hands remain free for holding and operating the tool.

	<p style="text-align: center;">-CAUTION-</p> <ul style="list-style-type: none">• The screwdriving procedure may cause the material to splinter.• Splintering material may injure the eyes.• Wear eye protection.
--	---

7.1 Loading screws into the tool **6**

1. Insert the magazine strip into the magazine from above.
2. Push the magazine strip firmly into the magazine until all screws have fallen into the magazine. (Two magazine strips of delete 25 screws can be inserted. The second strip must remain in the tool.)
3. Remove the empty magazine strip from the tool.

7.2 Initial loading operation **7**

1. Press the tool down fully (a screw will become visible at the nosepiece).

7.3 Switching on the electric screwdriver **8**

1. Plug the supply cord into the electric socket (ST1800).
2. Set the required torque on the ST 1800 or ST 1800-A. (See section 2.2 - Applications / torque settings). The torque settings listed are intended as a guideline. The exact setting should be determined by making test fastenings.
3. Set the ST 1800 or ST 1800-A to forward rotation (-**NOTE-** Screws cannot be driven when the tool is set to the wrong direction of rotation).
4. Switch on the ST 1800 or ST 1800-A in sustained operating mode.

7.4 Driving screws **9**

1. Bring the tool nosepiece to the position where the screw is to be driven.
2. Drive the screw by pressing the tool down fully. (The tool must be pressed down fully again each time a screw is to be driven).
3. The tool returns to its outset position under spring pressure. Always hold the tool securely with both hands on the grips in order to ensure safe operation.

7.5 Driving screws in positions where access is restricted **10**

1. The tool nosepiece can be rotated through 90° in order to permit screws to be driven in positions where access is difficult (tight corners etc.).

7.6 Removing screws from the magazine **11**

1. Push the empty magazine strip back into the tool.
2. Turn the tool upside down (nosepiece pointing upwards). The screws then slide back into the magazine strip (it may be necessary to shake the tool).
3. Pull the magazine strip out of the tool.
4. Remove the last screws from the nosepiece by opening the jaws.

7.7 Disassembling and assembling the nut set driver

Bit holder and nut set driver for hex. head screws.

7.7.1 Disassembly

1. Use a pointed object to press in the pin in the hole in the nut set driver.
2. Pull the bit away from the bit holder.

7.7.2 Assembly

1. Press in the pin in the bit holder.
2. Push the nut set driver onto the bit holder and check that it engages (the hole must be in alignment with the pin in the bit holder).

en

8. Care and maintenance

Unplug the supply cord from the electric socket (ST 1800). Remove the ST 1800 or ST 1800-A electric screwdriver, bit holder and bit from the decking tool.

8.1 Care of screwdriving bits

Remove any dirt adhering to the screwdriving bits and drive spindle and rub these parts with an oily cloth at regular intervals to protect them from corrosion.

8.2 Care of the tool

The tool can be washed under running water if it has become very dirty. The tool must then be dried and rubbed with an oily cloth to prevent corrosion. Always keep the grip sections of the tool free from oil and grease. Do not use cleaning agents or lubricants containing silicone.

8.3 Maintenance

Check all external parts of the tool for damage at regular intervals and check that all controls operate faultlessly. Do not operate the tool if parts are damaged or when the controls do not function faultlessly. If necessary, your electric tool should be repaired at a Hilti repair center. Repairs to the electrical section of the tool may be carried out only by trained electrical specialists

8.4 Checks after care and maintenance

Check that the tool functions correctly (drive and remove a screw) after carrying out care and maintenance.

9. Disposal

Most of the materials from which Hilti electric tools are manufactured can be recycled. The materials must be correctly separated before they can be recycled. In many countries, Hilti has already made arrangements for taking back your old electric tools for recycling. Please ask your Hilti customer service department or Hilti representative for further information. Should you wish to return the electric tool yourself to a disposal facility for recycling, proceed as follows: Dismantle the electric tool as far as possible without the need for special tools.

The individual parts should be separated as follows:

Part / assembly	Main material	Recycling
Grips	Plastic	Plastics recycling
Magazine	Plastic	Plastics recycling
Main module	Steel, aluminium and plastic	Scrap metal / plastics recycling
Screws, small parts	Steel	Scrap metal

10. Manufacturer's warranty – tools

Please contact your local Hilti representative if you have questions about the warranty conditions.



Hilti Corporation

LI-9494 Schaan

Tel.: +423 / 234 21 11

Fax: +423 / 234 29 65

www.hilti.com

Hilti = registered trademark of Hilti Corp., Schaan
Pos. 1 | 20151116



304447