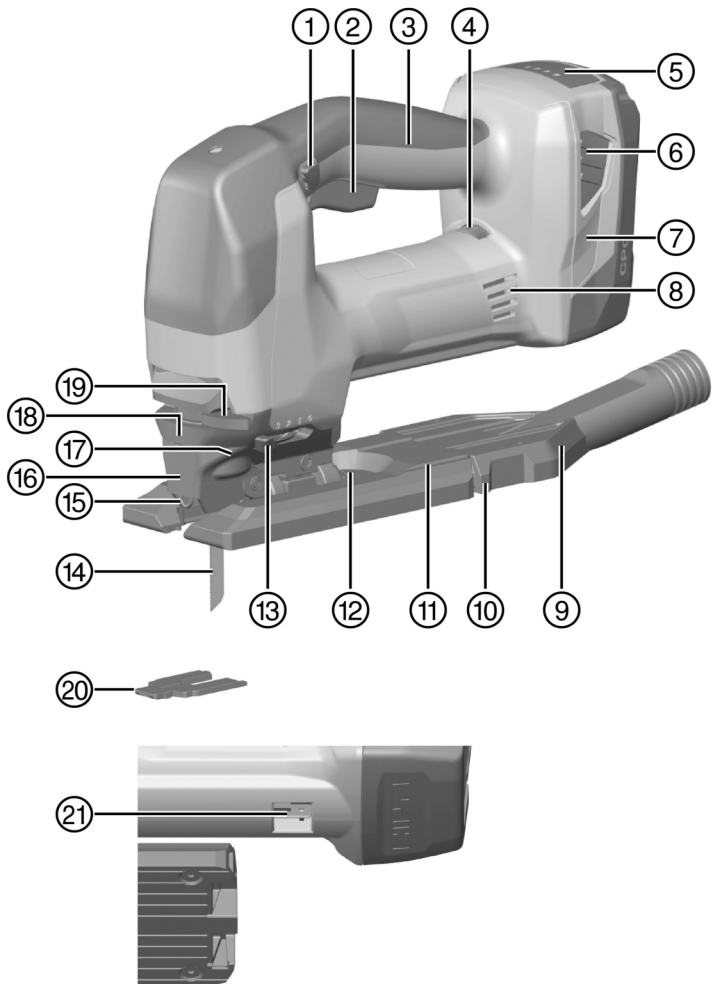


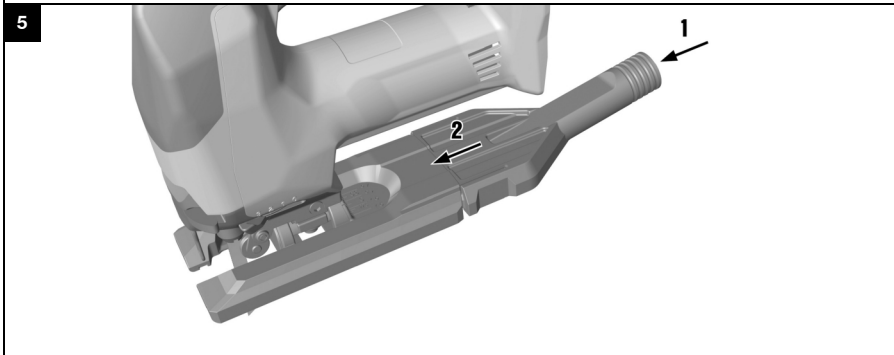
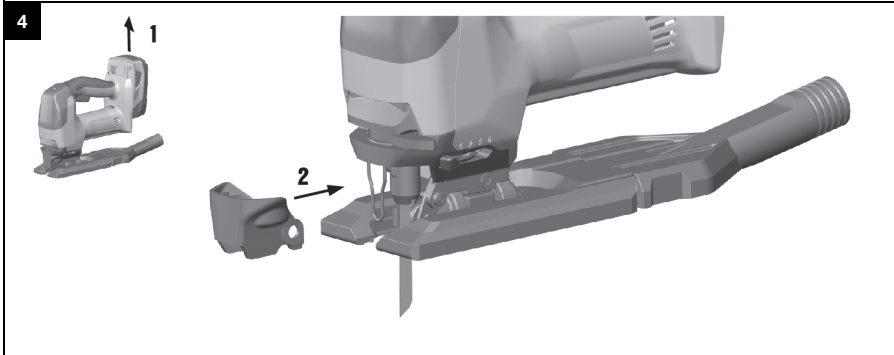
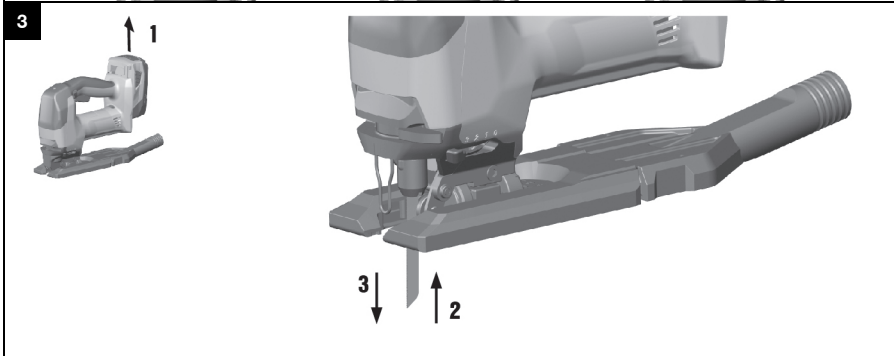
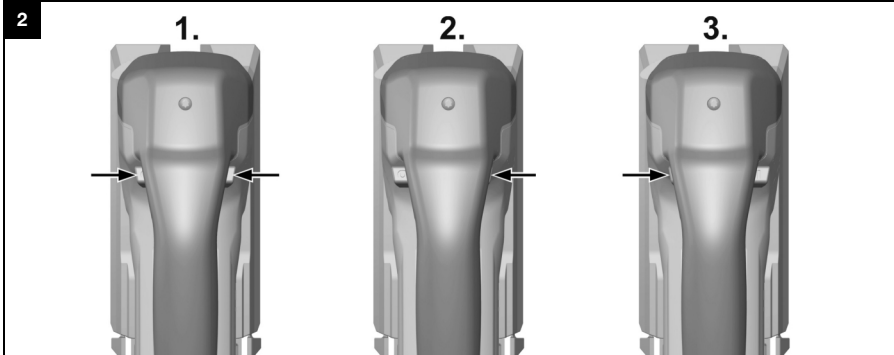


SJD 6-A22

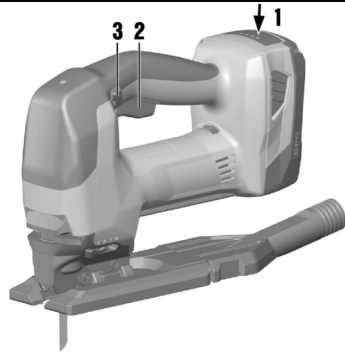
English  
עברית

1  
14

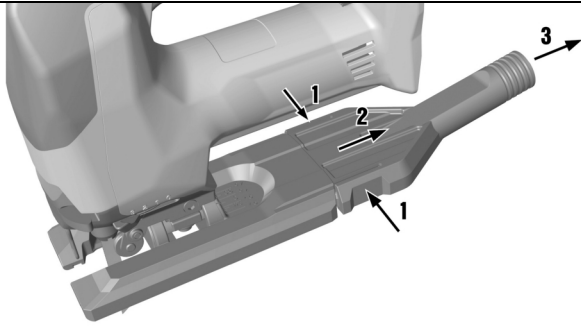




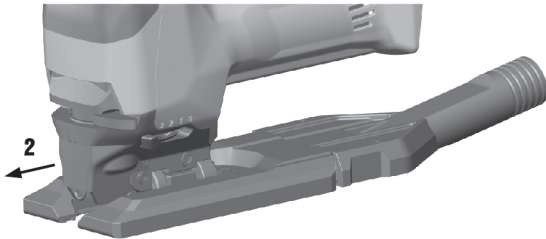
6



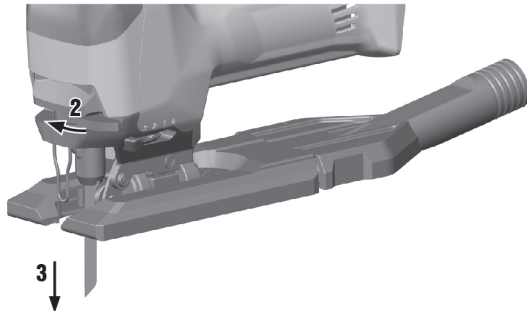
7



8



9



# SJD 6-A22

en	Original operating instructions .....	1
he	הוראות הפעלה מקוריות .....	14



# Original operating instructions

## 1 Information about the operating instructions

### 1.1 About these operating instructions

- Read these operating instructions before the product is used or operated for the first time. This is a prerequisite for safe, trouble-free handling and use of the product.
- Observe the safety instructions and warnings in these operating instructions and on the product.
- Always keep the operating instructions with the product and make sure that the product is accompanied by these operating instructions only, when the product is given to other persons.

### 1.2 Explanation of symbols used

#### 1.2.1 Warnings

Warnings alert persons to hazards that occur when handling or using the product. The following signal words are used:

#### **DANGER**

##### **DANGER !**

- ▶ Draws attention to imminent danger that will lead to serious personal injury or fatality.

#### **WARNING**

##### **WARNING !**

- ▶ Draws attention to a potential threat of danger that can lead to serious injury or fatality.





#### **CAUTION**

##### **CAUTION !**

- ▶ Draws attention to a potentially dangerous situation that could lead to personal injury or damage to the equipment or other property.




#### 1.2.2 Symbols in the documentation

The following symbols are used in this document:

	Read the operating instructions before use.
	Instructions for use and other useful information
	Dealing with recyclable materials
	Do not dispose of electric equipment and batteries as household waste

#### 1.2.3 Symbols in the illustrations

The following symbols are used in illustrations:

	These numbers refer to the corresponding illustrations found at the beginning of these operating instructions
3	The numbering reflects the sequence of operations shown in the illustrations and may deviate from the steps described in the text
	Item reference numbers are used in the <b>overview illustrations</b> and refer to the numbers used in the <b>product overview section</b>
	This symbol is intended to draw special attention to certain points when handling the product.



### 1.3 Product-dependent symbols

#### 1.3.1 Symbols on the product

The following symbols can be used on the product:

	Stroke rate under no load
	Direct current (DC)
	The product supports wireless data transmission compatible with iOS and Android platforms.
	Li-ion battery
	<b>Hilti Li-ion battery type series used. Observe the information given in the section headed <b>Intended use</b>.</b>
	Never use the battery as a striking tool.
	Do not drop the battery. Never use a battery that has suffered an impact or is damaged in any other way.

### 1.4 Product information

products are designed for professional users and only trained, authorized personnel are permitted to operate, service and maintain the products. This personnel must be specifically informed about the possible hazards. The product described and its ancillary equipment can present hazards if used incorrectly by untrained personnel or if used not in accordance with the intended use.

The type designation and serial number are printed on the type identification plate.

- ▶ Write down the serial number in the table below. Always quote this information when you contact a Hilti representative or Hilti Service to inquire about the product.

#### Product information

Orbital-action jig saw	SJD 6-A22
Generation	01
Serial no.	

### 1.5 Declaration of conformity

We declare, on our sole responsibility, that the product described here complies with the applicable directives and standards. A copy of the declaration of conformity can be found at the end of this documentation.

The technical documentation is filed here:

**Hilti** Entwicklungsgesellschaft mbH | Tool Certification | Hiltistrasse 6 | 86916 Kaufering, Germany

## 2 Safety

### 2.1 General power tool safety warnings

**WARNING Read all safety warnings, instructions, illustrations and specifications provided with this power tool.** Failure to follow all instructions listed below may result in electric shock, fire and/or serious injury. **Save all warnings and instructions for future reference.**

The term "power tool" in the warnings refers to your mains-operated (corded) power tool or battery-operated (cordless) power tool.

#### Work area safety

- ▶ **Keep work area clean and well lit.** Cluttered or dark areas invite accidents.
- ▶ **Do not operate power tools in explosive atmospheres, such as in the presence of flammable liquids, gases or dust.** Power tools create sparks which may ignite the dust or fumes.
- ▶ **Keep children and bystanders away while operating a power tool.** Distractions can cause you to lose control.





### Electrical safety

- ▶ **Power tool plugs must match the outlet. Never modify the plug in any way. Do not use any adapter plugs with earthed (grounded) power tools.** Unmodified plugs and matching outlets will reduce risk of electric shock.
- ▶ **Avoid body contact with earthed or grounded surfaces, such as pipes, radiators, ranges and refrigerators.** There is an increased risk of electric shock if your body is earthed or grounded.
- ▶ **Do not expose power tools to rain or wet conditions.** Water entering a power tool will increase the risk of electric shock.
- ▶ **Do not abuse the cord. Never use the cord for carrying, pulling or unplugging the power tool. Keep cord away from heat, oil, sharp edges or moving parts.** Damaged or entangled cords increase the risk of electric shock.
- ▶ **When operating a power tool outdoors, use an extension cord suitable for outdoor use.** Use of a cord suitable for outdoor use reduces the risk of electric shock.
- ▶ **If operating a power tool in a damp location is unavoidable, use a residual current device (RCD) protected supply.** Use of an RCD reduces the risk of electric shock.

### Personal safety

- ▶ **Stay alert, watch what you are doing and use common sense when operating a power tool. Do not use a power tool while you are tired or under the influence of drugs, alcohol or medication.** A moment of inattention while operating power tools may result in serious personal injury.
- ▶ **Use personal protective equipment. Always wear eye protection.** Protective equipment such as a dust mask, non-skid safety shoes, hard hat or hearing protection used for appropriate conditions will reduce personal injuries.
- ▶ **Prevent unintentional starting. Ensure the switch is in the off-position before connecting to power source and/or battery pack, picking up or carrying the tool.** Carrying power tools with your finger on the switch or energising power tools that have the switch on invites accidents.
- ▶ **Remove any adjusting key or wrench before turning the power tool on.** A wrench or a key left attached to a rotating part of the power tool may result in personal injury.
- ▶ **Do not overreach. Keep proper footing and balance at all times.** This enables better control of the power tool in unexpected situations.
- ▶ **Dress properly. Do not wear loose clothing or jewellery. Keep your hair and clothing away from moving parts.** Loose clothes, jewellery or long hair can be caught in moving parts.
- ▶ **If devices are provided for the connection of dust extraction and collection facilities, ensure these are connected and properly used.** Use of dust collection can reduce dust-related hazards.
- ▶ **Do not let familiarity gained from frequent use of tools allow you to become complacent and ignore tool safety principles.** A careless action can cause severe injury within a fraction of a second.

### Power tool use and care

- ▶ **Do not force the power tool. Use the correct power tool for your application.** The correct power tool will do the job better and safer at the rate for which it was designed.
- ▶ **Do not use the power tool if the switch does not turn it on and off.** Any power tool that cannot be controlled with the switch is dangerous and must be repaired.
- ▶ **Disconnect the plug from the power source and/or remove the battery pack, if detachable, from the power tool before making any adjustments, changing accessories, or storing power tools.** Such preventive safety measures reduce the risk of starting the power tool accidentally.
- ▶ **Store idle power tools out of the reach of children and do not allow persons unfamiliar with the power tool or these instructions to operate the power tool.** Power tools are dangerous in the hands of untrained users.
- ▶ **Maintain power tools and accessories. Check for misalignment or binding of moving parts, breakage of parts and any other condition that may affect the power tool's operation. If damaged, have the power tool repaired before use.** Many accidents are caused by poorly maintained power tools.
- ▶ **Keep cutting tools sharp and clean.** Properly maintained cutting tools with sharp cutting edges are less likely to bind and are easier to control.
- ▶ **Use the power tool, accessories and tool bits etc. in accordance with these instructions, taking into account the working conditions and the work to be performed.** Use of the power tool for operations different from those intended could result in a hazardous situation.
- ▶ **Keep handles and grasping surfaces dry, clean and free from oil and grease.** Slippery handles and grasping surfaces do not allow for safe handling and control of the tool in unexpected situations.



**Battery tool use and care**

- ▶ **Recharge only with the charger specified by the manufacturer.** A charger that is suitable for one type of battery pack may create a risk of fire when used with another battery pack.
- ▶ **Use power tools only with specifically designated battery packs.** Use of any other battery packs may create a risk of injury and fire.
- ▶ **When battery pack is not in use, keep it away from other metal objects, like paper clips, coins, keys, nails, screws or other small metal objects, that can make a connection from one terminal to another.** Shorting the battery terminals together may cause burns or a fire.
- ▶ **Under abusive conditions, liquid may be ejected from the battery; avoid contact. If contact accidentally occurs, flush with water. If liquid contacts eyes, additionally seek medical help.** Liquid ejected from the battery may cause irritation or burns.
- ▶ **Do not use a battery pack or tool that is damaged or modified.** Damaged or modified batteries may exhibit unpredictable behaviour resulting in fire, explosion or risk of injury.
- ▶ **Do not expose a battery pack or tool to fire or excessive temperature.** Exposure to fire or temperature above 130° C (265 °F) may cause explosion.
- ▶ **Follow all charging instructions and do not charge the battery pack or tool outside the temperature range specified in the instructions.** Charging improperly or at temperatures outside the specified range may damage the battery and increase the risk of fire.

**Service**

- ▶ **Have your power tool serviced by a qualified repair person using only identical replacement parts.** This will ensure that the safety of the power tool is maintained.
- ▶ **Never service damaged battery packs.** Service of battery packs should only be performed by the manufacturer or authorized service providers.

**2.2 Safety instructions for reciprocating saws**

- ▶ **Hold the power tool by insulated gripping surfaces, when performing an operation where the cutting accessory may contact hidden wiring.** Cutting accessory contacting a "live" wire may make exposed metal parts of the power tool "live" and could give the operator an electric shock.
- ▶ **Use clamps or another practical way to secure and support the workpiece to a stable platform.** Holding the workpiece by hand or against your body leaves it unstable and may lead to loss of control.

**2.3 Additional safety instructions****Personal safety**

- ▶ Use the power tool only when it is in technically faultless condition.
- ▶ Never tamper with or modify the tool in any way.
- ▶ Keep the grips clean and dry.
- ▶ Suitable protective glasses, ear protection and protective gloves must be worn while the power tool is in use.
- ▶ Wear protective gloves when changing the accessory tool. Touching the accessory tool presents a risk of injury (cuts or burns).
- ▶ Wear eye protection. Flying fragments present a risk of injury to the body and eyes.
- ▶ Do not look directly into the light source (LEDs) incorporated in the power tool and do not direct the light at other persons' faces. This presents a risk of dazzling or eye damage.
- ▶ Before beginning the work, check the hazard classification of the dust that will be produced. Use an industrial vacuum cleaner with an officially approved protection classification in compliance with locally applicable dust protection regulations.
- ▶ Make sure that the workplace is well ventilated and, where necessary, wear a respirator appropriate for the type of dust generated. Contact with or inhalation of the dust may cause allergic reactions and/or respiratory or other diseases to the operator or bystanders. Certain kinds of dust are classified as carcinogenic such as oak and beech dust, especially in conjunction with additives for wood conditioning (chromate, wood preservative). Material containing asbestos may be handled only by specialists.
- ▶ Take breaks between working and do physical exercises to improve the blood circulation in your fingers. Exposure to vibration during long periods of work can lead to disorders of the blood vessels and nervous system in the fingers, hands and wrists.

**Electrical safety**

- ▶ Before beginning work, check the working area for concealed electric cables or gas and water pipes. External metal parts of the power tool may give you an electric shock if you damage an electric cable accidentally.



### Careful handling and use of electric tools

- ▶ Secure the workpiece. A workpiece clamped in a vice or secured by some other clamping device is more secure than when held only by hand.

### Special safety instructions for jig saws

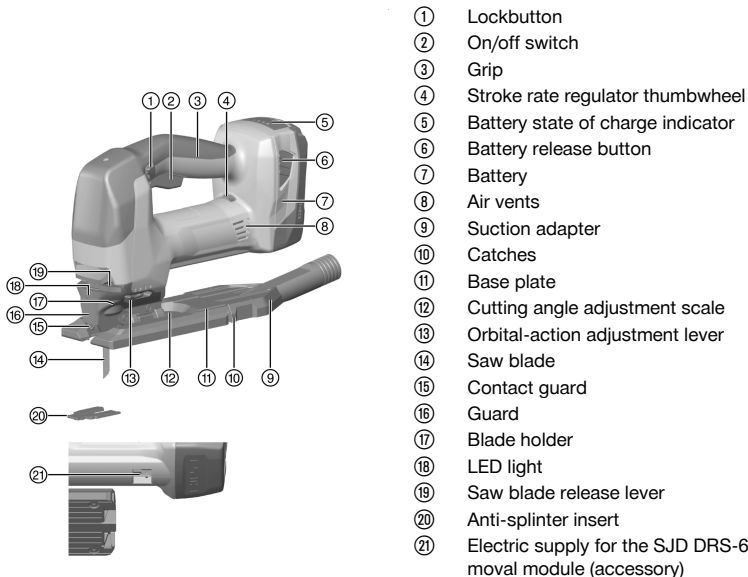
- ▶ Always guide the product away from your body when working with it.
- ▶ Never position your hands ahead of or on the saw blade.
- ▶ Never cut into unknown materials and keep the line of cut above and below the workpiece free of obstacles.
- ▶ Never reach or grip below the workpiece while cutting.

## 2.4 Careful handling and use of batteries

- ▶ Observe the special guidelines applicable to the transport, storage and use of lithium-ion batteries.
- ▶ Do not expose batteries to high temperatures, direct sunlight or fire.
- ▶ Do not disassemble, crush or incinerate batteries and do not subject them to temperatures over 80 °C (176 °F).
- ▶ Do not use or charge batteries that have suffered mechanical impact, have been dropped from a height or show signs of damage. In this case, always contact your **Hilti Service**.
- ▶ If the battery is too hot to touch it may be defective. Put the battery in a place where it is clearly visible and where there is no risk of fire, at an adequate distance from flammable materials. Allow the battery to cool down. If it is still too hot to touch after an hour, the battery is faulty. Contact **Hilti Service**.

## 3 Description

### 3.1 Product overview



### 3.2 Intended use

The product described is a hand-held cordless orbital-action jig saw. It is designed to be used for cutting plastic, wood and metal as well as drywall board and gypsum fiberboard.

The product is equipped with a removable connector for an optional vacuum cleaner / dust removal hose. This connector is designed to fit standard suction hoses. In order to connect the suction hose to the product, use of a suitable adapter may be necessary.



- ▶ Use only **Hilti** Li-ion batteries of the B 22 series with this product.
- ▶ Use only **Hilti** battery chargers of the C4/36 series to charge these batteries.
- ▶ Use this product only with saw blades equipped with a T-shank.


### 3.3 Possible misuse

- Use of the product to cut off tree branches or to cut the trunk of a tree is not permissible.
- Use of the product to cut hazardous materials is not permissible.
- Use of the product in a damp or wet environment is not permissible.
- ▶ Keep objects such as paper clips, coins, keys, nails, screws, or other small metal objects, which could cause a short circuit, away from the electric power supply for the dust removal module. A short circuit between the contacts may result in burning injuries or fire.

### 3.4 State of charge display

The charge state of the Li-ion battery is displayed after pressing one of the release buttons lightly (press only until slight resistance is felt).

Status	Meaning
4 LEDs light.	Charge state: 75 % to 100 %
3 LEDs light.	Charge state: 50 % to 75 %
2 LEDs light.	Charge state: 25 % to 50 %
1 LED lights.	Charge state: 10 % to 25 %
1 LED blinks.	Charge state: < 10 %

 Battery charge status cannot be displayed while the control switch is pressed and for up to 5 seconds after releasing the control switch. If the battery charge state LEDs blink, please refer to the information given in the Troubleshooting section.

### 3.5 Dust blower

The dust blower directs a jet of air toward the saw blade in order to keep the cutting line free of dust.

### 3.6 Stroke rate

The stroke rate can be adjusted by turning the thumbwheel. Position 1 corresponds to 800 strokes per minute and position 6 corresponds to 3000 strokes per minute.

Depending on how far the on/off switch is pressed, the stroke rate begins at 75 strokes per minute and increases to the stroke rate set by the thumbwheel.

### 3.7 4 orbital-action settings

The 4 orbital-action settings allow cutting performance and quality of cut to be adjusted to suit the material to be cut. The orbital-action adjustment lever is used to set the power tool to one of the 4 settings.

The lower the orbital-action setting, the finer and cleaner the cut edges will be. The optimum setting can be determined by carrying out practical tests.

Status	Meaning
Position 0	No orbital action
Position 1	Low orbital action
Position 2	Medium orbital action
Position 3	High orbital action

### 3.8 Lockbutton

The lockbutton has three positions.

- The middle position is the normal position: The lockbutton can be seen on the left and on the right. In this position, for example, the stroke rate can be adjusted.  
The on/off switch can be pressed and released.



- The lockbutton can be seen only on the left: Transport position (the tool cannot start)  
The on/off switch is locked and cannot be pressed.
- The lockbutton can be seen only on the right: After the tool has been switched on (on/off switch fully pressed), the lockbutton can be pushed to the right to lock the switch in the “on” position. To release the lock, press the on/off button again.

### 3.9 Anti-splinter insert

The product can be equipped with an anti-splinter insert.

The anti-splinter insert helps prevent splintering on the surface of wood materials when cutting.

### 3.10 Automatic switch-off

If the on/off switch is pressed continuously for longer than 15 minutes (e.g. during transport or storage), the tool switches itself off automatically. This prevents deep discharge of the battery.

### 3.11 SJD DRS-6A dust removal module (accessory)

The SJD DRS-6A dust removal module is an accessory for the **Hilti** SJD 6-A22 orbital-action jig saw.

It collects a high percentage of the dust generated and can be quickly and easily attached to the orbital-action jig saw. The dust removal module is equipped with a suction fan. This fan is driven by its own motor. When the orbital-action jig saw is switched on the dust removal module draws its electric power from the power tool's battery. The dust removal module is not suitable for working on materials containing asbestos, metal dust and glass- or carbon-fiber dust. Use of the dust removal module to pick up damp or explosive dust, chips or shavings is not permissible.

### 3.12 Items supplied

Orbital-action jig saw with saw blade, guard, dust removal adapter, anti-splinter insert, operating instructions, hex key.

You can find other system products approved for your product at your local **Hilti** Center or online at: [www.hilti.com](http://www.hilti.com)

## 4 Technical data

### 4.1 Orbital-action jig saw

	<b>SJD 6-A22</b>
<b>Rated voltage</b>	21.6 V
<b>Weight in accordance with EPTA Procedure 01 including B228.0 battery</b>	3.2 kg
<b>Stroke length</b>	28 mm
<b>Stroke rate under no load (n<sub>s</sub>)</b>	75 /min ... 3,000 /min
<b>Maximum cutting performance in wood</b>	150 mm
<b>Maximum cutting performance in aluminium</b>	25 mm
<b>Maximum cutting performance in unalloyed steel</b>	10 mm
<b>Cutting angle (left/right)</b>	0° ... 45°
<b>Suction adapter outside diameter</b>	27.5 mm
<b>Storage temperature</b>	-20 °C ... 70 °C
<b>Ambient temperature for operation</b>	-17 °C ... 60 °C
<b>Battery charging starting temperature</b>	-10 °C ... 45 °C
<b>Storage temperature</b>	-20 °C ... 40 °C
<b>Ambient temperature for operation</b>	-17 °C ... 60 °C

### 4.2 Noise information and vibration values in accordance with EN 62841

The sound pressure and vibration values given in these instructions were measured in accordance with a standardized test and can be used to compare one power tool with another. They can also be used for a preliminary assessment of exposure.



The data given represent the main applications of the power tool. However, if the power tool is used for different applications, with different accessory tools, or is poorly maintained, the data can vary. This can significantly increase exposure over the total working period.

An accurate estimation of exposure should also take into account the times when the tool is switched off, or when it is running but not actually being used for a job. This can significantly reduce exposure over the total working period.

Identify additional safety measures to protect the operator from the effects of noise and/or vibration, for example: maintaining the power tool and accessory tools, keeping the hands warm, organization of work patterns.

#### Noise emission values

	SJD 6-A22
Sound power level ( $L_{WA}$ )	98 dB(A)
Uncertainty for the sound power level ( $K_{WA}$ )	5 dB(A)
Sound pressure level ( $L_{pA}$ )	87 dB(A)
Uncertainty for the sound pressure level ( $K_{pA}$ )	5 dB(A)

#### Total vibration

	SJD 6-A22
Vibration emission value for sawing wood sheets ( $a_{h,B}$ )	5.8 m/s <sup>2</sup>
Uncertainty sawing chipboard (K)	1.5 m/s <sup>2</sup>
Vibration emission value for sawing sheet metal ( $a_{h,M}$ )	5.6 m/s <sup>2</sup>
Uncertainty sawing sheet metal (K)	1.5 m/s <sup>2</sup>

## 5 Battery

Battery operating voltage	21.6 V
Ambient temperature for operation	-17 °C ... 60 °C
Storage temperature	-20 °C ... 40 °C
Battery charging starting temperature	-10 °C ... 45 °C

## 6 Preparations at the workplace

### WARNING

#### Risk of injury by inadvertent starting!

- ▶ Before inserting the battery, make sure that the product is switched off.
- ▶ Remove the battery before making any adjustments to the power tool or before changing accessories.

Observe the safety instructions and warnings in this documentation and on the product.

### 6.1 Charging the battery

1. Before charging the battery, read the operating instructions for the charger.
2. Make sure that the contacts on the battery and the contacts on the charger are clean and dry.
3. Use an approved charger to charge the battery. → page 5

### 6.2 Inserting the battery

### WARNING

#### Risk of injury by short circuit or falling battery!

- ▶ Before inserting the battery, make sure that the contacts on the battery and the contacts on the product are free of foreign matter.
- ▶ Make sure that the battery always engages correctly.

1. Charge the battery fully before using it for the first time.
2. Push the battery into the product until it engages with an audible click.
3. Check that the battery is seated securely.



### 6.3 Removing the battery

1. Press the battery release buttons.
2. Remove the battery from the tool.

### 6.4 Fitting the saw blade

1. Remove the battery.
2. Push the saw blade (teeth facing the cutting direction) into the blade holder until it engages.
3. Grip and pull the saw blade to check that it is held securely.

### 6.5 Fitting the guard

1. Remove the battery.
2. Push the guard onto the power tool from the front until it clicks into place.



The guard can be fitted only when the base plate is in the normal position (zero degrees position).

### 6.6 Fitting the dust removal adapter

1. Push the dust removal adapter on to the base plate horizontally from the rear until both catches engage at the side.
2. Connect the vacuum cleaner hose to the dust removal adapter.

## 7 Operation

Observe the safety instructions and warnings in this documentation and on the product.

### 7.1 Using a dust extractor



The dust extractor reduces dust emissions, increases working safety by providing better visibility of the cutting line and reduces exposure to dust and wood chips at the workplace.

1. Fit the guard. → page 9
2. Always use a dust extractor when working over a lengthy period with wood or materials that can cause high dust concentrations.

### 7.2 Switching on

1. Insert the battery.



A safety interlock ensures that the tool doesn't start when the tool is first switched on and the battery then fitted, i.e. slid into place on the tool.

2. Check that the lockbutton is in the middle position.
3. Press the on/off switch.
4. To lock the switch in the "on" position, then push the lockbutton to the right.
5. To release the lockbutton, press the on/off switch again.
  - ▶ The lockbutton then returns to the middle position.

### 7.3 Plunge cutting

1. Set the orbital-action adjusting lever to position 0.
2. Bring the front edge of the base plate into contact with the workpiece.
3. Hold the product securely and press the on/off switch.
4. Press the product firmly against the workpiece and begin the plunge cut by slowly reducing the angle of attack.
5. Once the blade has penetrated right through the workpiece, bring the product into its normal working position.
  - ▶ The base plate then lies flat on the working surface.
6. Continue to saw along the cutting line.



## 7.4 Switching off

- ▶ Release the on/off switch.



To lock the switch in the "off" position, push the lockbutton to the left.

## 8 Removal

### 8.1 Removing the suction adapter

1. Press the two retaining catches inwards.
2. Pull the suction adapter away from the base plate toward the rear.
3. Pull the vacuum cleaner hose off the suction adapter.

### 8.2 Removing the guard

1. Remove the battery.
2. Tilt the guard slightly and pull it off toward the front.

### 8.3 Ejecting the saw blade



#### WARNING

**Risk of injury.** Uncontrolled ejection of the saw blade can lead to injury.

- ▶ When ejecting the saw blade, hold the product in such a way that it presents no risk of injury to persons or animals.
1. Remove the battery.
  2. Push the saw blade release lever to the side, as far as it will go.
    - ▶ The saw blade will be released and ejected.

## 9 Care and maintenance



#### WARNING

**Risk of injury with battery inserted !**

- ▶ Always remove the battery before carrying out care and maintenance tasks!

#### Care of the product

- Carefully remove stubborn dirt.
- Carefully clean the air vents, if present, with a dry, soft brush.
- Use only a slightly damp cloth to clean the housing. Do not use cleaning agents containing silicone as these can attack the plastic parts.
- Use a dry, clean cloth to clean the contacts of the product.

#### Care of the Li-ion batteries

- Never use a battery with clogged air vents. Clean the air vents carefully using a dry, soft brush.
- Avoid unnecessary exposure of the battery to dust and dirt. Never expose the battery to high levels of moisture (e.g. by being dipped in water or left in the rain).  
If a battery has been soaked by moisture, treat it as a damaged battery. Isolate it in a non-flammable container and consult **Hilti Service**.
- Keep the battery free of extraneous oil and grease. Do not permit dust or dirt to accumulate unnecessarily on the battery. Clean the battery with a dry, soft brush or a clean, dry cloth. Do not use cleaning agents containing silicone as these can attack the plastic parts.  
Do not touch the contacts of the battery and do not remove the factory-applied grease from the contacts.
- Use only a slightly damp cloth to clean the housing. Do not use cleaning agents containing silicone as these can attack the plastic parts.

#### Maintenance

- Check all visible parts and controls for signs of damage at regular intervals and make sure that they all function correctly.





- Do not use the product if signs of damage are found or if parts malfunction. Immediately have the product repaired by **Hilti Service**.
- After cleaning and maintenance, install all guards and protective devices and check that they are in full working order.



To help ensure safe and reliable operation, use only genuine Hilti spare parts and consumables. Spare parts, consumables and accessories approved by **Hilti** for use with your product can be found at your **Hilti Store** or online at: [www.hilti.group](http://www.hilti.group)

### 9.1 Cleaning the suction adapter

1. Remove the battery.
2. Remove the suction adapter. → page 10
3. Clean the suction adapter.
4. Check that the catches are undamaged.
5. Fit the dust removal adapter. → page 9

### 9.2 Cleaning the saw blade

1. Clean resin deposits from used saw blades at regular intervals.
2. Place the saw blades in a bath of kerosene (paraffin oil) or commercially-available resin remover for 24 hours.

## 10 Transport and storage of cordless tools and batteries

### Transport



#### Accidental starting during transport !

- ▶ Always transport your products with the batteries removed!
- ▶ Remove the battery/batteries.
- ▶ Never transport batteries loose and unprotected. During transport, batteries should be protected from excessive shock and vibration and isolated from any conductive materials or other batteries that may come in contact with the terminals and cause a short circuit. **Comply with the locally applicable regulations for transporting batteries.**
- ▶ Do not send batteries through the mail. Consult your shipper for instructions on how to ship undamaged batteries.
- ▶ Prior to each use and before and after prolonged transport, check the product and the batteries for damage.

### Storage



#### Accidental damage caused by defective or leaking batteries !

- ▶ Always store your products with the batteries removed!
- ▶ Store the product and the batteries in a cool and dry place. Comply with the temperature limits stated in the technical data.
- ▶ Do not store batteries on the charger. Always remove the battery from the charger when the charging operation has completed.
- ▶ Never leave batteries in direct sunlight, on sources of heat, or behind glass.
- ▶ Store the product and batteries where they cannot be accessed by children or unauthorized persons.
- ▶ Prior to each use and before and after prolonged storage, check the product and the batteries for damage.

## 11 Troubleshooting

If the trouble you are experiencing is not listed in this table or you are unable to remedy the problem by yourself, please contact **Hilti Service**.



Trouble or fault	Possible cause	Action to be taken
The saw blade drops out.	The saw blade is not correctly engaged.	<ul style="list-style-type: none"> <li>▶ Repeat the insertion procedure.</li> <li>▶ Make sure that the blade holder is fully open and that the saw blade is pushed all the way in against the spring resistance.</li> </ul>
	The clamping system is clogged with foreign matter.	<ul style="list-style-type: none"> <li>▶ Clean out the blade holder.</li> </ul>
The saw blade cannot be inserted.	The clamping system is clogged with foreign matter.	<ul style="list-style-type: none"> <li>▶ Clean out the blade holder.</li> </ul>
The orbital action cannot be adjusted.	Foreign matter in the orbital-action adjusting lever groove.	<ul style="list-style-type: none"> <li>▶ Clean out the orbital-action adjusting lever groove.</li> </ul>
The orbital action doesn't work.	The orbital-action mechanism is clogged with foreign matter.	<ul style="list-style-type: none"> <li>▶ Check whether foreign matter is present in the area of the orbital-action fork and clean it out.</li> </ul>
	The orbital-action adjusting lever is in position "0".	<ul style="list-style-type: none"> <li>▶ Adjust it to the desired setting.</li> </ul>
The battery runs down more quickly than usual.	Very low ambient temperature.	<ul style="list-style-type: none"> <li>▶ Allow the battery to warm up slowly to room temperature.</li> </ul>
The battery doesn't engage with an audible click.	The retaining lugs on the battery are dirty.	<ul style="list-style-type: none"> <li>▶ Clean the retaining lugs and refit the battery.</li> </ul>
1 LED blinks. The power tool does not work.	Battery is discharged.	<ul style="list-style-type: none"> <li>▶ Change the battery and charge the empty battery.</li> </ul>
	The battery is too hot or too cold.	<ul style="list-style-type: none"> <li>▶ Allow the battery to cool down or warm up slowly to room temperature.</li> </ul>
All 4 LEDs blink. The power tool does not work.	The tool has been overloaded.	<ul style="list-style-type: none"> <li>▶ Release the on/off switch and then press it again. Then allow the power tool to run under no load for approx. 30 seconds.</li> </ul>
The power tool or battery gets very hot.	Electrical fault.	<ul style="list-style-type: none"> <li>▶ Switch the power tool off immediately, remove the battery, keep it under observation, allow it to cool down and contact <b>Hilti Service</b>.</li> </ul>

## 12 Disposal

### WARNING

**Risk of injury due to incorrect disposal!** Health hazards due to escaping gases or liquids.

- ▶ DO NOT send batteries through the mail!
- ▶ Cover the terminals with a non-conductive material (such as electrical tape) to prevent short circuiting.
- ▶ Dispose of your battery out of the reach of children.
- ▶ Dispose of the battery at your **Hilti Store**, or consult your local governmental garbage disposal or public health and safety resources for disposal instructions.

Most of the materials from which **Hilti** products are manufactured can be recycled. The materials must be correctly separated before they can be recycled. In many countries, your old tools, machines or appliances can be returned to **Hilti** for recycling. Ask **Hilti Service** or your Hilti sales representative for further information.



- ▶ Do not dispose of power tools, electronic equipment or batteries as household waste!

## 13 RoHS (Restriction of Hazardous Substances)

Click on the links to go to the table of hazardous substances: [qr.hilti.com/r5212958](http://qr.hilti.com/r5212958)



There is a link to the RoHS table, in the form of a QR code, at the end of this document.

## 14 Manufacturer's warranty

---

- ▶ Please contact your local **Hilti** representative if you have questions about the warranty conditions.



**1 מידע על הוראות ההפעלה**

**1.1 על הוראות הפעלה אלו**

- קרא את הוראות ההפעלה האלה במלואן לפני השימוש הראשון. רק כך ניתן להבטיח עבודה בטוחה ונטולת תקלות.
- שים לב להוראות הבטיחות ולאזהרות שבהוראות הפעלה אלה ושעל המוצר.
- שמור את הוראות ההפעלה תמיד בצמוד למוצר, ואם אתה מעביר את המוצר לאדם אחר, צרף תמיד את הוראות ההפעלה האלה.

**1.2 הסבר הסימנים**

**1.2.1 אזהרות**

האזהרות מזהירות מפני סכנות בשימוש במוצר. במדריך זה מופיעות מילות המפתח הבאות:

**⚠ סכנה**

**! סכנה**

◀ מציינת סכנה מיידית, המובילה לפציעות גוף קשות או למוות.

**⚠ אזהרה**

**! אזהרה**

◀ מציינת סכנה אפשרית, שיכולה להוביל לפציעות גוף קשות או למוות.

**⚠ זהירות**

**! זהירות**

◀ מציינת מצב שעלול להיות מסוכן ולהוביל לפציעות גוף או לנזקים לרכוש.

**1.2.2 סמלים במסמך זה**

הסמלים הבאים מופיעים בתיעוד זה:

קרא את הוראות ההפעלה לפני השימוש	
הנחיות לשימוש ומידע שימושי נוסף	
טיפול נכון בחומרים למיחזור	
אין להשליך לפסולת הביתית מכשירים חשמליים וסוללות	

**1.2.3 סמלים באיורים**

הסמלים הבאים משמשים באיורים:

מספרים אלה מפנים לאיור המתאים בתחילת חוברת ההוראות	<b>2</b>
המספרים באיורים משקפים את רצף הפעולות, והם עשויים להיות שונים מרצף הפעולות המצוינות בטקסט	3
מספרי הפריטים מופיעים באיור <b>סקירה</b> ותואמים את המספרים במקרא בפרק <b>סקירת המוצר</b>	<b>11</b>
סימן זה אמור לעורר את תשומת לבך המיוחדת בעת השימוש במוצר.	

**1.3 סמלים ספציפיים למוצר**

**1.3.1 סמלים על המוצר**

הסמלים הבאים עשויים להופיע על המוצר:

מהירת להב בסרק	$n_0$
----------------	-------



זרם ישר	===
המוצר תומך בתעבורת נתונים אלחוטי, המתאימה לשימוש עם פלטפורמות iOS ו-Android.	
סוללת ליתיום-יון	Li-Ion
סדרת דגמי סוללות ליתיום-יון של Hilti שבשימוש. שים לב לנתונים בפרק שימוש בהתאם לייעוד.	
לעולם אין להשתמש בסוללה כפטיש.	
אין להפיל את הסוללה. אין להשתמש בסוללה שנחבטה או שניזוקה באופן אחר.	

#### 1.4 מידע על המוצר

המוצרים של **HILTI** מיועדים למשתמש המקצועי, ורק אנשים מורשים, שעברו הכשרה מתאימה, רשאים לתפעל, לתחזק ולתקן אותם. אנשים אלה חייבים ללמוד באופן מיוחד את הסכנות האפשריות. המוצר המתואר והעדרים שלו עלולים להיות מסוכנים כאשר אנשים שלא עברו הכשרה מתאימה משתמשים בהם באופן לא מקצועי או כאשר משתמשים בהם שלא בהתאם לייעוד. שם הדגם והמספר הסידורי מצוינים על לוחית הדגם.

רשום את המספר הסידורי בטבלה הבאה. ציין את המידע הזה בכל פנייה שלך לנציגים או למחלקת השירות שלנו בקשר למוצר זה.

#### נתוני המוצר

SJD 6-A22	מסור אנכי פנדל
01	דור
	מס' סידורי

#### 1.5 הצהרת תאימות

אנו מצהירים באחריותנו הבלעדית כי המוצר המתואר כאן תואם את התקנות והתקנים התקפים. בסוף תיעוד זה ישנו צילום של הצהרת התאימות.

התיעוד הטכני שמור כן:

Hilti Entwicklungsgesellschaft mbH | Zulassung Geräte | Hiltistraße 6 | 86916 Kaufering, Germany

## 2 בטיחות

### 2.1 הוראות בטיחות כלליות לכלי עבודה חשמליים

**⚠ אזהרה קרא את כל הוראות הבטיחות, ההנחיות, האיומים והנתונים הטכניים המצורפים לכלי העבודה החשמלי.** אי ציות להנחיות עלול להוביל להתחשמלות, לשרפה ו/או לפציעות קשות.

**שמור את כל הוראות הבטיחות וההנחיות לעיון בעתיד.**

המונח "כלי עבודה חשמלי" המשמש בהוראות הבטיחות מתייחס לכלי עבודה חשמליים המחוברים לרשת החשמל (עם כבל חשמל) או לכלי עבודה חשמליים המופעלים באמצעות סוללה נטענת (ללא כבל חשמל).

#### בטיחות במקום העבודה

שמור על אזור העבודה שלך כקי וזג לתאורה מספקת. חוסר סדר או תאורה לקויה במקום העבודה עלולים לגרום לתאונות.

אין להפעיל את כלי העבודה החשמלי בסביבה שקיימת בה סכנת פיצוץ או שישנם בה בחלים, גזים או אבק דליקים. כלי עבודה חשמליים יוצרים ניצוצות, שעלולים להצית את האבק או האדים.

הרחק ילדים ואנשים אחרים מכלי העבודה החשמלי במהלך השימוש בו. אם דעתך תוסח אתה עלול לאבד את השליטה במכשיר.

#### בטיחות בחשמל

תקע החשמל של כלי העבודה החשמלי חייב להתאים לשקע החשמל. אסור לשבות בשום אופן את תקע החשמל. אל תשתמש בשקע מתאם ביחד עם כלי עבודה חשמליים הכוללים הגנת הארקה. שימוש בתקעים חשמליים שלא עברו שינוי ושקעי חשמל מתאימים מפחית את הסיכון להתחשמלות.

מנע מגע של הגוף בשטחים מוארקים כגון צינורות, גופי חימום, תנורים ומקררים. קיימת סכנה גבוהה להתחשמלות כאשר הגוף שלך מוארק.

הרחק כלי עבודה חשמליים מגשם או רטיבות. חדירת מים לכלי העבודה החשמלי מגדילה את הסיכון להתחשמלות.



- ◀ אל תשתמש בכבל החשמל למטרות שלא לשמן הוא נועד, לדוגמה: אל תרים את כלי העבודה החשמלי באמצעות הכבל ואל תנסה לנתק את התקע משקע החשמל במשיכה מהכבל. הרחק את הכבל מחום, שמן, פיכות חדות או מחלקים נעים. כבלים שניזוקו או שהסתבכו בחלקים אחרים מגדילים את הסיכון להתחשמלות.
- ◀ כאשר אתה עובד עם כלי העבודה החשמלי בחוץ, השתמש רק בכבל מאריך המיועד לשימוש חיצוני. שימוש בכבל מאריך המתאים לשימוש חיצוני מפחית את הסיכון להתחשמלות.
- ◀ אם לא ניתן להימנע משימוש בכלי העבודה החשמלי בסביבה לחה, השתמש במסמר פחת. השימוש במסמר פחת מפחית את הסיכון להתחשמלות.

**בטיחות של אנשים**

- ◀ היה ערבי, שים לב למה שאתה עושה, ופעל בתבונה כאשר אתה עובד עם כלי עבודה חשמלי. אל תפעיל כלי עבודה חשמליים כשאתה עייף או תחת השפעת סמים, אלכוהול או תרופות. די ברגע אחד של חוסר תשומת-לב בזמן השימוש בכלי העבודה החשמלי כדי לגרום פציעות קשות.
- ◀ לבש תמיד ציוד מגן ומשקפי מגן. לבישת ציוד מגן אישי, כגון מסכת אבק, נעלי בטיחות מונעות החלקה, קסדת מגן או מגני שמיעה – בהתאם לסוג השימוש בכלי העבודה החשמלי – מקטינה את הסיכון לפציעות.
- ◀ מנע הפעלה בשוגג. ודא שכלי העבודה החשמלי כבוי לפני שאתה מחבר אותו לאספקת החשמל ו/או לפני שאתה מחבר את הסוללה ולפני הרמתו. אל תניח את אצבעך על המתג בזמן שאתה נושא את המכשיר ואל תחבר אותו לאספקת החשמל כאשר הוא מופעל, אחרת עלולות להיגרם תאונות.
- ◀ הרחק כלי כוונון או מפתחות ברגים לפני שאתה מפעיל את כלי העבודה החשמלי. כלי עבודה או מפתחות הנמצאים בקרבת חלקים מסתובבים עלולים לגרום פציעות.
- ◀ הימנע מתכונות גוף לא נכונות. עמוד באופן יציב ושומר תמיד על שיווי משקל. כך תוכל לשלוט טוב יותר בכלי העבודה החשמלי במצבים לא צפויים.
- ◀ לבש בגדים מתאימים. אל תלבש בגדים רחבים או תכשיטים. הרחק את השער, הבגדים וכפפות מחלקים נעים. בגדים ורופים, תכשיטים ושיער ארוך עלולים להיתפס בחלקים נעים.
- ◀ כאשר ייתכן להתקין התקני שאיבת אבק ולכידה יש לזווד שהם מחוברים לחשמל, יש להקפיד להשתמש בהם בצורה נכונה. שימוש בהתקן שאיבת אבק מקטין את הסכנות הנובעות מהאבק.
- ◀ אל תהיה שאנן בנושא בטיחות ואל תתעלם מהוראות בטיחות של כלי עבודה חשמליים, גם אם השתמשת במכשיר פעמים רבות ואתה מכיר אותו היטב. התנהגות רשלנית עלולה להוביל לפציעות קשות בתוך שניות.

**שימוש וטיפול בכלי העבודה החשמלי**

- ◀ אל תפעיל עומס רב מדי על המכשיר. השתמש בכלי העבודה החשמלי המתאים לעבודה שאתה מבצע. כלי העבודה החשמלי המתאים מבטיח לך עבודה טובה ובטוחה יותר בתחום ההספק הנקוב.
- ◀ אל תשתמש בכלי העבודה אם המתג שלו אינו תקין. כלי עבודה חשמלי שלא ניתן עוד להפעיל או לכבות אותו מהווה סכנה ויש לתקנו.
- ◀ נתק את תקע החשמל מהשקע ו/או הסר את הסוללה לפני שאתה מבצע כוונונים במכשיר, מחליף כלים או לאחר שאתה מפסיק לעבוד עם המכשיר. אמצעי זהירות זה מונע הפעלה בשוגג של כלי העבודה החשמלי.
- ◀ שמור כלי עבודה חשמליים שאינם בשימוש הרחק מהישג ידם של ילדים. אל תאפשר לאנשים שאינם יודעים כיצד להשתמש במכשיר או שלא קראו את ההוראות להשתמש במכשיר. כלי עבודה חשמליים הם מסוכנים כאשר משתמשים בהם אנשים חסרי ניסיון.
- ◀ טפל בכלי עבודה חשמליים ובאביזרים בהקפדה. בדוק אם החלקים הנעים פועלים בצורה חלקה ואינם נתקעים, אם ישנם חלקים שבורים או מקולקלים המשבשים את הפעולה התקינה של כלי העבודה החשמלי. לפני השימוש במכשיר דאג לתיקון חלקים לא תקינים. תאונות רבות נגרמו עקב תחזוקה לקויה של כלי עבודה חשמליים.
- ◀ שמור על כלי החיתוך חדים ונקיים. כלי חיתוך מטופלים היטב, שלהביהם חדים נתקעים פחות וקלים יותר לתפעול.
- ◀ השתמש בכלי העבודה החשמלי, ובאביזרים, בכלי העבודה הנוספים וכן הלאה בהתאם להוראות אלה. התחשב בתנאי העבודה ובפעולה שעליך לבצע. שימוש בכלי העבודה החשמלי למטרות אחרות מאלה שלשמן הוא מיועד עלול להיות מסוכן.
- ◀ שמור על ידיות ואזורי אחיזה נקיים מלכלוך משומן ומגריז. ידיות ואזורי אחיזה חלקים אינם מאפשרים תפעול בטוח ושליטה טובה בכלי העבודה החשמלי במצבים לא צפויים.

**שימוש וטיפול בכלי עבודה בטענים**

- ◀ טען את הסוללות רק במטענים שהומלצו על ידי היצרן. טעינה של סוללה במטען המיועד לטעינה של סוללות מסוג אחר עלולה לגרום לשרפה.
- ◀ השתמש לשם כך רק בסוללות המתאימות לכלי העבודה החשמלי. שימוש בסוללות אחרות עלול לגרום לשרפות.
- ◀ שמור סוללות שאינן בשימוש הרחק ממהדי ביר משרדיים, ממטבעות, מפתחות, מסמרים, ברגים או חפצים מתכתיים קטנים אחרים שיכולים לגשר בין המגעים. קצר בין מגעי הסוללה עלול לגרום לכוויות או לשרפה.
- ◀ שימוש שגוי עלול לגרום לדליפת נוזלים מהסוללה. אל תיגע בנוזלים אלה. אם נגעת בהם במקרה, שטוף את האזור במים. אם הנוזל נוגע בעיניים, פנה לרופא. נחל סוללות שדלף עלול לגרום לגירויים בעור ולכוויות.
- ◀ אין להשתמש בסוללה ששונתה או שניזוקה. סוללות שניזוקו או שנערכו בהן שינויים עשויות להגיב בצורה לא צפויה ולגרום לשרפה, לפיצוץ ולפציעות.
- ◄ אין לחשוף סוללות לאש או לטמפרטורות גבוהות. אש או טמפרטורות גבוהות מ-130°C (265°F) עלולות לגרום לפיצוץ.
- ◄ ציית לכל ההנחיות הנובעות לטעינה, ואף פעם אל תטען את הסוללה או את הכלי עם הסוללה בסביבה שהטמפרטורה בה נמצאת מחוץ לטווח המצויין בהוראות ההפעלה. טעינה שגויה או טעינה בטמפרטורה שנמצאת מחוץ לטווח המצויין בהוראות ההפעלה עלולה להרוס את הסוללה ולהגביר את הסיכון לשרפה.



- ◀ **דאג לתיקון כלי העבודה החשמלי שלך רק בידי טכנאים מוסמכים, המשתמשים בחלקי חילוף מקוריים בלבד.** כך תבטיח שמירה על בטיחות העבודה במכשיר.
- ◀ **אל תטפל בעצמך בסוללות שניזוקו.** רק היצרן או מעבדה מורשית מטעמו רשאים לטפל בסוללות.

## 2.2 הוראות בטיחות לניסור באמצעות להב המתנודד מצד לצד

- ◀ **אחד בכלי העבודה החשמלי במקומות האחיזה המבודדים כאשר אתה מבצע עבודות שבהן כלי העבודה עלול לפגוע בקווי חשמלי מוסתרים.** מגע בקווים המוליכים זרם עלול להעביר זרם גם לחלקים מתכתיים במכשיר שלך ולגרום להתחשמלות.
- ◀ **יש להדק את כלי העבודה למשטח יציב, באמצעות כליבות או באופן אחר.** כשמחזיקים את החלק ביד בלבד או רק מצמידים אותו לגוף, הוא נותר לא יציב, מה שעלול להוביל לאובדן השליטה בחלק.

## 2.3 הוראות בטיחות נוספות

### בטיחות של אנשים

- ◀ השתמש במכשיר רק בתנאי שהוא נמצא במצב טכני מושלם.
- ◀ אל תבצע בשום אופן מניפולציות או שינויים במכשיר.
- ◀ שמור על ידיות האחיזה בקיאות ויבשות.
- ◀ במהלך השימוש במכשיר יש לחבוש משקפי מגן, מגני שמיעה וללבוש כפפות הגנה.
- ◀ לבש כפפות מגן בעת החלפת כלי. מגע בכלי עלול לגרום לפציעות ולכוויות.
- ◀ השתמש במגני עיניים. שבבי חומר שניתדים עלולים לפצוע את הגוף והעיניים.
- ◀ אין להביט ישירות לתאורה (זל) ואין להאיר ישירות לפניהם של אנשים אחרים. סכנת סנוור.
- ◀ בדוק לפני תחילת העבודה את דירוג הסכנה של אבק החומר שבו תעבוד. השתמש בשואב אבק מקצועי בעל דירוג הגנה מאושר, התואם את תקנות החוק הנוגעות להגנה מאבק.
- ◀ דאג לאוויר טוב במקום העבודה, ובמקרה הצורך לבש גם מסכת נשימה המתאימה לסוג האבק שבו אתה עובד. נגיעה בסוגי אבק אלה או שאיפתם עלולה לגרום לתגובות אלרגיות ו/או למחלות בכלי הנשימה של המשתמש או של אנשים הנמצאים בקרבת מקום. סוגי אבק מוסימים, כגון אבק של אלון או בוק, נחשבים מסרטנים, במיוחד בשילוב עם חומרים אחרים המשמשים לטיפול בעץ (כרוםט, חומר הגנה לעץ). רק מומחים רשאים לעבוד בחומרים המכילים אסבסט.
- ◀ ערוך הפסקות בעבודה ותרגילים לשיפור זרימת הדם לאצבעות. הרעידות מהמכשיר עשויות לאחר עבודה ממושכת לגרום להפרעות בכלי הדם או במערכת העצבים של האצבעות, כפות הידיים או שורשי כף היד.

### בטיחות בחשמל

- ◀ לפני תחילת העבודה יש לבדוק אם ישנם בכלי חשמל, צינורות גז או מים נסתרים. חלקים מתכתיים חיצוניים במכשיר יכולים לגרום להתחשמלות אם הם פוגעים בשוגג בקווי חשמל.

### טיפול ושימוש קפדניים בכלי עבודה חשמליים

- ◀ הדק את החלק שבעבודה. חלק המהוקק באמצעות התקן הידוק או מלחציים מוחזק בצורה טובה יותר מאשר רק באמצעות הידיים.

### הנחיות בטיחות מיוחדות למסורים אנכיים

- ◀ כשמנסרים יש להוליך את המסור תמיד מהגוף הלאה.
- ◀ לעולם אין להחזיק את הידיים לפני להב המסור או על להב המסור.
- ◀ אין לחתוך חומרים שאינם מוכרים לך ויש לוודא שנתיב החיתוך מלמעלה ומלמטה פנוי.
- ◀ אל תחזיק את החלק שבעבודה מלמטה בזמן הניסור.

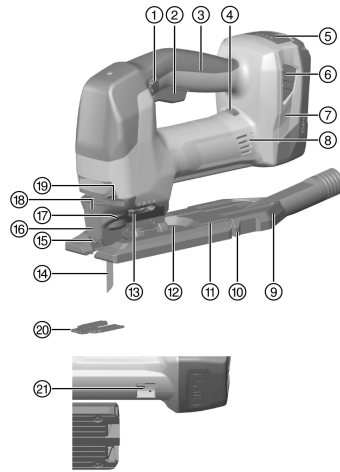
## 2.4 טיפול ושימוש קפדניים בסוללות נטענות

- ◀ ציית לתקנות הנוגעות להובלה, אחסון והפעלה של סוללות נטענות מסוג ליתיום-יון.
- ◀ הרחק את הסוללות ממקומות חמים מאוד, מקרינת שמש ישירה ומאש.
- ◀ אין לפרק, למעוך, לחמם לטמפרטורה גבוהה מ-80°C (176°F) או לשרוף את הסוללות הנטענות.
- ◀ אין להשתמש או לטעון סוללות שקיבלו מכה, שנפלו מגובה גבוה ממטר או שניזוקו באופן אחר. במקרה כזה יש ליצור קשר עם השירות של Hilti.
- ◀ אם הסוללה חמה כל כך שלא ניתן לגעת בה, ייתכן שהיא אינה תקינה. הנח את הסוללה במקום לא דליק, גלוי, רחוק מפיסקי מחומרים דליקים. אפשר לסוללה להתקרר. אם כעבור שעה הסוללה עדיין חמה מדי לנגיעה, אד היא פגומה. צור קשר עם השירות של Hilti.



3.1 סקירת המוצר

- ① לחצן נעילה
- ② מתג הפעלה/כיבוי
- ③ ידית אחיזה
- ④ גלגל לכוונון מהירות הלהב
- ⑤ חיווי רמת טעינת הסוללה
- ⑥ לחצן שחרור סוללה
- ⑦ סוללה
- ⑧ חריצי אוורור
- ⑨ מתאם שאיבה
- ⑩ וו נעילה
- ⑪ לוחית בסיס
- ⑫ סקאלה לכוונון זווית החיתוך
- ⑬ מנוף לכוונון פונקציית הפנדל
- ⑭ להב מסור
- ⑮ מגן להב
- ⑯ חופת הגנה
- ⑰ תפסנית
- ⑱ נורית לד
- ⑲ מנוף לשחרור להב המסור
- ⑳ מגן קריעת סיבים
- ㉑ אספקת חשמל עבור מודול האבק SJD DRS-6A (אביזר)



3.2 שימוש בהתאם ליעוד

המוצר המתואר זהו מסור אנכי פנדל נטען, בשליטה ידנית. הוא מיועד לניסור של פלסטיק, עץ ומתכת כמו גם לוחות גבס וסיביט. המוצר מצויד בצוואר לחיבור שואב אבק אופציונלי, המתאים לצינורות שואבי האבק הנפוצים. לצורך חיבור צינור השאיבה יש צורך לעתים במתאם.

- ◀ השתמש עבור מוצר זה רק בסוללות ליתיום יון של Hilti מסדרת הדגמים B 22.
- ◀ השתמש עבור סוללה זו רק במטענים של Hilti מהסדרה C4/36.
- ◀ עבור מוצר זה יש להשתמש רק בלהבי מסור בעלי קנה T (קנה עם זיז אחד).

3.3 שימוש שגוי אפשרי

- אסור להשתמש במוצר לניסור ענפים וגזעים.
- אסור להשתמש במוצר לעיבוד חומרים מסוכנים לבריאות.
- אסור להשתמש במוצר לעבודה בסביבה לחה.
- ◀ שמור על אספקת המתח עבור מודול האבק הרחק ממהדקי נייר משרדיים, ממתכות, מפתחות, מסמרים, ברגים או חפצים מתכתיים קטנים אחרים שיכולים לגשר בין המגעים. קצר בין המגעים עלול לגרום לכוויות או לשרפה.

3.4 חיווי רמת טעינה

לחיצה קלה (עד שמרגישים את ההתנגדות) על לחצן השחרור תציג את מצב הטעינה של סוללות הליתיום-יון.

מחצית	משמעות
4 נוריות מאירות.	רמת טעינה: 75% עד 100%
3 נוריות מאירות.	רמת טעינה: 50% עד 75%
2 נוריות מאירות.	רמת טעינה: 25% עד 50%
נורית אחת מאירה.	רמת טעינה: 10% עד 25%
נורית אחת מבהבת.	רמת טעינה: > 10%





בזמן שמתג ההפעלה לחוץ וכן במשך 5 השניות הראשונות לאחר שחרור מתג ההפעלה לא ניתן לברר את רמת הטעינה של הסוללה. אם נוריות חיווי רמת הטעינה של הסוללה מהבהבות, ראה בבקשה את ההנחיות בפרק פתרון תקלות.



### 3.5 מנגנון סילוק שבבים

מנגנון סילוק השבבים נושב זרם אוויר על להב המסור, כדי לנקות את אזור החיתוך משבבים.

### 3.6 מהירות להב

אפשר לכוונן את מהירות הלהב באמצעות הגלגל. מצב 1 משמעו 800 מהלכים בדקה ומצב 6 משמעו 3000 מהלכים בדקה. בהתאם לעוצמת הלחיצה על מתג ההפעלה/כיבוי הלהב מתחיל לנוע החל ממהירות של 75 מהלכים לדקה, ומגביר מהירות עד לערך שכוונן באמצעות הגלגל.

### 3.7 פנדל 4 דרגות

פונקציית הפנדל ב-4 דרגות מאפשרת להתאים את הספק החיתוך ואיכות החיתוך לחומר שבו עובדים. למנוף לכוונן פונקציית הפנדל ישנן 4 דרגות. ככל שהחיתוך צריך להיות מדויק ונקי יותר, כך יש לכוונן דרגת פנדל נמוכה יותר. מומלץ לערוך כמה ניסיונות כדי לקבוע מהי דרגת הפנדל הטובה ביותר לעבודה.

מצב	משמעות
דרגה 0	ללא פונקציית פנדל
דרגה 1	פנדל נמוך
דרגה 2	פנדל בינוני
דרגה 3	פנדל גבוה

### 3.8 לחצן נעילה

לכפתור הנעילה ישנם שלושה מצבים.

- העמדה האמצעית היא המצב הרגיל: כפתור הנעילה בולט משני הצדדים. במצב זה אפשר לדוגמה לכוונן את מהירות הלהב. אפשר ללחוץ על מתג ההפעלה/כיבוי ולעזוב אותו.
- כפתור הנעילה בולט בצד שמאל בלבד: עמדת הובלה (המכשיר אינו יכול להתחיל לנוע). מתג ההפעלה/כיבוי נעול, אי אפשר ללחוץ עליו.
- כפתור הנעילה בולט מצד ימין בלבד: לאחר הפעלת המכשיר (לחיצה מלאה על מתג ההפעלה/כיבוי), אפשר לדחוף את כפתור הנעילה ימינה כדי לנעול את המתג במצב "מופעל". כדי לשחרר את הנעילה יש ללחוץ מחדש את מתג ההפעלה/כיבוי.

### 3.9 מגן קריעת סיבים

אפשר לחבר למכשיר מגן למניעת קריעת סיבים. מגן קריעת הסיבים מונע את הקריעה של פני השטח של החלק בעת ניסור חומרים עם עץ.

### 3.10 כיבוי אוטומטי של המכשיר

אם מתג ההפעלה/כיבוי נלחץ ברציפות למשך יותר מ-15 דקות (לדוגמה בעת הובלה או אחסון), המכשיר יכבה אוטומטית. כך נמנעת פריקה עמוקה של הסוללה.

### 3.11 מודול אבק SJD DRS-6A (אבזר)

מודול האבק SJD DRS-6A משמש כאבזר עבור המסור האנכי של Hilti דגם SJD 6-A22. הוא אוסף אחוז גבוה של האבק שנוצר במהלך העבודה, והוא מתחבר בקלות ובמהירות למסור האנכי. במודול האבק ישנו מאוורר יניקה. הוא מונע באמצעות מנוע נפרד. לאחר הפעלת המסור האנכי המודול מקבל את החשמל שלו מהסוללה של המסור האנכי. המודול אינו מתאים לעבודות בחומרים המכילים אסבסט, זכוכית וסיבי פחמן. אסור להשתמש במודול לאיסוף אבק או נסורת נפצים או לחים.

### 3.12 מפרט אספקה

מסור אנכי פנדל עם להב מסור, חופת הגנה, צוואר שאיבה, מגן למניעת קריעת סיבים, הוראות הפעלה, מפתח אלן. מוצרים נוספים המאושרים עבור המוצר שלכם תמצא במרכז שיווק של Hilti או באינטרנט בכתובת: [www.hilti.com](http://www.hilti.com)



## 4.1 מסור אנכי פנדל

<b>SJD 6-A22</b>	
21.6 וולט	מתח נקוב
3.2 ק"ג	משקל לפי EPTA Procedure 01 כולל סוללה B228.0
28 מ"מ	גובה מהלך להב
75 סל"ד ... 3,000 סל"ד	מהירות להב בסרק (n)
150 מ"מ	הספק חיתוך מרבי בעץ
25 מ"מ	הספק חיתוך מרבי באלומיניום
10 מ"מ	הספק חיתוך מרבי בפלדה לא מסוגגת
0° ... 45°	זווית חיתוך (שמאל/ימין)
27.5 מ"מ	קוטר חיצוני צוואר שאיבה
70 °C ... -20 °C	טמפרטורת אחסון
60 °C ... -17 °C	טמפרטורת סביבה בעבודה
45 °C ... -10 °C	טמפרטורת הסוללה בתחילת הטעינה
40 °C ... -20 °C	טמפרטורת אחסון
60 °C ... -17 °C	טמפרטורת סביבה בעבודה

## 4.2 ערכי רעש לפי EN 62841

ערכי לחץ הקול והרעידות המצוינים בהוראות אלה נמדדו בהתאם לנוהל המדידה התקני, וניתן להשתמש בהם לצורך השוואה בין כלי עבודה חשמליים. הם מתאימים גם להערכה זמנית של העומסים.

הנתונים המצוינים תקפים לשימושים העיקריים בכלי העבודה החשמלי. אולם אם משתמשים בכלי העבודה החשמלי לשימושים אחרים, בשילוב אביזרים אחרים או אם המכשיר אינו עובר תחזוקה מספקת, הנתונים עשויים להשתנות. בעקבות זאת פריסת העומסים למשך זמן העבודה כולו עשויה להיות גבוהה באופן משמעותי.

לצורך הערכה מדויקת של העומסים יש לקחת בחשבון גם את הזמנים שבהם המכשיר כבוי או שבהם הוא פועל אך אינו בשימוש בפועל. בעקבות זאת פריסת העומסים למשך זמן העבודה כולו עשויה להיות נמוכה באופן משמעותי.

יש לקבוע הנחיות בטוחות נוספות להגנה על המשתמש מפני ההשפעות של קול ו/או רעידות, כגון: תחזוקה של כלי העבודה החשמלי ושל כלי העבודה המחבורים, שמירה על ידיים חמות, ארגון תהליכי העבודה.

ערכי רעש

<b>SJD 6-A22</b>	
98 dB(A)	רמת הספק קול ( $L_{WA}$ )
5 dB(A)	אי-ודאות ברמת הספק הקול ( $K_{WA}$ )
87 dB(A)	מפלס לחץ קול ( $L_{pA}$ )
5 dB(A)	אי-ודאות ברמת לחץ קול ( $K_{pA}$ )

ערכי רעידות כוללים

<b>SJD 6-A22</b>	
5.8 מ' /שב <sup>2</sup>	ערך רעידות בניסור לוחות עץ ( $a_{n,B}$ )
1.5 מ' /שב <sup>2</sup>	אי-ודאות בניסור שבבית (K)
5.6 מ' /שב <sup>2</sup>	ערך רעידות בניסור פחים ( $a_{n,M}$ )
1.5 מ' /שב <sup>2</sup>	אי-ודאות בניסור פחים (K)

## 5 סוללה

21.6 וולט	מתח עבודה עם סוללה בטענת
60 °C ... -17 °C	טמפרטורת סביבה בעבודה
40 °C ... -20 °C	טמפרטורת אחסון
45 °C ... -10 °C	טמפרטורת הסוללה בתחילת הטעינה



## ⚠ אזהרה

**סכנת פציעה עקב התחלת תנועה בשוגג!**

- ◀ לפני חיבור הסוללה ודא שהמוצר כבוי.
- ◀ הסר את הסוללה לפני שאתה מבצע כווננים כלשהם במכשיר או מחליף אביזרים.

ציית להוראות הבטיחות והאזהרות שבתייעוד זה ולא להצוינות על המוצר.

**6.1 טעינת סוללה**

1. קרא את הוראות ההפעלה של המטען לפני הטעינה.
2. ודא שהמגעים של הסוללה ושל המטען נקיים ויבשים.
3. טען את הסוללה במטען מאושר. ← עמוד 18

**6.2 חיבור הסוללה**

## ⚠ אזהרה

**סכנת פציעה עקב קצר או נפילת סוללה!**

- ◀ לפני חיבור הסוללה ודא שהמגעים של הסוללה ושל המוצר נקיים מגופים זרים.
- ◀ ודא תמיד שהסוללה תפוסה היטב.

1. טען את הסוללה למצב מלא לגמרי לפני השימוש הראשון.
2. דחף את הסוללה למוצר עד שאתה שומע אותה נבעלת.
3. ודא שהסוללה יושבת היטב.

**6.3 הסרת הסוללה**

1. לחץ על לחצני השחרור של הסוללה.
2. הסר את הסוללה מהמכשיר.

**6.4 הכנסת להב מסור 3**

1. הסר את הסוללה.
2. דחף את להב המסור (השיניים בכיוון החיתוך) אל התפסנית עד שהוא נתפס.
3. משוך את להב המסור כדי לוודא שהוא נעול במקומו.

**6.5 חיבור חופת ההגנה 4**

1. הסר את הסוללה.
2. דחף את חופת ההגנה מלפנים על המוצר, עד שהיא נתפסת.

אפשר לחבר את חופת ההגנה רק כאשר לוחית הבסיס נמצאת במצב רגיל (זווית אפס מעלות).

**6.6 התקנת מתאם השאיבה 5**

1. דחף את מתאם השאיבה מאחור בצורה אופקית אל לוחית הבסיס, עד ששני ווי הנעילה נתפסים.
2. חבר את הצינור של שואב האבק למתאם השאיבה.

**7 תפעול**

ציית להוראות הבטיחות והאזהרות שבתייעוד זה ולא להצוינות על המוצר.


**7.1 השתמש בשאיבת אבק**

**i** שאיבת האבק מפחיתה את זיהום האבק, מגדילה את הבטיחות בעבודה בזכות ראות טובה יותר של החתך ומונעת זיהום של אבק ונסורת במקום העבודה.

1. חבר את חופת ההגנה. ← עמוד 21
2. השתמש תמיד בשאיבת אבק כאשר אתה עובד למשך זמן ממושך בעץ או בחומרים שעלולים לגרום להיווצרות אבק רב.



1. חבר את הסוללה.

פונקציית בטיחות מבטיחה שהמכשיר לא יתחיל לפעול במצב שבו ראשית מפעילים את המכשיר ורק אז מחברים את הסוללה למכשיר. 


2. ודא שכפתור הנעילה נמצא בעמדה האמצעית.
  3. לחץ על מתג ההפעלה/כיבוי.
  4. כדי לנעול את המתג בעמדה "מופעל" יש לדחוף את כפתור הנעילה ימינה.
  5. כדי לשחרר את הנעילה יש ללחוץ שוב על מתג ההפעלה/כיבוי.
- ◀ כפתור הנעילה נע בחזרה לעמדה האמצעית.

**7.3 ניסור חודר במרכז החלק**

1. העבר את מנוף כוונן הפנדל לעמדה 0.
  2. הצב את המוצר עם הקצה הקדמי של לוחית הבסיס על החלק המיועד לניסור.
  3. החזק היטב את המוצר ולחץ על מתג ההפעלה/כיבוי.
  4. הצמד את המוצר היטב לחלק שבעבודה, ואז הקטן את הזווית לחלק כדי להחדיר את להב המסור בהדרגה.
  5. לאחר שחדרת לחלק שבעבודה הבא את המוצר לזווית עבודה רגילה.
- ◀ לוחית הבסיס מונחת במלואה על החלק.
6. נסר לאורך הסימון.

**7.4 כיבוי**

◀ שחרר את מתג ההפעלה/כיבוי.

כדי לנעול את המתג במצב "כבוי" יש לדחוף את כפתור הנעילה שמאלה. 

**8 פירוק**

**8.1 הסרת מתאם השאיבה 7**

1. דחף פנימה את שני ווי הנעילה.
2. נתק את מתאם השאיבה מלוחית הבסיס במשיכה אחורה.
3. נתק את הצינור של שואב האבק ממתאם השאיבה.

**8.2 הסרת חופת ההגנה 8**

1. הסר את הסוללה.
2. הטה מעט באלכסון את חופת ההגנה ומשוך אותה קדימה.

**8.3 הוצאת להב מסר 9**

**אזהרה** 

**סכנת פציעה.** הוצאה לא מבוקרת של להב המסור עשויה לגרום פציעות.  
 ◀ בעת הוצאת להב המסור יש להחזיק את המוצר כך שאף אדם או בעל חיים לא יוכל להיפגע מהמסור שנפלט החוצה.

1. הסר את הסוללה.
  2. הטה את מנוף שחרור הלהב הצדה עד הסוף.
- ◀ להב המסור משתחרר ונפלט החוצה.

**9 טיפול ותחזוקה**

**אזהרה** 

**סכנת פציעה כאשר הסוללה מחוברת!**  
 ◀ לפני ביצוע עבודות טיפול ותחזוקה כלשהן יש להקפיד להסיר את הסוללה!

**טיפול במוצר**

- הסר בזהירות לכלוך דבוק.



- אם ישנם, נקה את חריצי האוורור בזהירות בעזרת מברשת רכה ויבשה.
- נקה את גוף המכשיר רק באמצעות מטלית לחה מעט. אל תשתמש בחומרי טיפול המכילים סיליקון, מאחר שהם עלולים לפגוע בחלקי הפלסטיק.
- נקה את המגעים באמצעות מטלית נקייה ויבשה.

### טיפול בסוללות ליתיום-יון

- לעולם אין להשתמש בסוללה שחריצי האוורור שלה סתומים. נקה את חריצי האוורור בזהירות בעזרת מברשת רכה ויבשה.
- מנע חשיפת הסוללה לאבק ולכלוך שלא לצורך. בשום אופן אין לחשוף את הסוללה ללחות גבוהה (לדוגמה להטביל אותה במים או להניח אותה בגשם).
- אם הסוללה נרטבה מאוד, יש להתייחס אליה כאל סוללה פגומה. בודד אותה במיכל לא דליק ופנה לשירות של Hilti.
- שמועל על הסוללה נקייה משמן וגריד לא שייכים. אל תאפשר הצטברות מיותרת של לכלוך ואבק על הסוללה. נקה את הסוללה במטלית יבשה ורכה או במטלית נקייה ויבשה. אל תשתמש בחומרי טיפול המכילים סיליקון, מאחר שהם עלולים לפגוע בחלקי הפלסטיק.
- אל תיגע במגעים של הסוללה ואל תסיר מהמגעים גריד שהושם במפעל.
- נקה את גוף המכשיר רק באמצעות מטלית לחה מעט. אל תשתמש בחומרי טיפול המכילים סיליקון, מאחר שהם עלולים לפגוע בחלקי הפלסטיק.

### תחזוקה

- בדוק באופן סדיר את כל החלקים הגלויים כדי לאתר נזקים ולוודא שכל הרכיבים פועלים באופן תקין.
- אל תפעיל את המוצר אם ישנם נזקים ו/או תקלות. פנה מיד לשירות של Hilti כדי לתקן את המוצר.
- לאחר עבודות טיפול ותחזוקה יש להתקין בחזרה את כל ציוד ההגנה ולבדוק שהוא פועל בצורה תקינה.

לצורך הפעלה בטוחה של המכשיר יש להשתמש רק בחלקי חילוף וחומרים מתכלים מקוריים. את חלקי החילוף, החומרים המתכלים והאביזרים שאושרו על-ידי Hilti עבור המוצר שלך תמצא ב-Hilti Store שלך או בכתובת: [www.hilti.group](http://www.hilti.group)



### 9.1 ביקוי מתאם השאיבה

1. הסר את הסוללה.
2. הסר את מתאם השאיבה. ← עמוד 22
3. נקה את מתאם השאיבה.
4. בדוק שווי הנעילה תקינים.
5. התקן את מתאם השאיבה. ← עמוד 21

### 9.2 ביקוי להבי מסור

1. יש להסיר שרף באופן סדיר מלהבי המסור שבהם משתמשים.
2. הנח את להבי המסור למשך 24 שעות בכפס או בחומר להסרת שרף.

## 10 הובלה ואחסון של כלי עבודה נטענים וסוללות

### הובלה



#### התחלת פעולה בשוגג במהלך הובלה!

יש להוביל את המכשיר כשהסוללה מנותקת ממנו!

- הוצא את הסוללה/ות.
- לעולם אין להוביל את הסוללה בצורה חופשית בין עצמים לא ארוזים. בזמן ההובלה הסוללות צריכות להיות מוגנות מפני הכנות ונרעידות רבות וכן מבודדות מפני חומרים מוליכים כלהם או סוללות אחרות, כדי שלא ייווצר מגע בינן לבין מגעים של סוללות אחרות ועקב כך קצר. **שים לב לכללי ההובלה במדינתך בנוגע לסוללות.**
- אסור לשלוח סוללות בדואר. אם אתה רוצה לשלוח סוללות לא פגומות, פנה לשם כך לחברת משלוחים והובלות.
- בדוק אם ישנם נזקים במוצר ובסוללות לפני כל שימוש וכן לפני הובלה ארוכה.

### אחסון



#### נזק לא מכוון כשהסוללות פגומות או דולפות!

יש לאחסן את המכשיר כשהסוללה מנותקת ממנו!

- אחסן את המוצר והסוללות במקום קריר ויבש. שים לב לערכי הגבול של הטמפרטורה, כמצוין בתוכים הטכניים.
- אין לאחסן סוללות על המטען. הקפד להוציא את הסוללה מהמטען בסיום תהליך הטעינה.
- לעולם אין לאחסן סוללות בשמש, על מקורות חום או מאחורי זכוכית.
- אחסן את המוצר והסוללה הרחק מהישג ידם של ילדים או אנשים לא מורשים.



## 11 עזרה במקרה תקלה

אם מתרחשת תקלה שאינה מוסברת בטבלה זו או שאינך יכול לתקן בעצמך, פנה לשירות של Hilti.

תקלה	סיבה אפשרית	פתרון
להב המסור נופל החוצה.	להב המסור אינו נעול כהלכה.	<ul style="list-style-type: none"> <li>חזור על תהליך ההידוק.</li> <li>ודא שהתפסנית פתוחה לגמרי והקפד לדחוף את להב המסור כנגד ההתנגדות.</li> </ul>
	מערכת ההידוק מלוכלכת.	נקה את התפסנית.
אי אפשר להכניס את להב המסור.	מערכת ההידוק מלוכלכת.	נקה את התפסנית.
אי אפשר לכוונן את פונקציית הפנדל.	חריץ מנוף הפנדל מלוכלך.	נקה את החריץ של מנוף הפנדל.
פונקציית הפנדל אינה פועלת.	מנגנון הפנדל מלוכלך.	בדוק אם ישנו לכלוך באזור מזלג הפנדל, אם כן, סלק אותו.
	מנוף הפנדל נמצא בעמדה "0".	כוונן את הערך המבוקש.
הסוללה מתרוקנת מהר מהרגיל.	טמפרטורת סביבה נמוכה מאוד.	אפשר לסוללה להתחמם בהדרגה לטמפרטורת החדר.
הסוללה אינה נתפסת בצליל "קליק" ברור.	זידי הנעילה בסוללה מלוכלכים.	נקה את זידי הנעילה וחברי את הסוללה מחדש.
נורית אחת מהבהבת. המכשיר אינו פועל.	הסוללה התרוקנה.	החלף סוללה, וטען את הסוללה הריקה.
	הסוללה חמה מדי או קרה מדי.	אפשר לסוללה להתחמם או להתקרר בהדרגה לטמפרטורת החדר.
כל 4 הנוריות מהבהבות. המכשיר אינו פועל.	עומס יתר של המכשיר.	שחרר את מתג ההפעלה/כיבוי ולחץ עליו מחדש. כעת אפשר למכשיר לפעול כ-30 שניות בסל"ד סרק.
התחממות גבוהה של המוצר או הסוללה.	תקלה חשמלית	כבה מיד את המכשיר, הוצא את הסוללה, השגח עליה, אפשר לה להתקרר וצור קשר עם השירות של Hilti.

## 12 סילוק

### ⚠ אזהרה

**סכנת פציעה בעקבות סילוק לא תקין!** סכנה בריאותית מהשתחררות גדים ונודלים.

- אין לשלוח סוללות פגומות!
- כסה את החיבורים באמצעות חומר לא מוליך, כדי למנוע קצר.
- סלק סוללות כך שהן לא יוכלו להגיע לידיהם של ילדים.
- סלק את הסוללה ב-Hilti Store או פנה לחברת המיחזור האחראית.

🌱 המוצרים של Hilti מיוצרים בחלקם מגדול מחומרים ניתנים למיחזור. כדי שניתן יהיה למחזרם דרושה הפרדת חומרים מקצועית. במדינות רבות Hilti תקבל את המכשיר הישן שלך בחזרה לצורך מיחזור. פנה לשירות של Hilti או למשווק.

✗ אין להשליך כלי עבודה חשמליים, כלים אלקטרוניים וסוללות לפסולת הביתית!

## 13 RoHS (תקנה להגבלת השימוש בחומרים מסוכנים)

בקישורים הבאים תמצא את טבלת החומרים המסוכנים: [qr.hilti.com/r5212958](http://qr.hilti.com/r5212958)  
קישור לטבלת RoHS תמצא בסוף תיעוד זה, בצורת קוד QR.

## 14 אחריות יצרן

אם יש לך שאלות בנושא הנאי האחריות, אנא פנה למשווק Hilti הקרוב אליך.





RoHS qr.hilti.com/r5212958

## EC Declaration of Conformity | UK Declaration of Conformity



**Manufacturer:**  
**Hilti Corporation**  
Feldkircherstraße 100  
9494 Schaan | Liechtenstein

**UK Importer:**  
**Hilti (Gt. Britain) Limited**  
No. 1 Circle Square, 3 Symphony Park  
Manchester, England, M1 7FS

**SJD 6-22 (01)**

Serial Numbers: 1-9999999999

2006/42/EC | Supply of Machinery (Safety)  
Regulations 2008

EN 62841-1:2015

EN 62841-2-11:2016 + A1:2020

2014/30/EU | Electromagnetic Compatibility  
Regulations 2016

EN 55014-1:2021

EN 55014-2:2021

2011/65/EU | The Restriction of the Use of  
Certain Hazardous Substances in Electrical and  
Electronic Equipment Regulations 2012

Schaan, 01.04.2022

**Dr. Tahar Zrilli**  
Head of Quality and Process Management  
Business Area Electric Tools & Accessories

**Edward-Louis Przybyłowicz**  
Head of BU Power Tool & Accessories  
Business Area Electric Tools & Accessories



Hilti Corporation  
LI-9494 Schaan  
Tel.:+423 234 21 11  
Fax:+423 234 29 65  
[www.hilti.group](http://www.hilti.group)



2150253